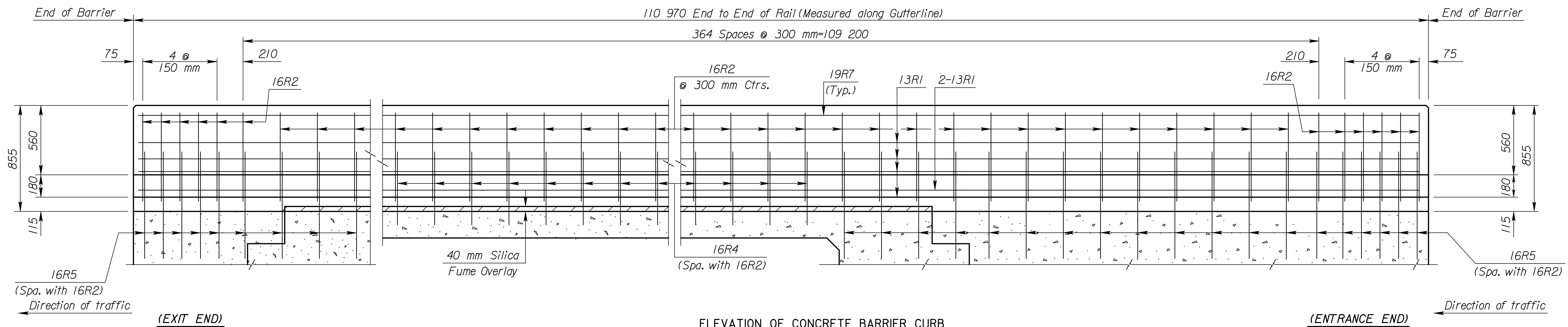
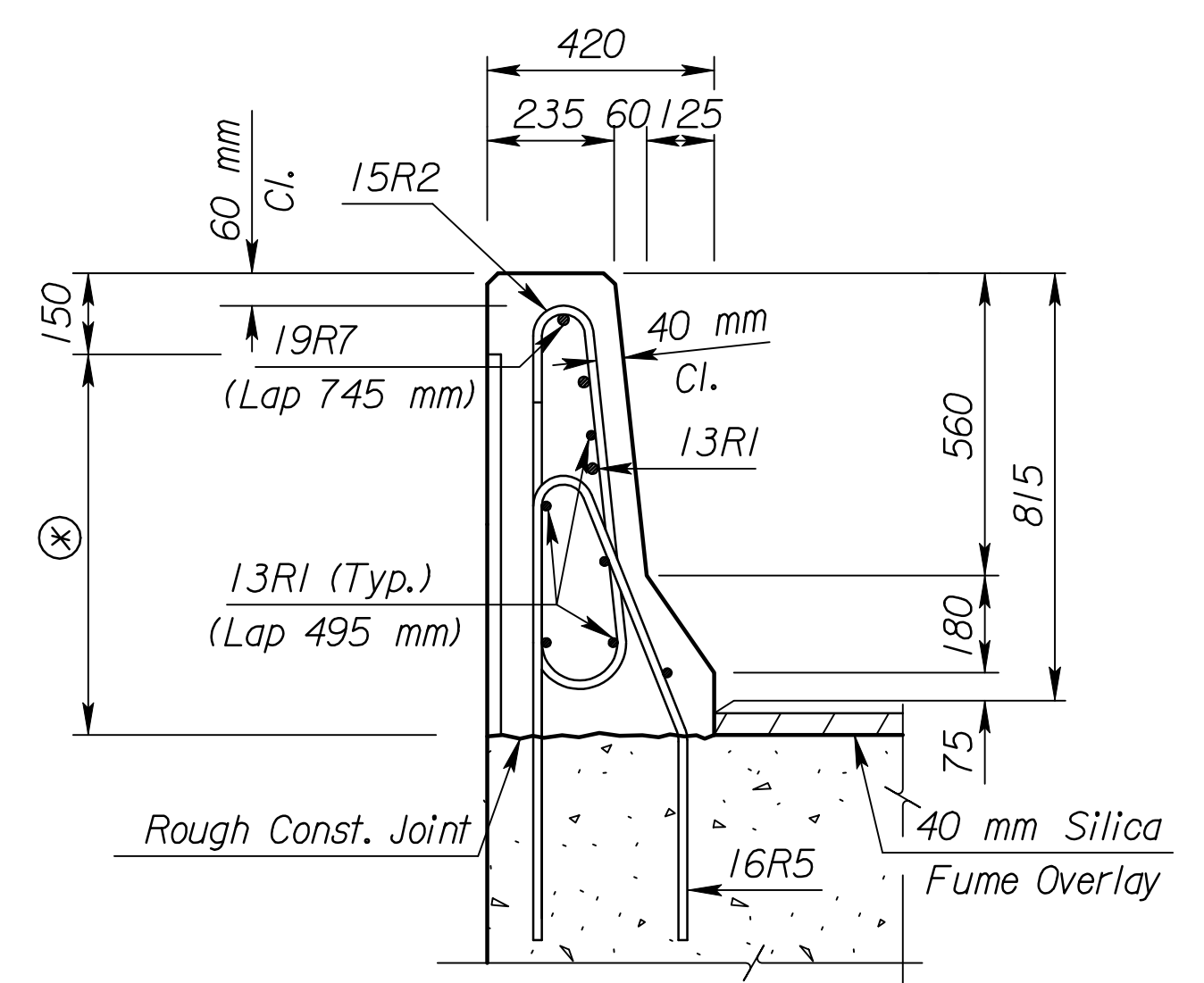


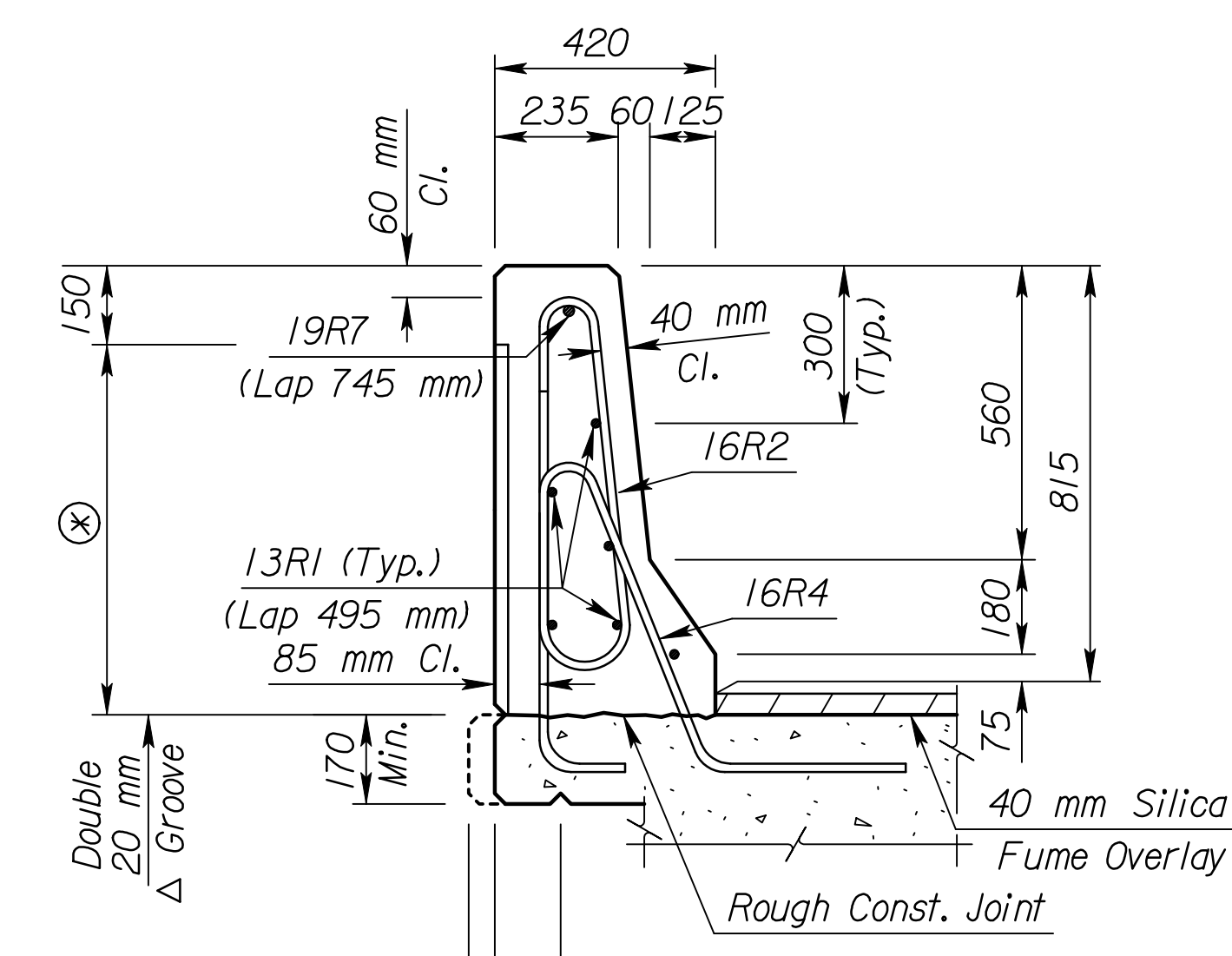
STATE	PROJECT NO.	YEAR	SHEET NO.	TOTAL SHEETS
KANSAS	54-87 K-6657-01	2002	526	1122



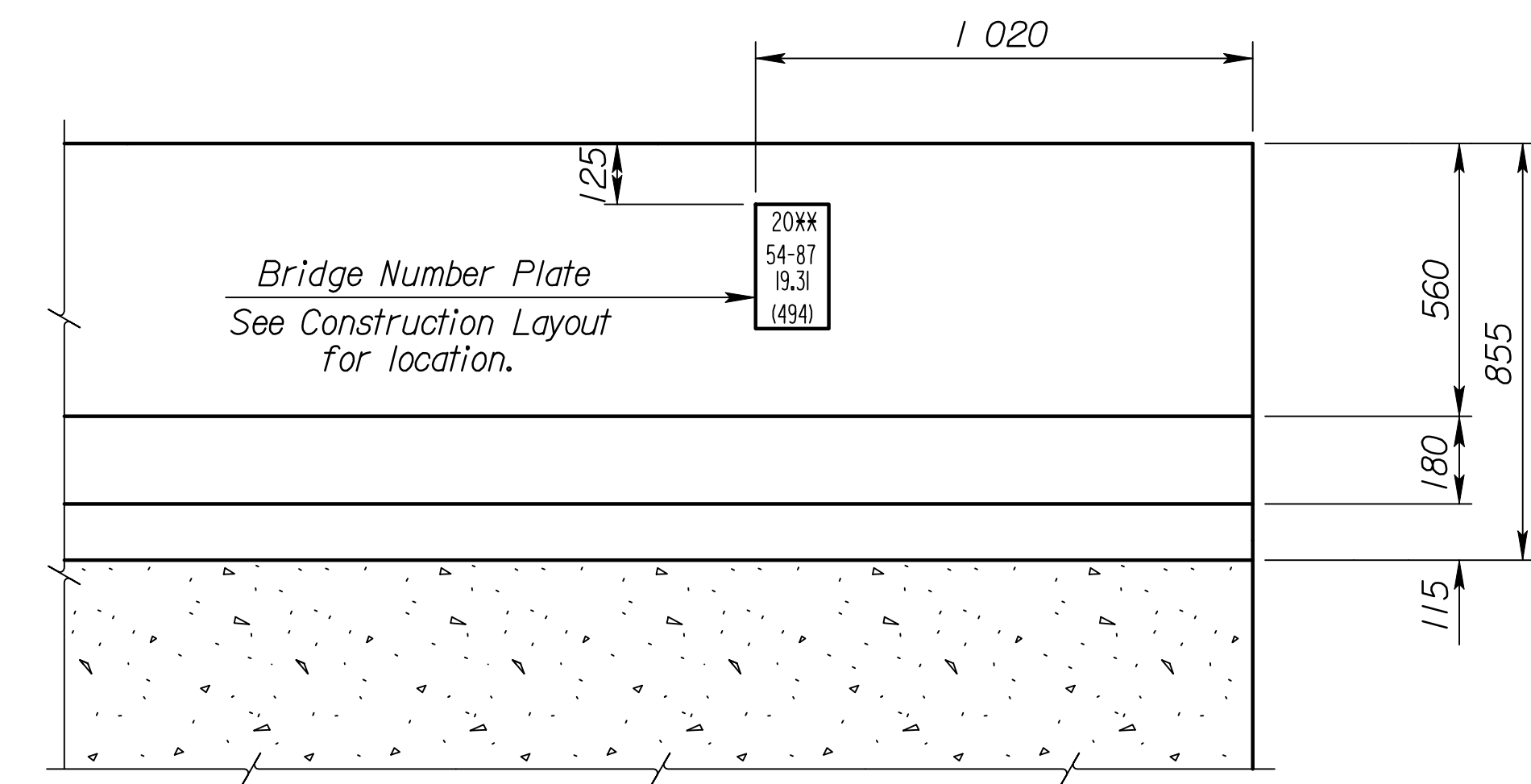
ELEVATION OF CONCRETE BARRIER CURB



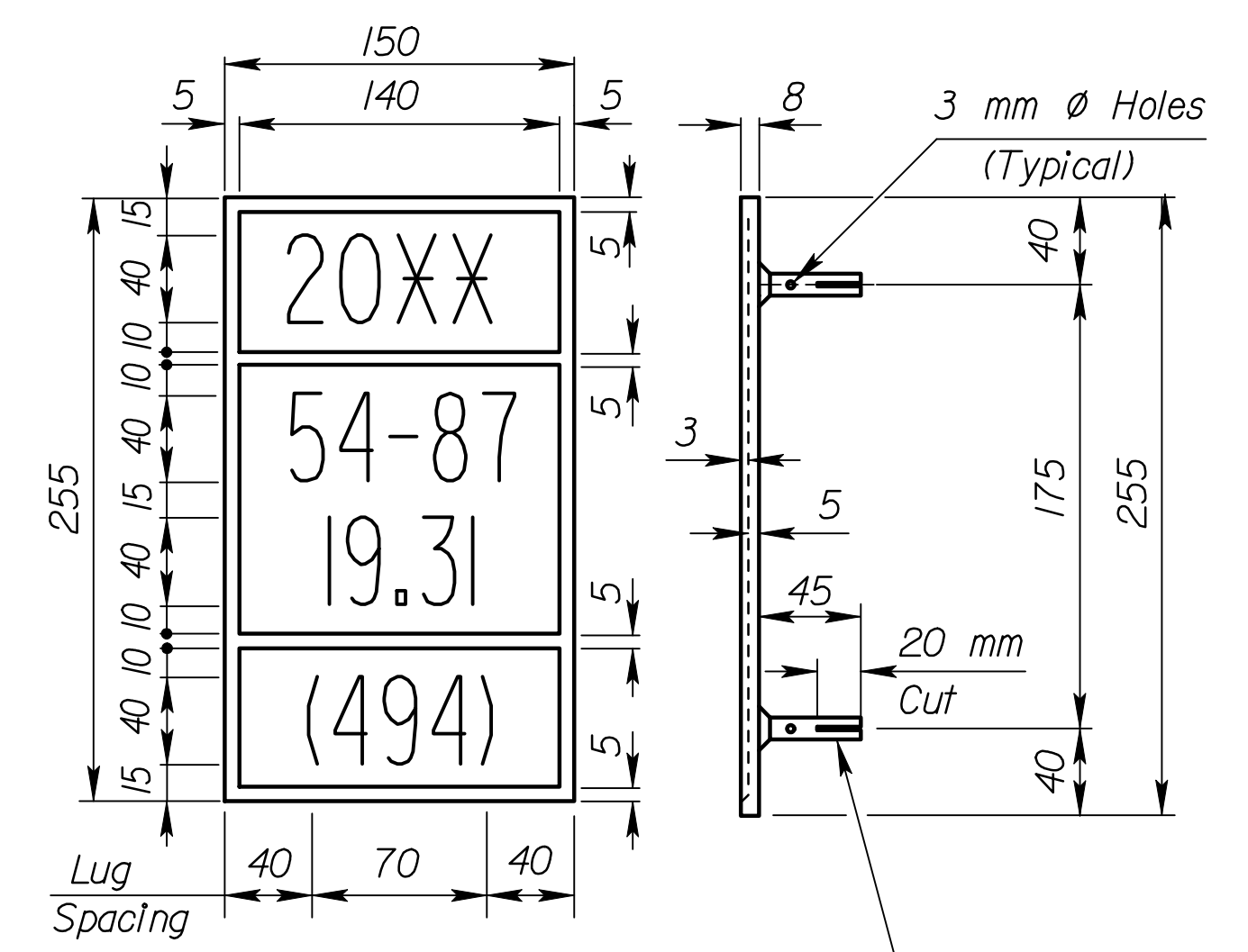
SECTION THRU BARRIER
EXIT TYPE END
(At abutment)



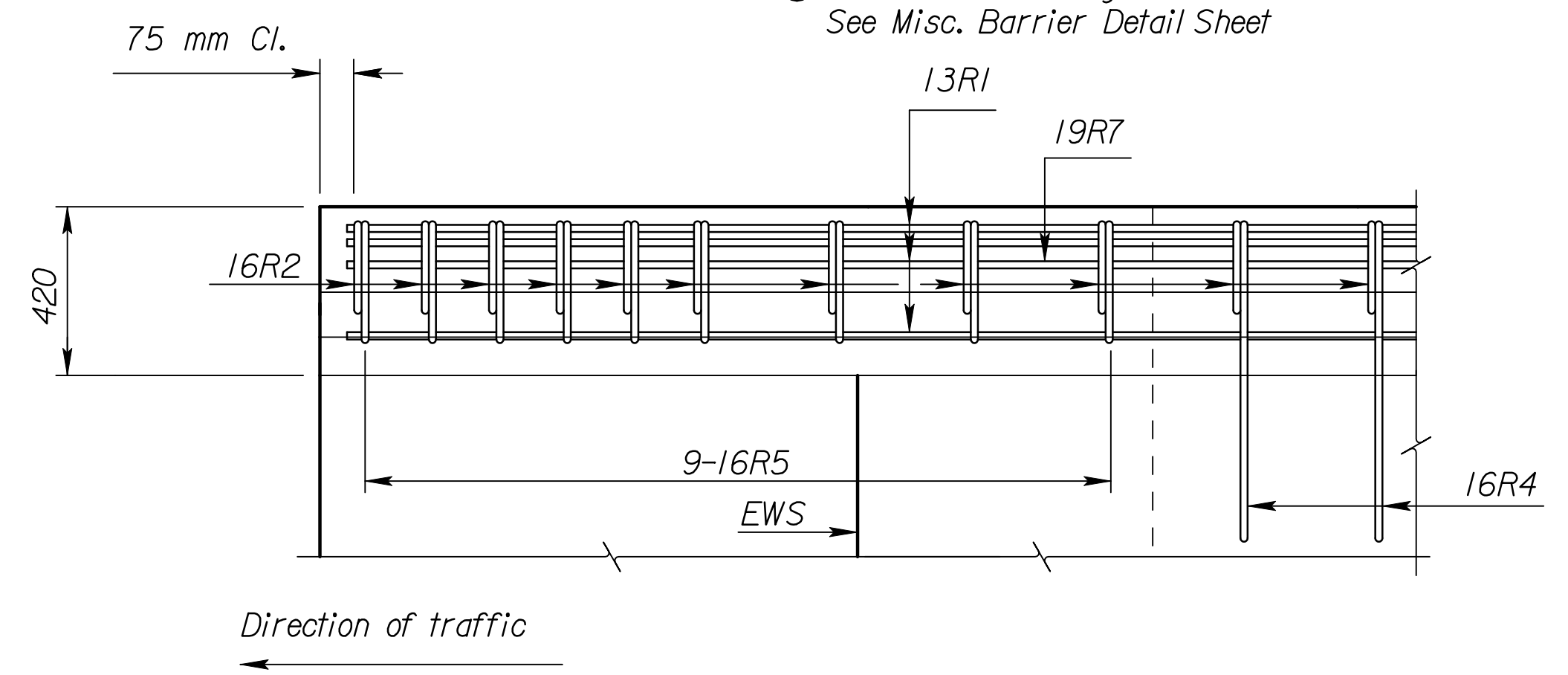
SECTION THRU BARRIER



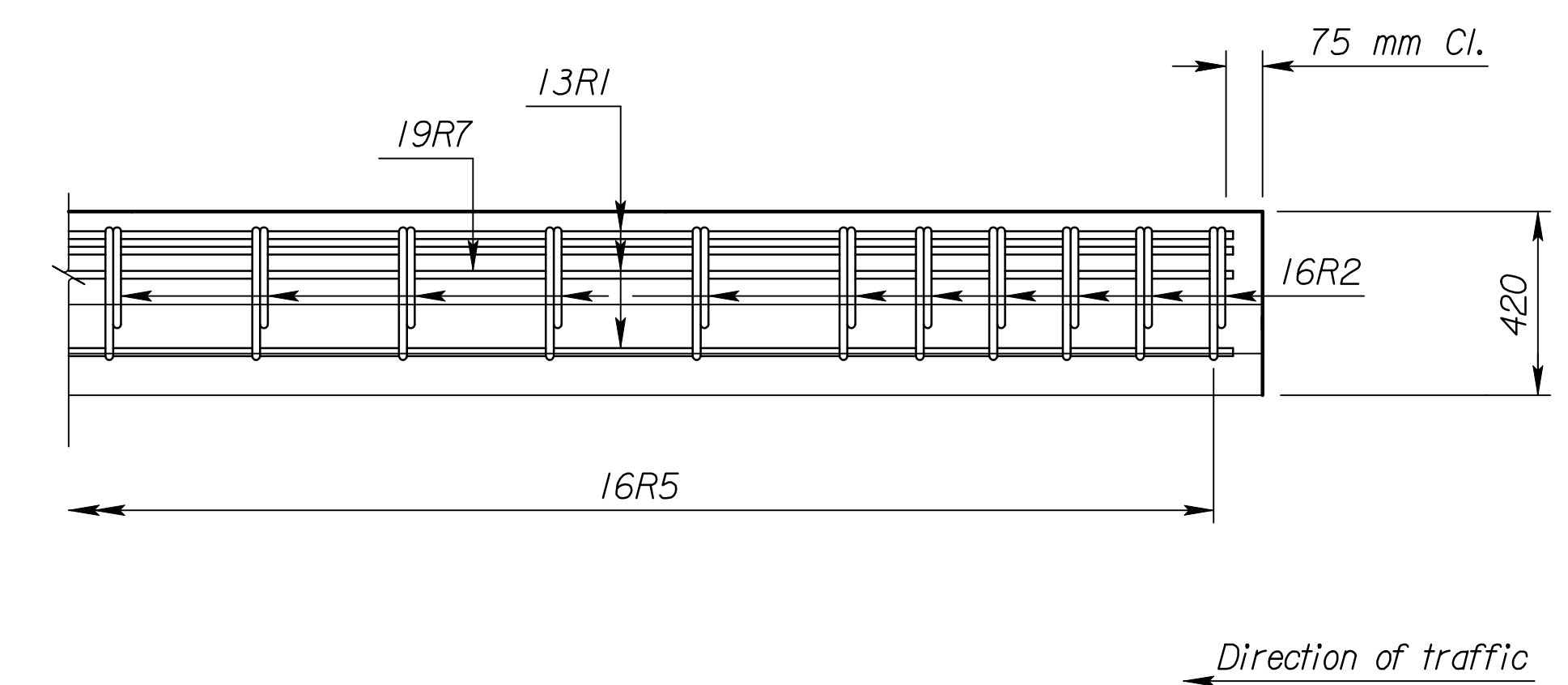
ELEVATION OF ENTRANCE TYPE END



** Year Bridge is Completed.
2-10 mm Ø Lugs @ 75 mm
Ctrs. (Top & Bottom)
BRIDGE NUMBER PLATE
(1 Required)
(See Construction Layout for Location)



PLAN OF EXIT TYPE END



PLAN OF ENTRANCE TYPE END

RECORD DRAWING

3				
2				
1	11-30-99	Current Release		
NO.	DATE	REVISIONS	BY	APP'D
CITY OF WICHITA				
Br. No. 54-87-19.31(494) W.B. Sta. 16+011.650				
815 mm Exterior Rail				
Sedgwick Co.				
SHEET NO.	OF	SCALE	APP'D	
DESIGNED		DETAILED	QUANTITIES	CADD
DESIGN CK.		DETAIL CK.	QUAN. CK.	CADD CK.

Scale: 1:2.5
 Plotted By: gdr
 Plot File: I:\1997\97362\As-Builts\cgrs\Vol.3\Sh.526-K00T-STD-WBMainlineExt.dgn
 Last Rev: 9-5-07
 By: gdr
 Plot Date: Sept. 07