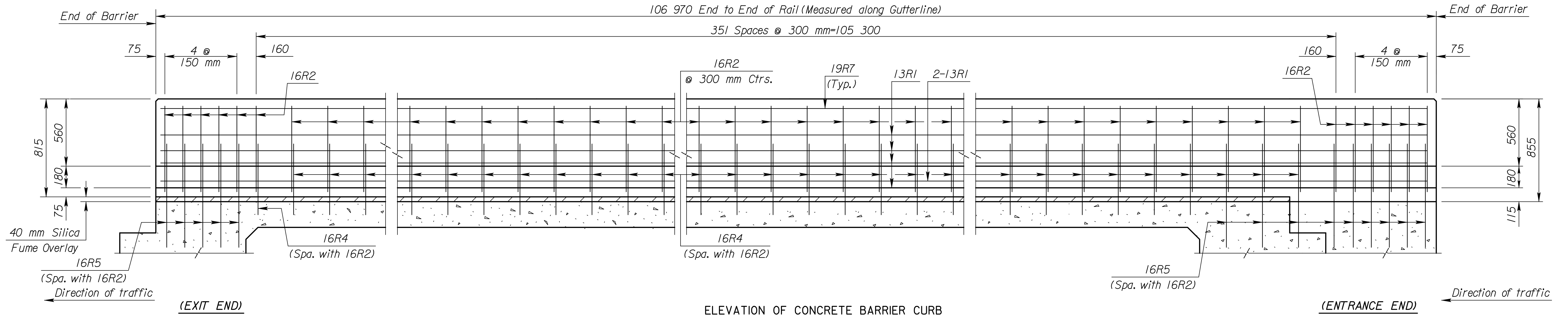
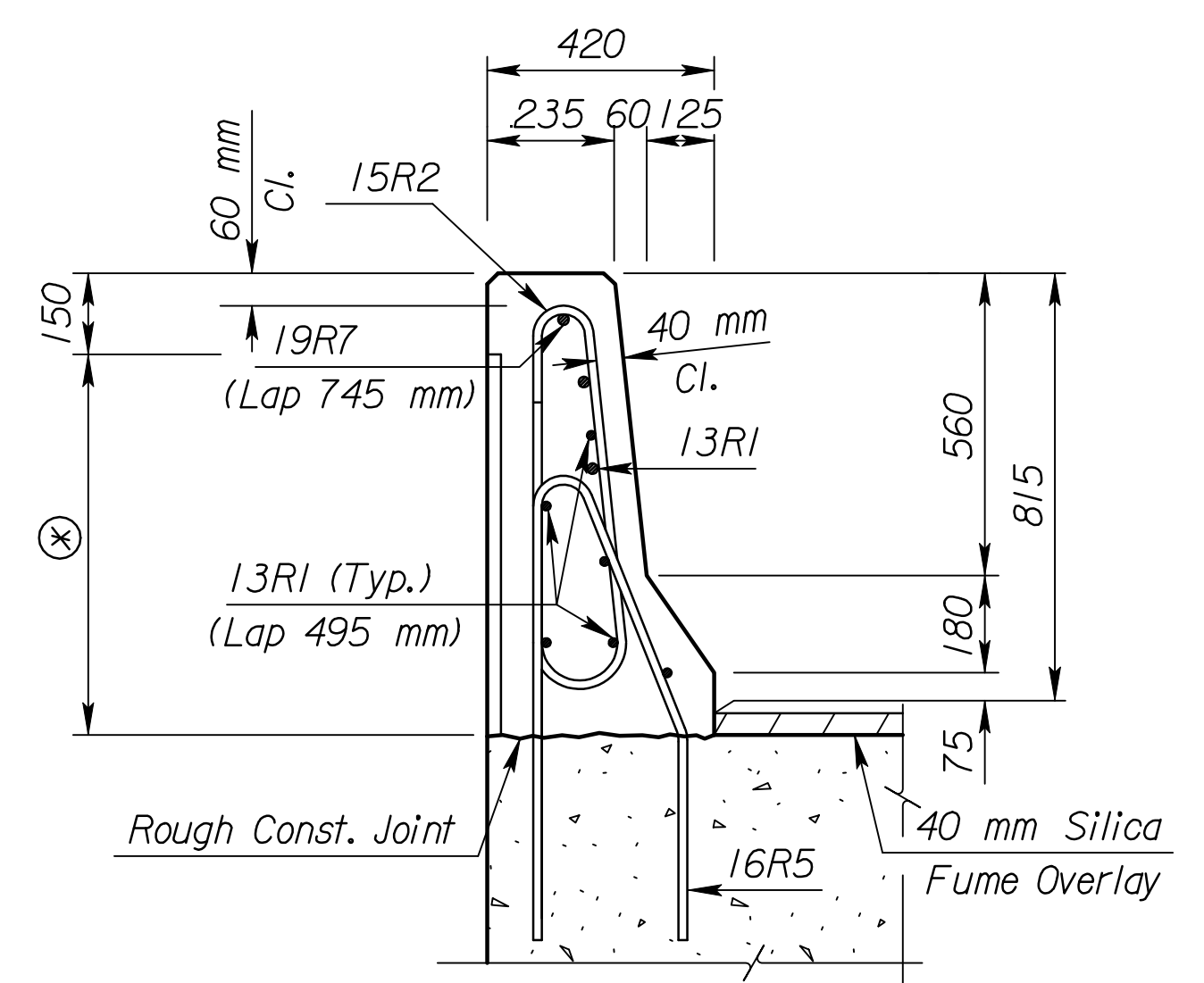


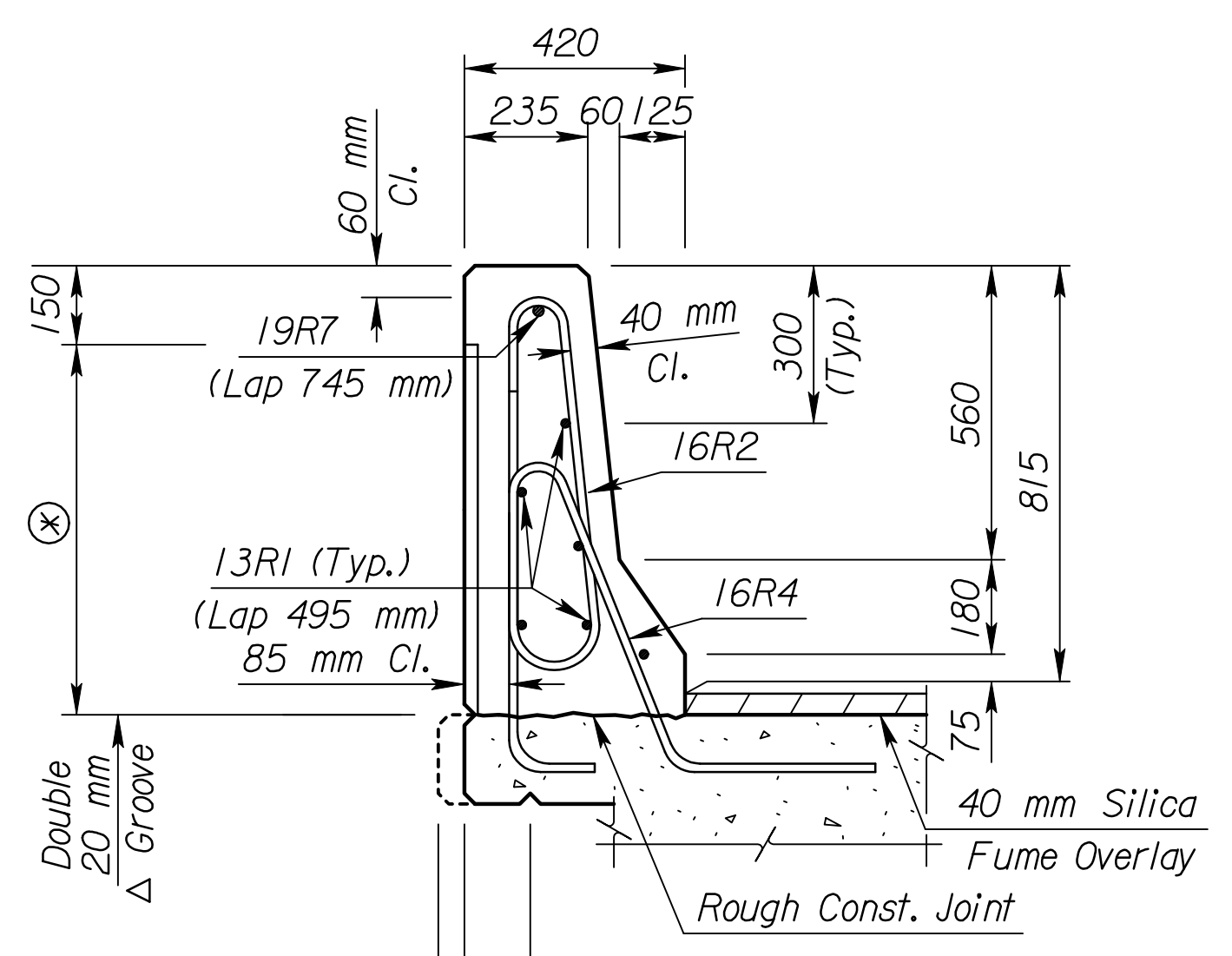
STATE	PROJECT NO.	YEAR	SHEET NO.	TOTAL SHEETS
KANSAS	54-87 K-6657-01	2002	528	1122



**ELEVATION OF CONCRETE BARRIER CURB**

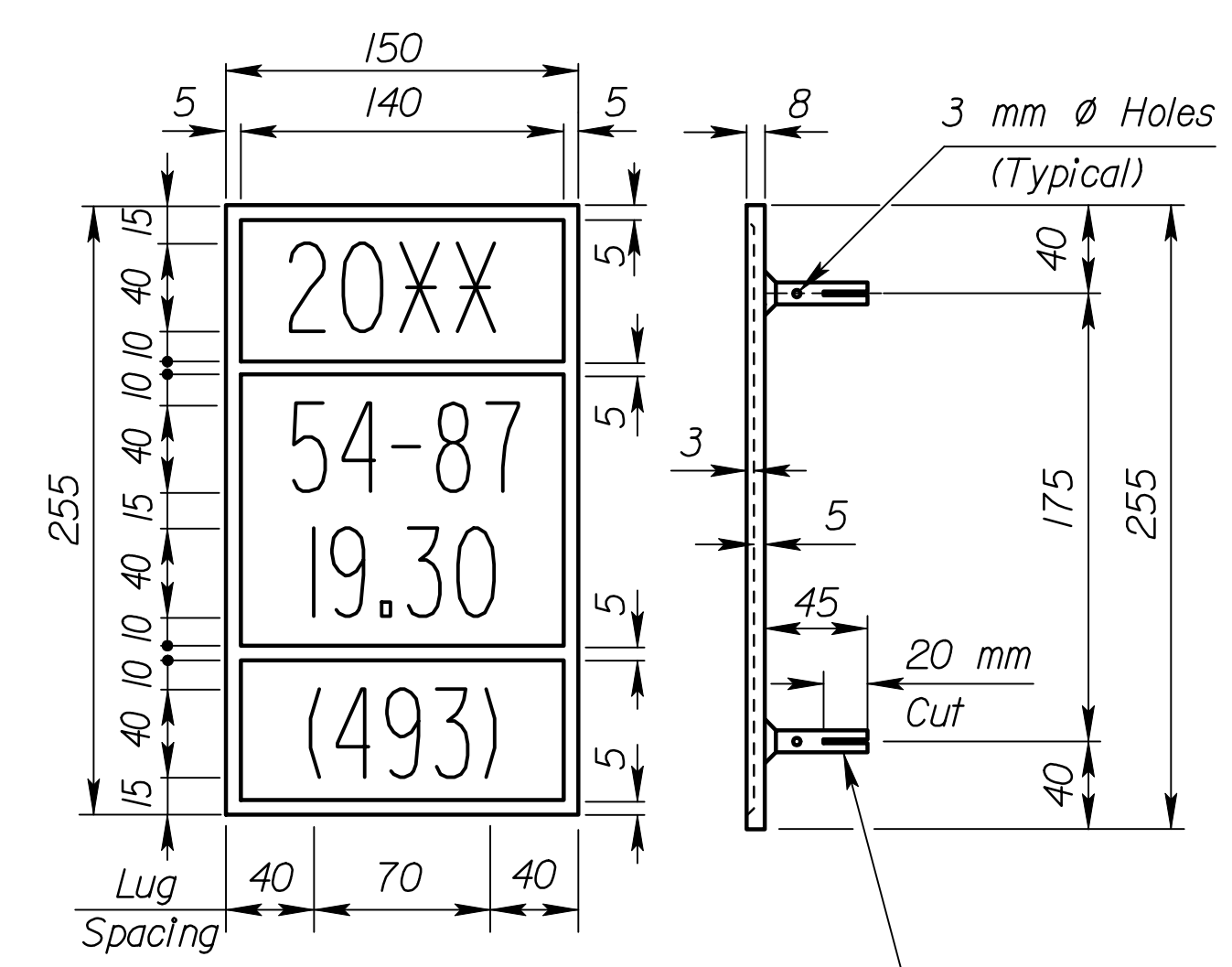


**SECTION THRU BARRIER  
EXIT TYPE END  
(At abutment)**

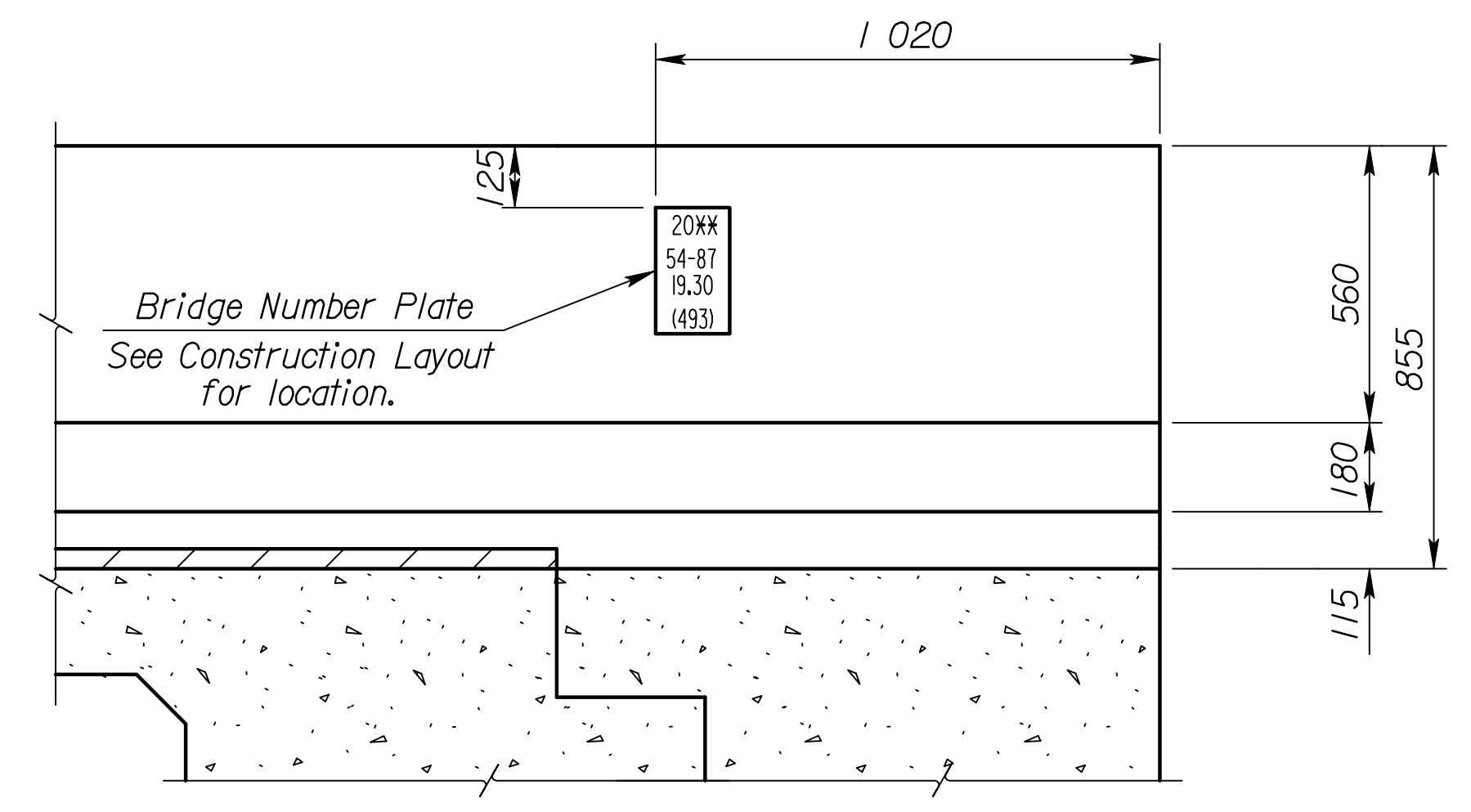


**SECTION THRU BARRIER  
ENTRANCE TYPE END**

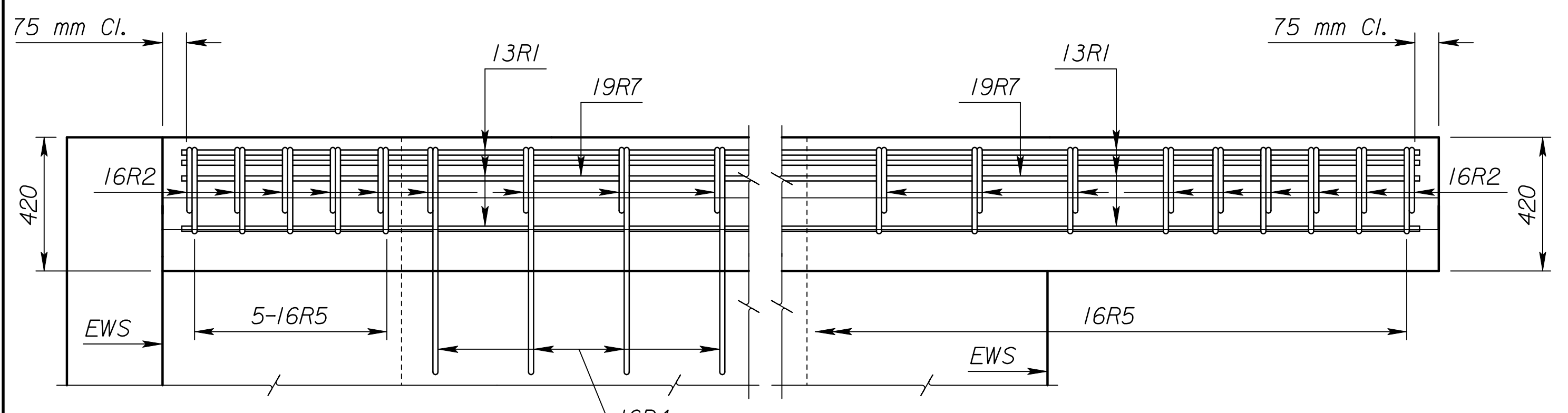
⊗ Barrier Texturizing  
See Misc. Barrier Detail Sheet



**BRIDGE NUMBER PLATE  
( 1 Required )  
(See Construction Layout for Location)**



**ELEVATION OF ENTRANCE TYPE END**



**PLAN OF EXIT TYPE END**

**PLAN OF ENTRANCE TYPE END**

Scale: 1:2.5  
 Plotted By: gdr  
 Plot File: I:\1997\97362\As-Builts\ dgn\Vol\_3\Sh\_528-KDOT STD-EB\MainlineExt.dgn  
 Last Rev: 9-5-07 By: gdr  
 Plot Date: Sept. 07

**RECORD DRAWING**

3				
2				
1	11-30-99	Current Release		
NO.	DATE	REVISIONS	BY	APP'D

**CITY OF WICHITA**  
 Br. No. 54-87-19.30(493) E.B. Sta. 16+011.650

815 mm Exterior Rail  
 Sedgwick Co.

SHEET NO.	OF	SCALE	APP'D
DESIGNED	QUANTITIES	DETAILED	CADD
DESIGN CK.	DETAIL CK.	QUAN. CK.	CADD CK.