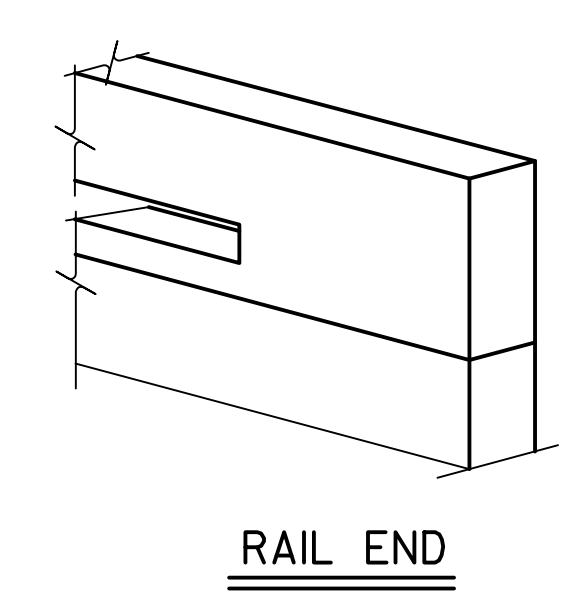
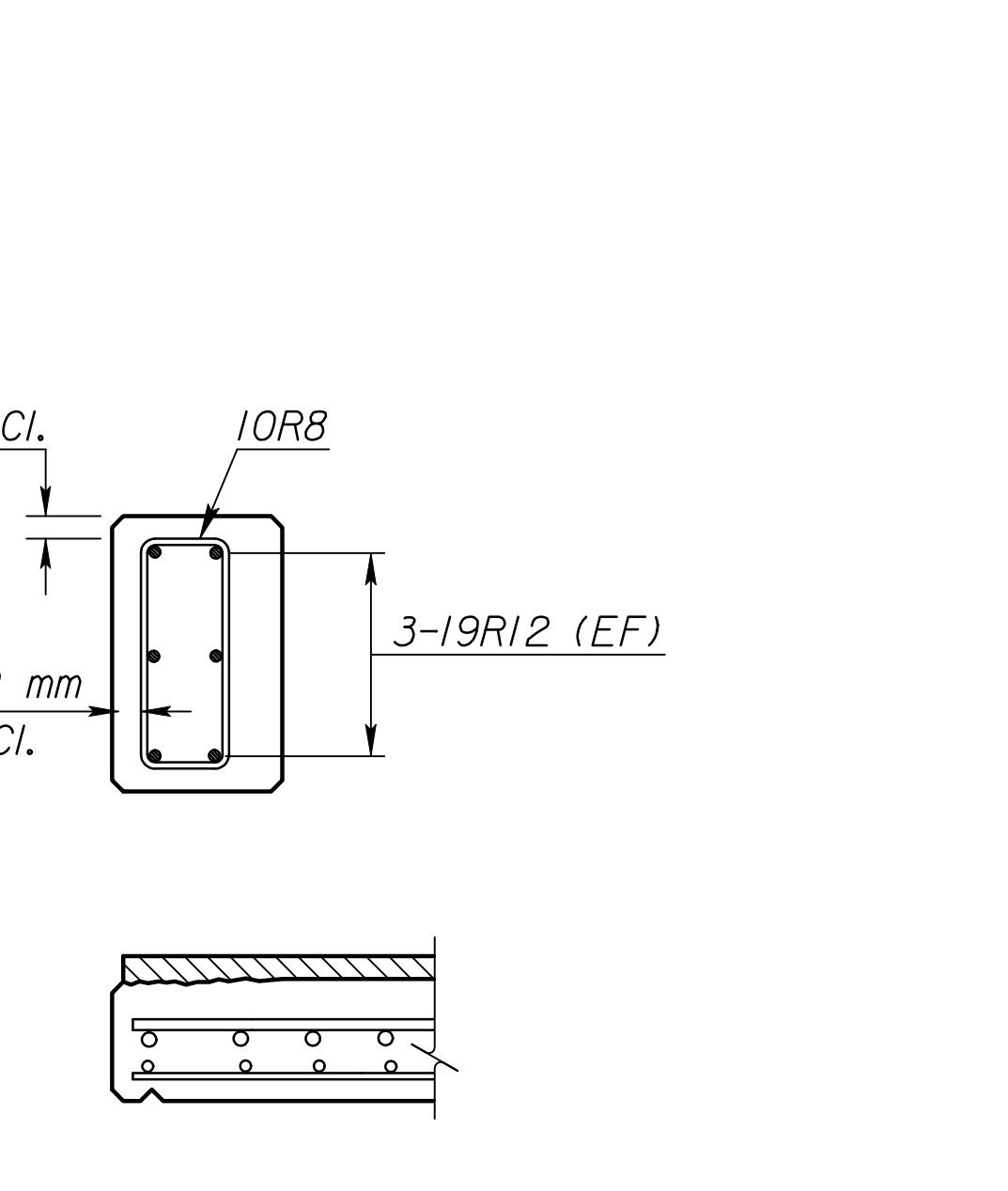
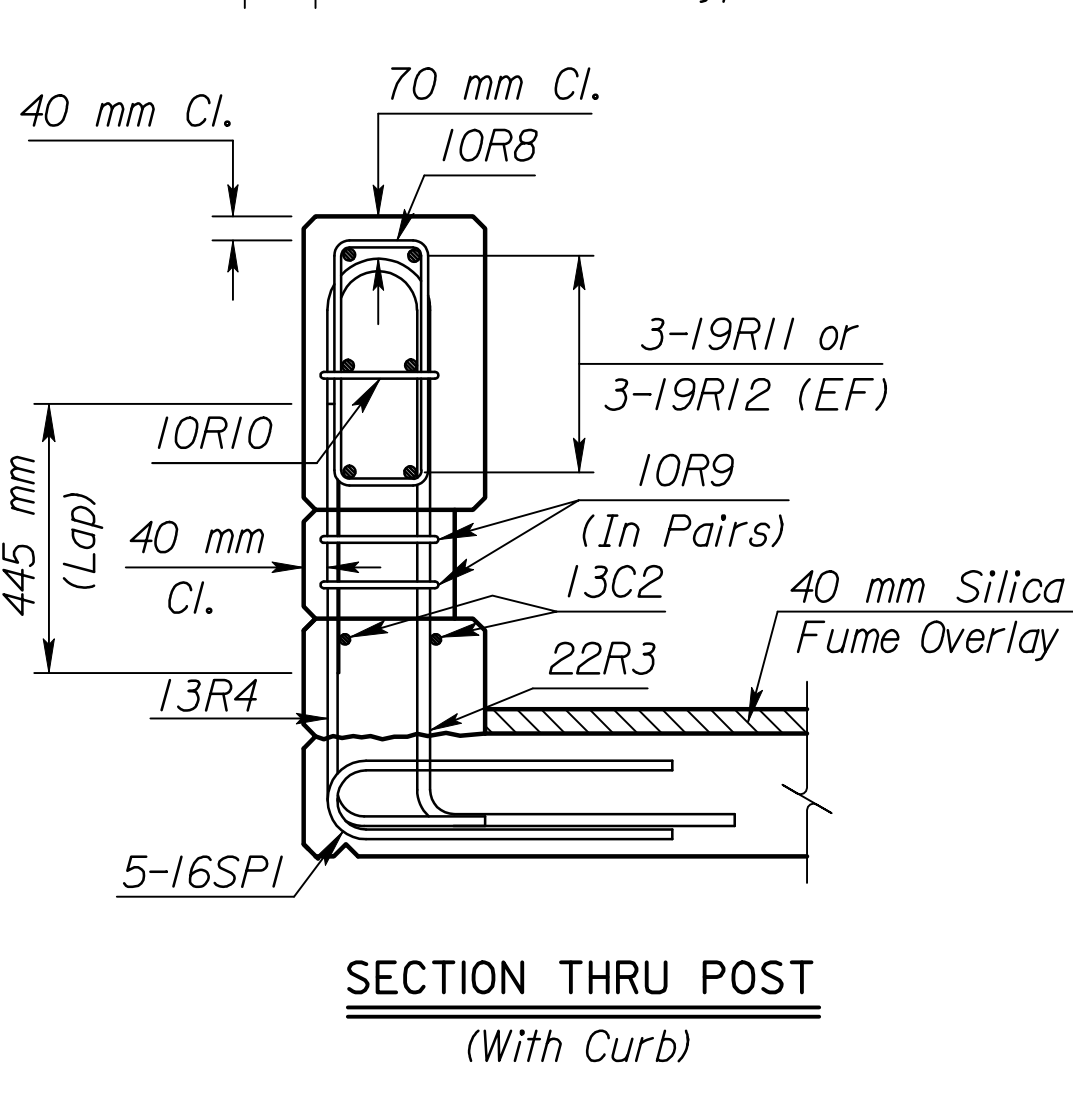
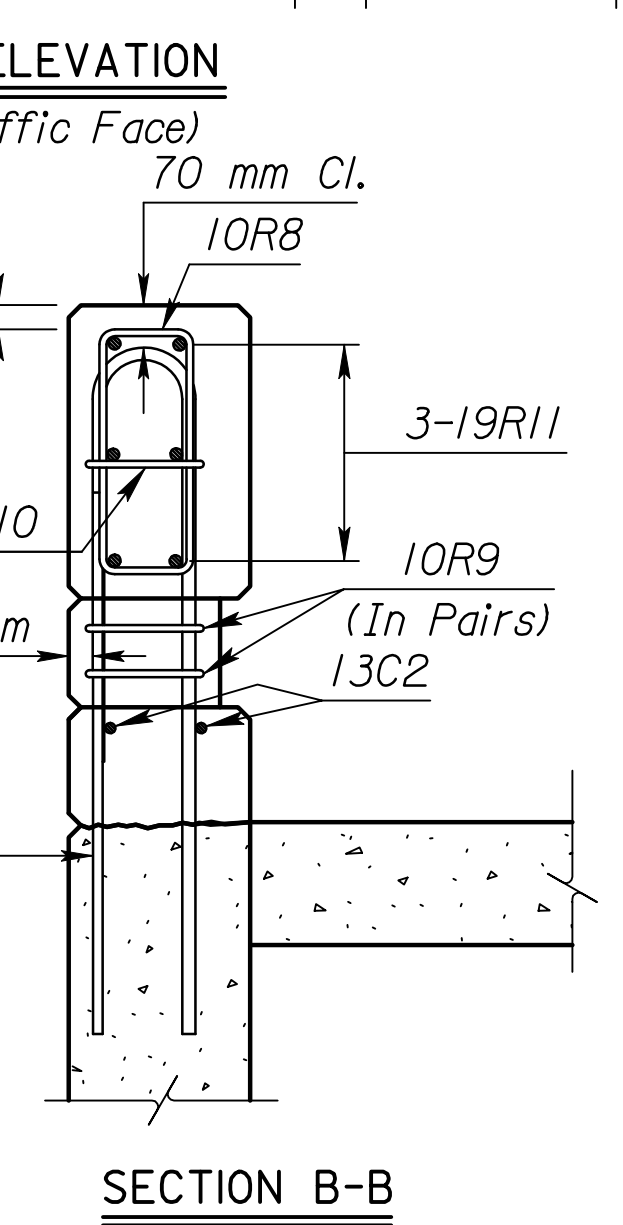
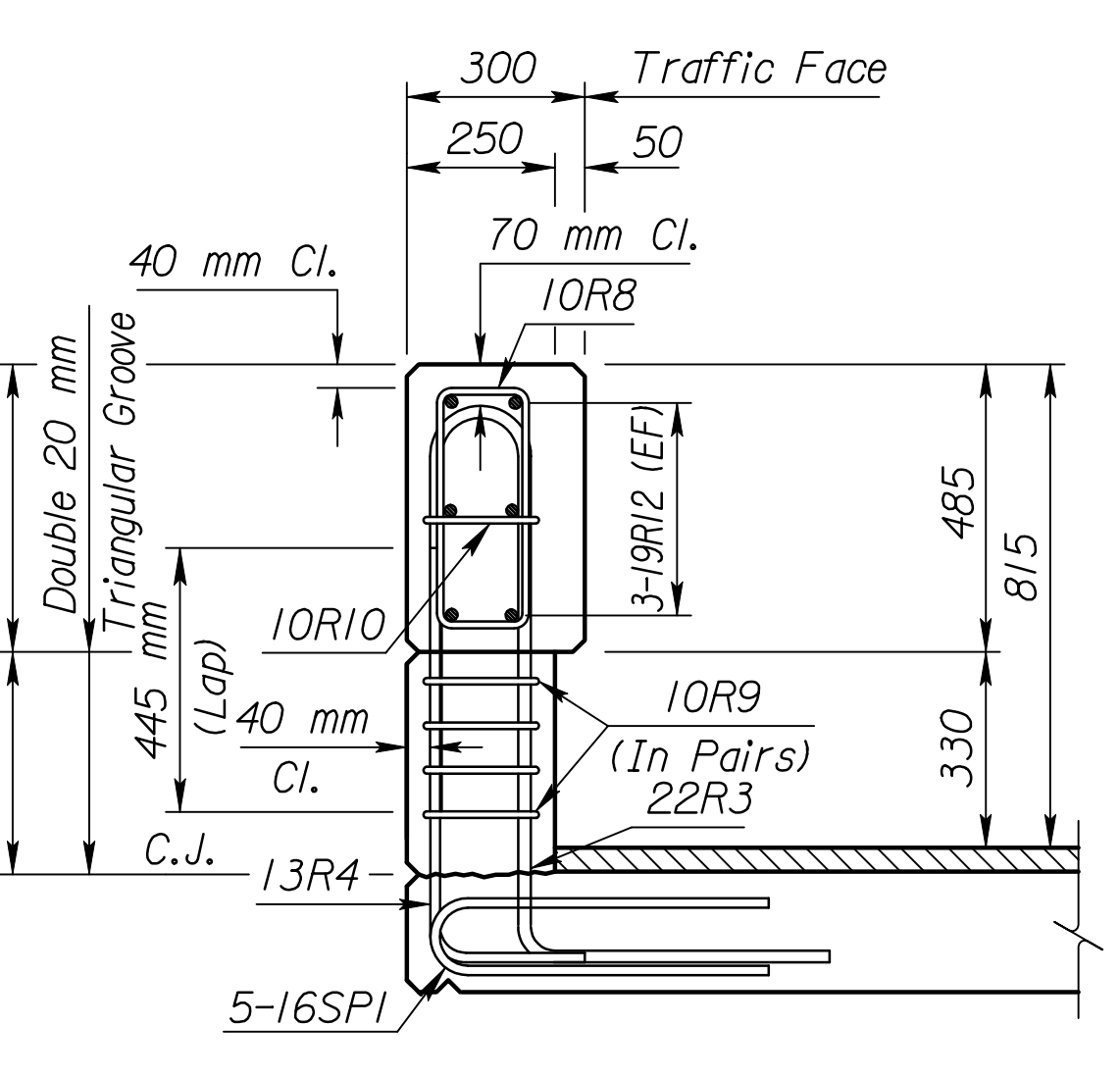
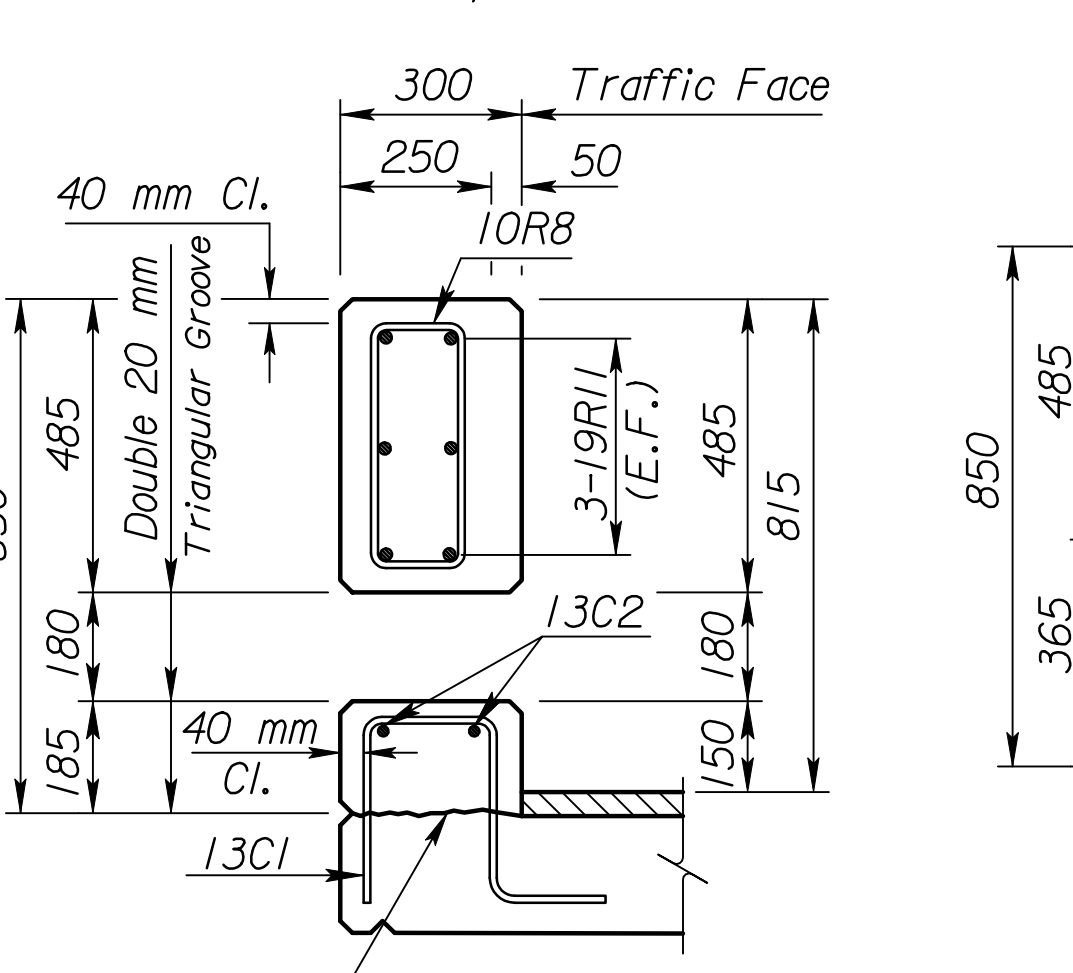
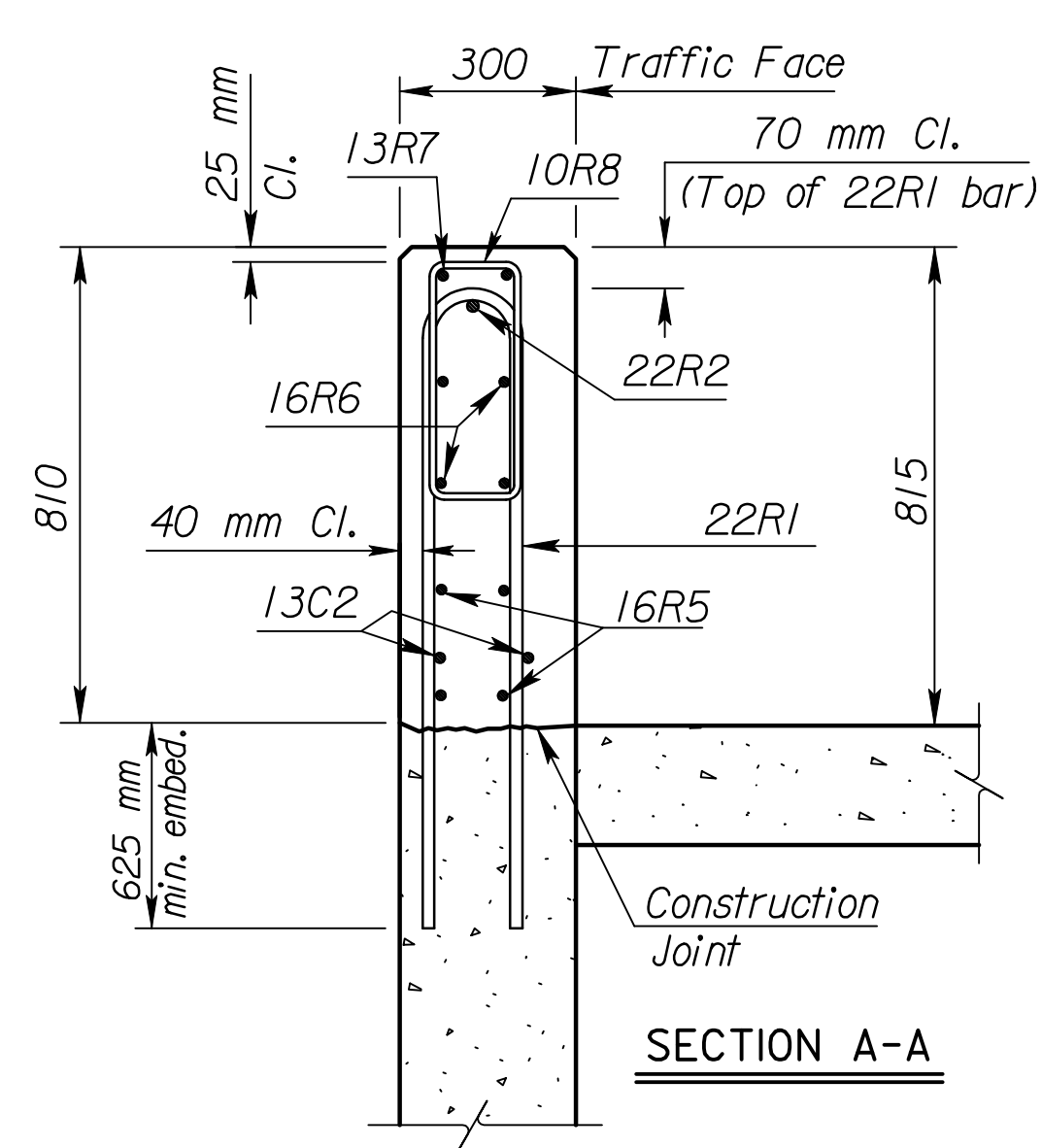
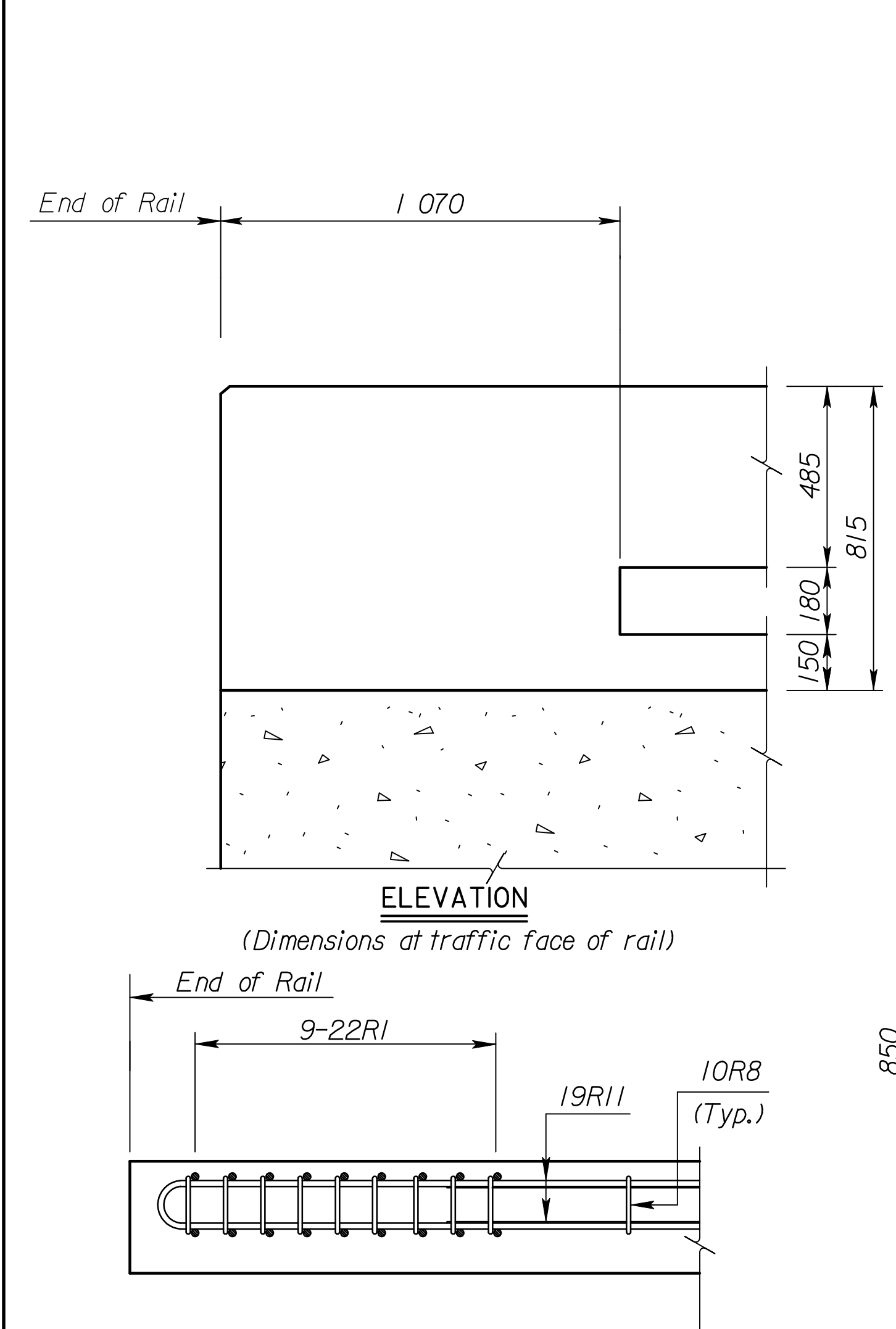
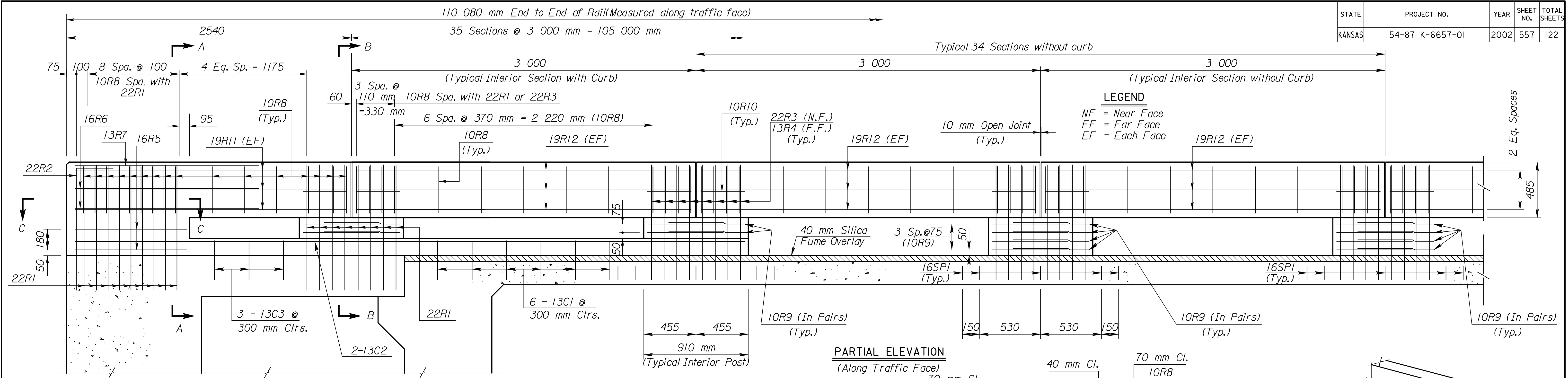


STATE	PROJECT NO.	YEAR	SHEET NO.	TOTAL SHEETS
KANSAS	54-87 K-6657-01	2002	557	1122



Plotted By : gdr
 Plot File : I:\1997\91362\As-Builts\dgrs\Vol_3\Sh_557-KDOT_ST-D-NorthRail.dgn
 Last Rev: 9-5-07
 By: gdr
 Plot Date : Sept. 07

3				
2				
1	6-14-96	Current Release		
NO.	DATE	REVISIONS	BY	APP'D

CITY OF WICHITA
 Br. No. 54-87-19.29(492)F.E.B. Sta. 16+005.740
 815 mm KANSAS CORRAL RAIL
 EB Frontage Rd. North Rail
 Sedgwick Co.

SHEET NO.	OF	SCALE	APP'D
DESIGNED	DATE	DETAILED	QUANTITIES
DESIGN CK.	DETAIL CK.	QUAN. CK.	CADD CK.

RECORD DRAWING