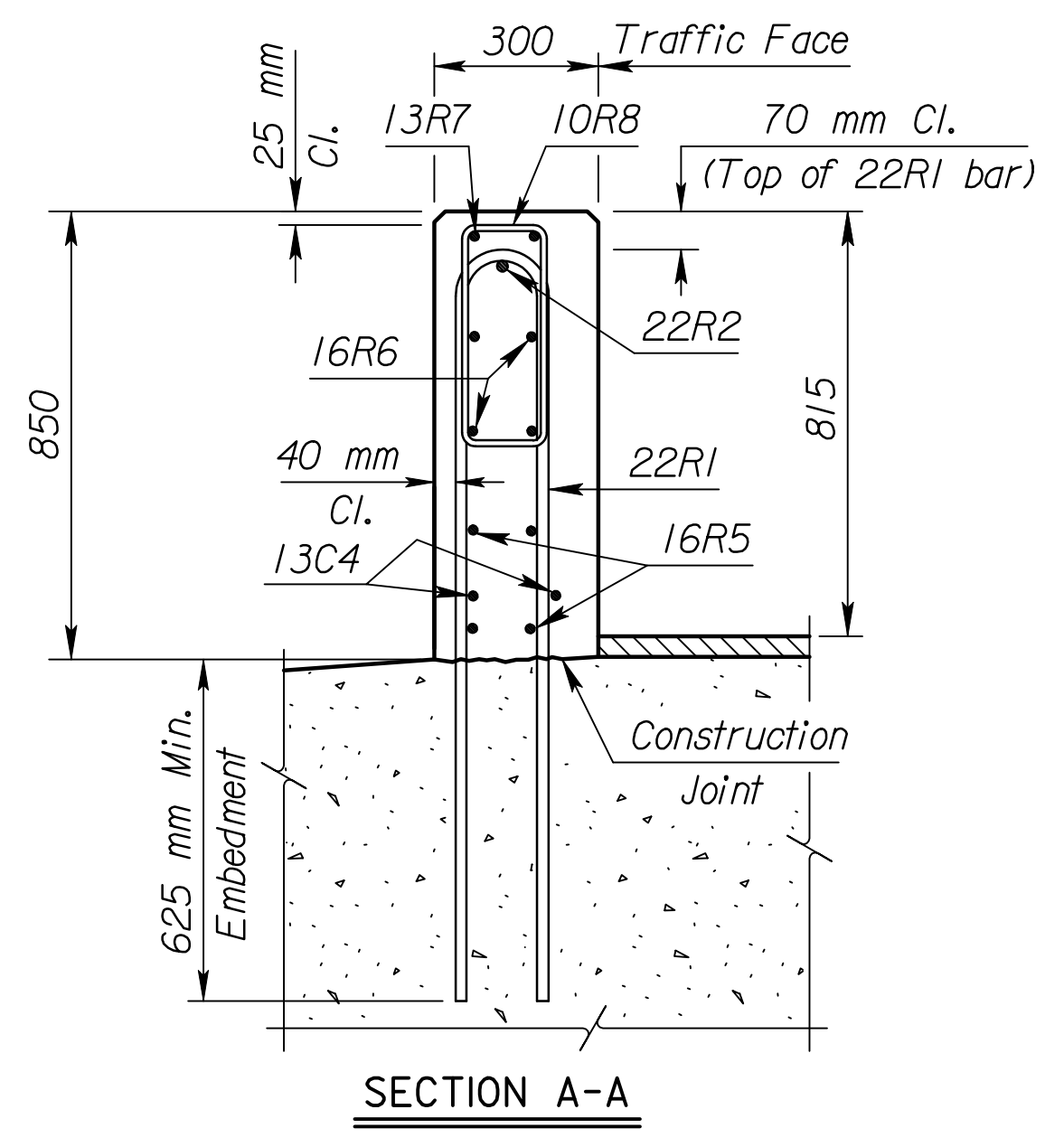
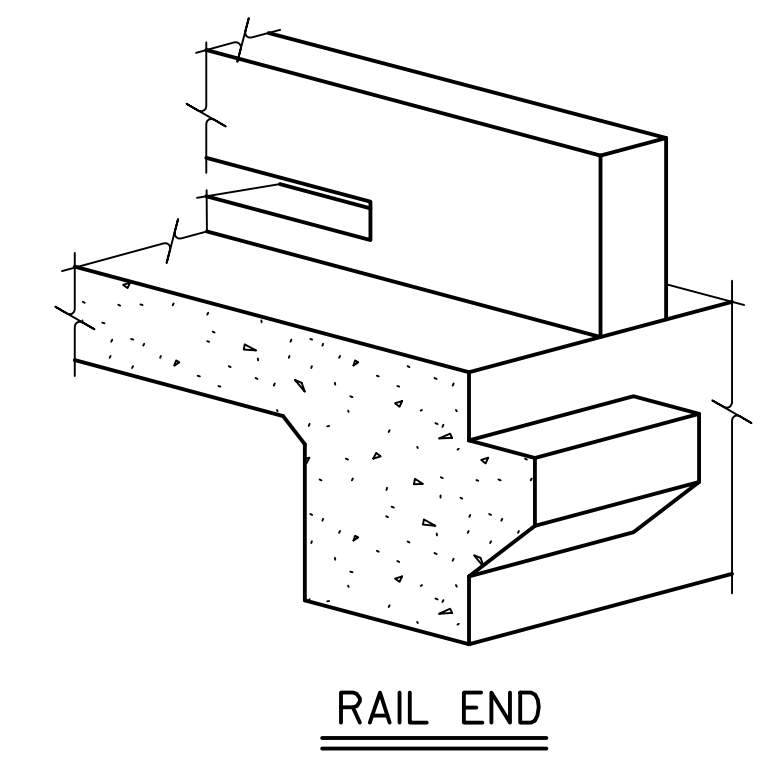
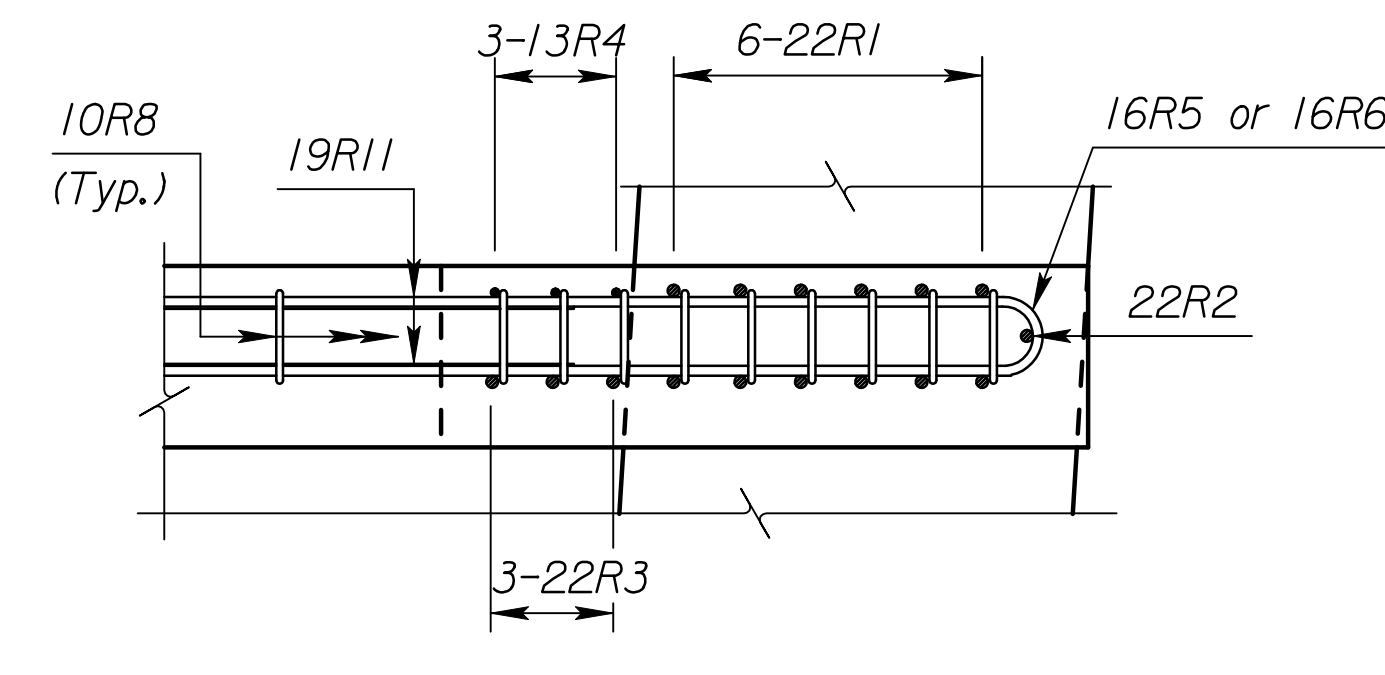
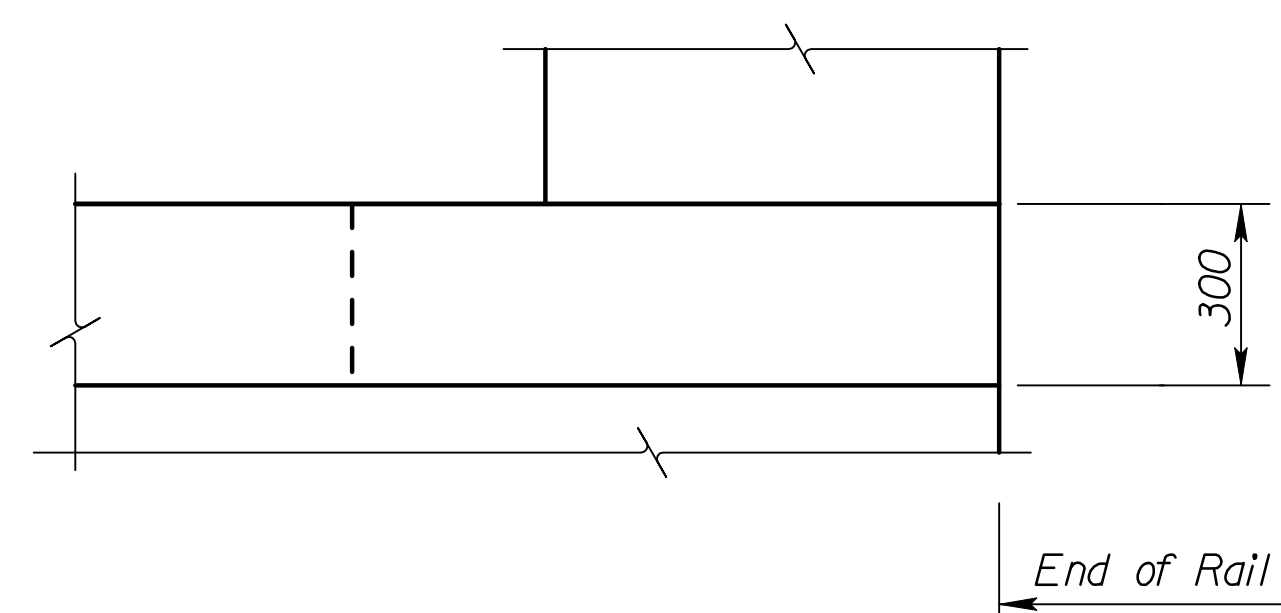
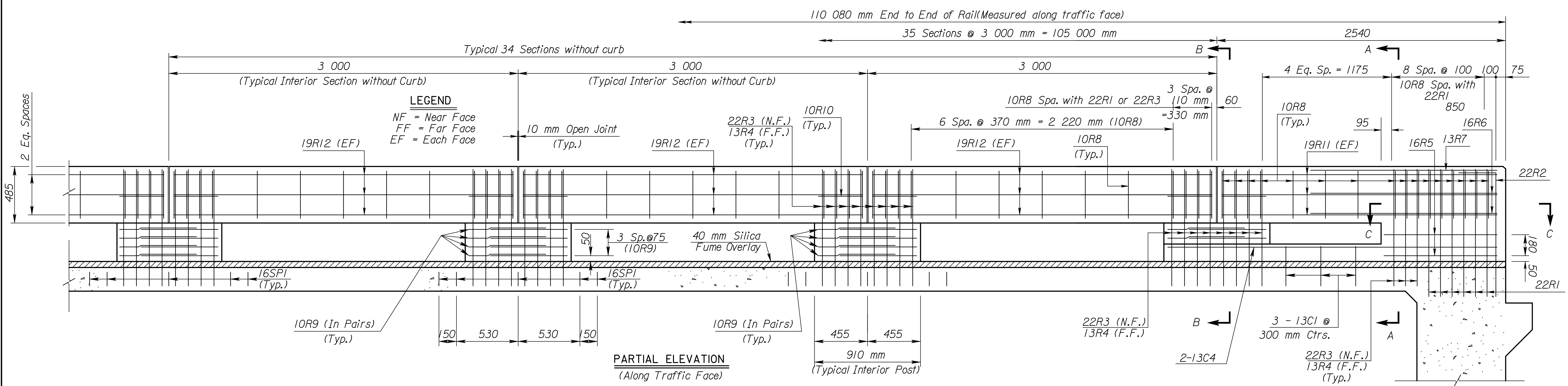


STATE	PROJECT NO.	YEAR	SHEET NO.	TOTAL SHEETS
KANSAS	54-87 K-6657-01	2002	558	1122



Plotted By : svb
 Plot File : I:\1997\97362\As-Builts\dgn\Vol_3\Sh_558-KDOT_ST-D-NorthRail.dgn Last Rev: 9-5-07 By: gdr
 Plot Date : 3-27-2002

RECORD DRAWING

3				
2				
1	6-14-96	Current Release		
NO.	DATE	REVISIONS	BY	APP'D

CITY OF WICHITA
 Br. No. 54-87-19.29(492)F.E.B. Sta. 16+005.740
 815 mm KANSAS CORRAL RAIL
 EB Frontage Rd. North Rail
 Sedgwick Co.

SHEET NO.	OF	SCALE	APP'D
DESIGNED		DETAILED	QUANTITIES
DESIGN CK.		DETAIL CK.	QUAN. CK.
			CADD CK.