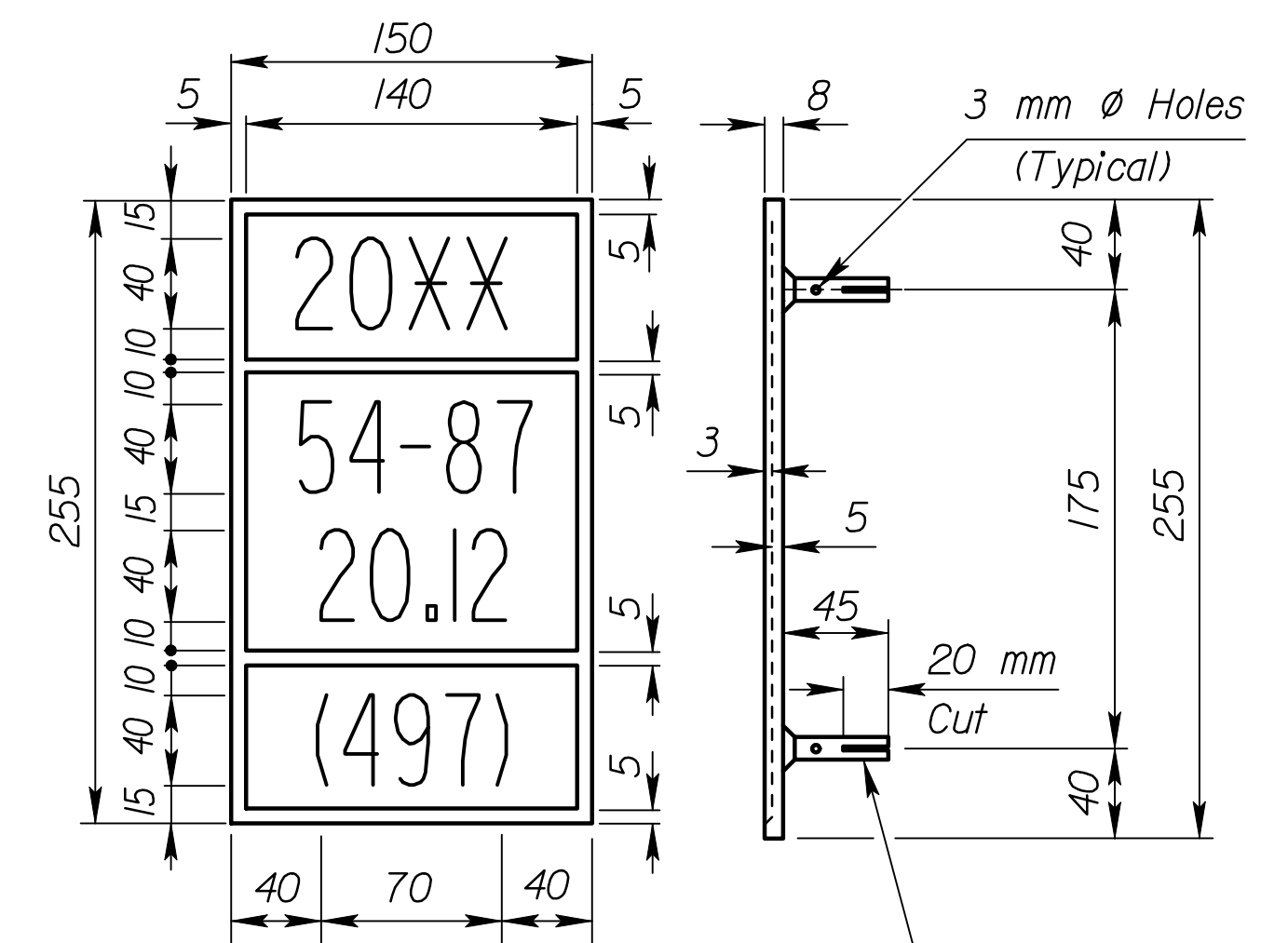
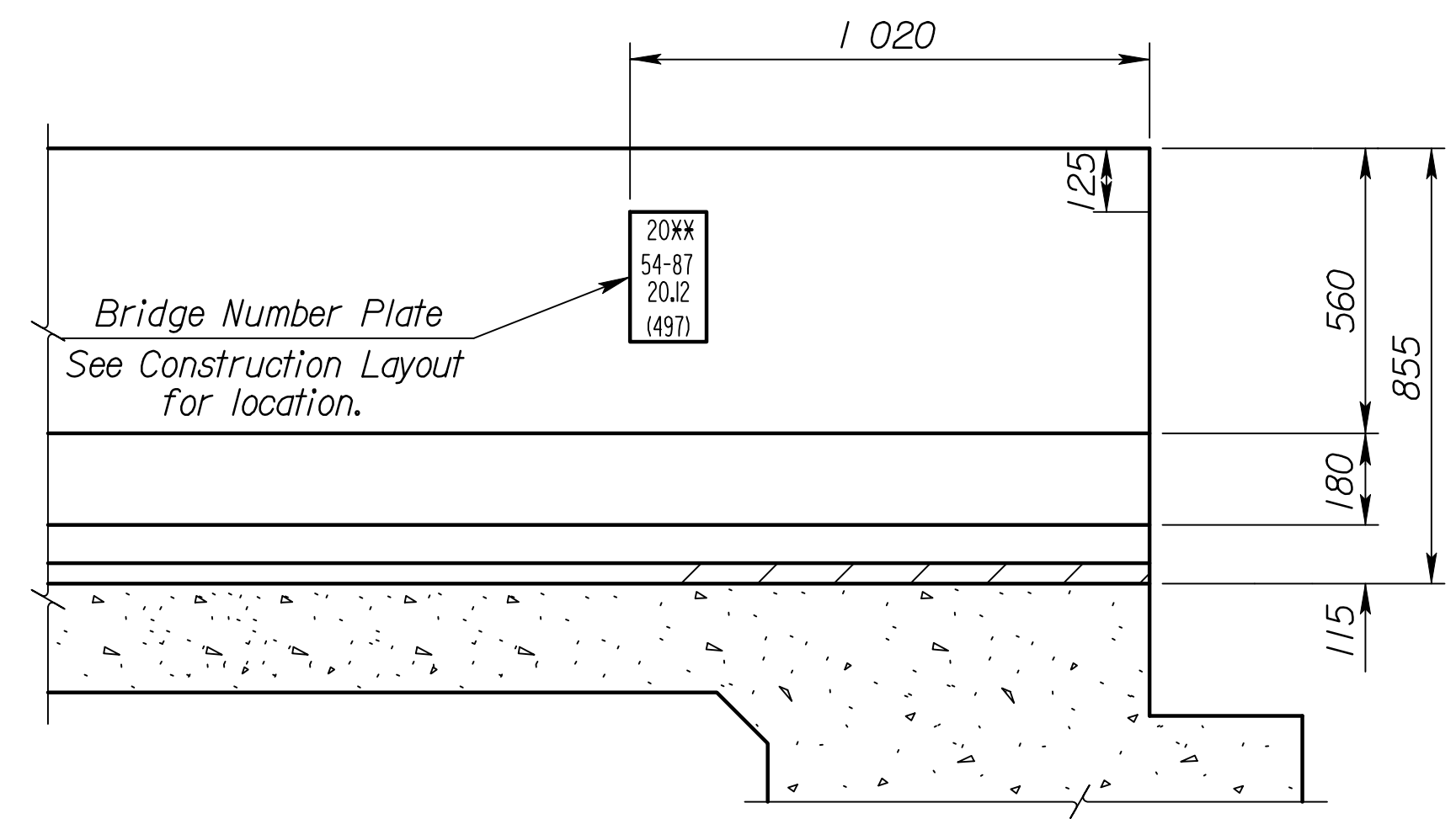
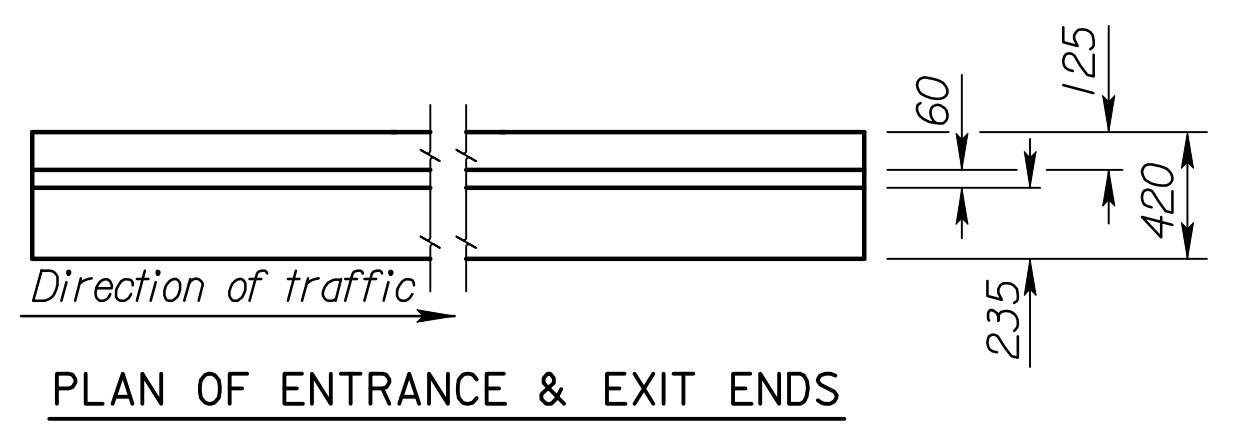
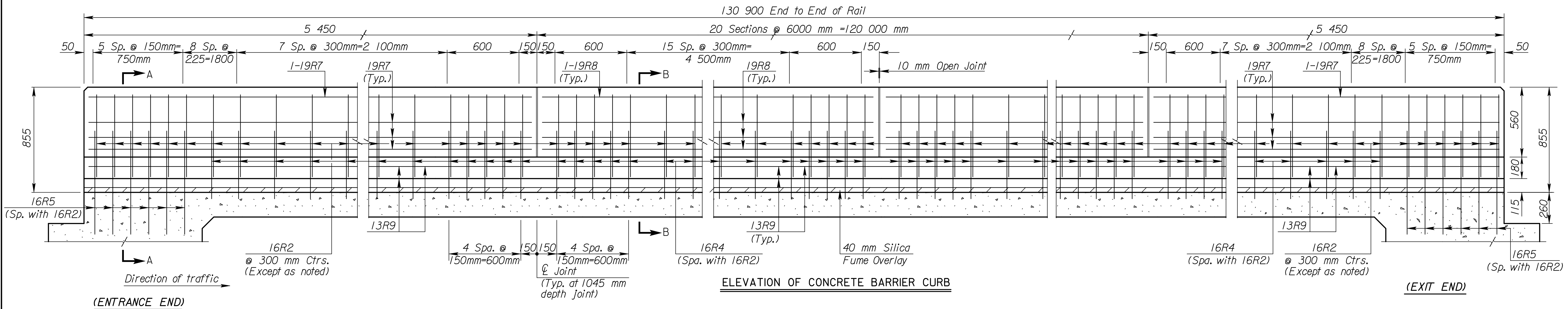
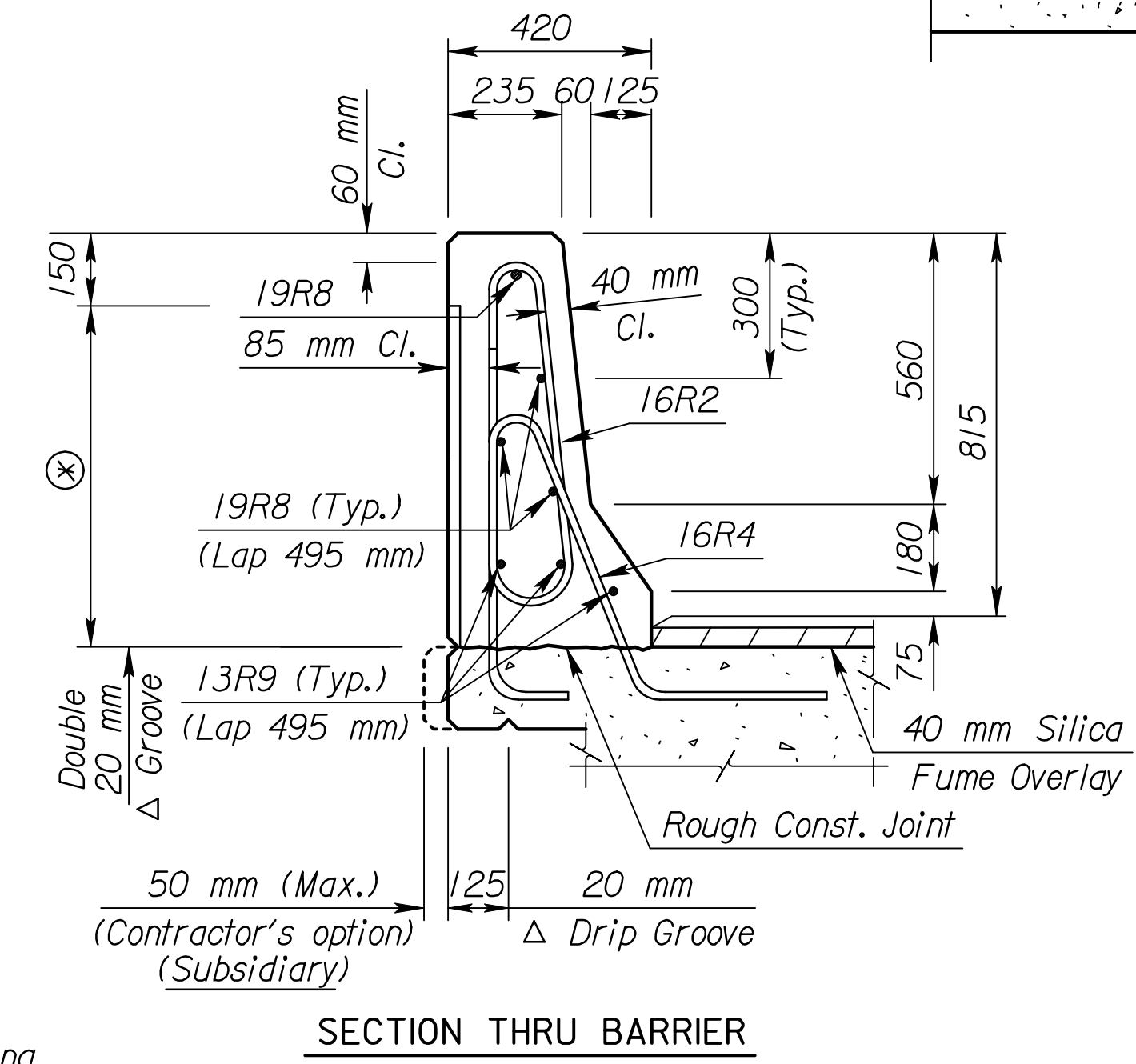
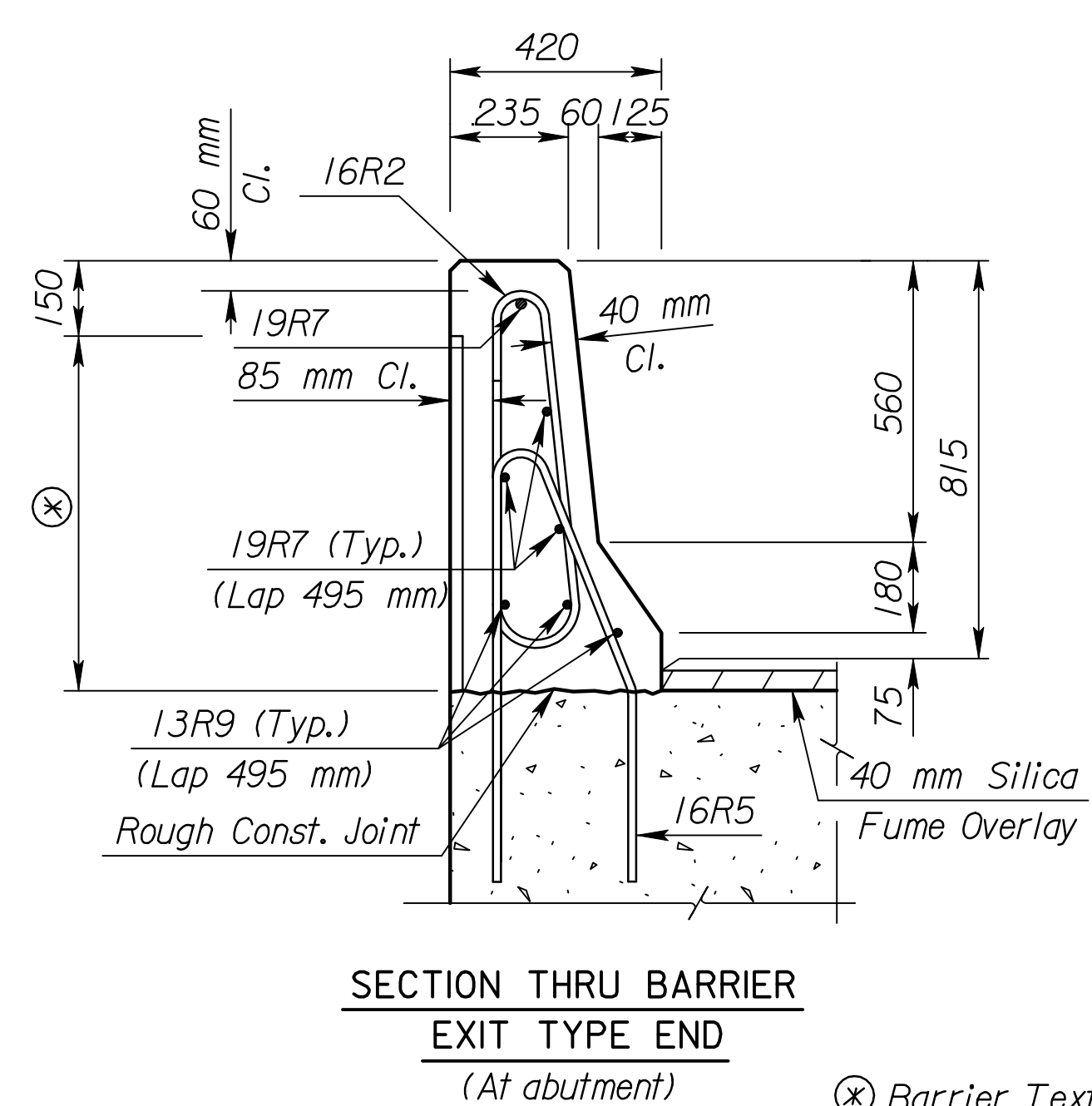


STATE	PROJECT NO.	YEAR	SHEET NO.	TOTAL SHEETS
KANSAS	54-87 K-6657-01	2002	601	1122



** Year Bridge is Completed.
 2-10 mm ϕ Lugs @ 75 mm
 Ctrs. (Top & Bottom)
 (1 Required)
 (See Construction Layout for Location)



⊗ Barrier Texturizing
 See Misc. Barrier Detail Sheet

RECORD DRAWING

3				
2				
1	10-27-00	Current Release		
NO.	DATE	REVISIONS	BY	APP'D

CITY OF WICHITA
 Br. No. 54-87-20.12(497) E.B. Sta. 17+332.607
 815mm F2 BARRIER CURB
 SOUTH RAIL
 KELLOGG (US 54) OVER TYLER ROAD
 SEDGWICK Co.

SHEET NO.	OF	SCALE	APP'D
DESIGNED	QUANTITIES	DETAILED	CADD
DESIGN CK.	DETAIL CK.	QUAN. CK.	CADD CK.

Plotted By : svb
 Plot File : I:\1997\97362\As-Builts\dgrs\Vol_3\Sh 601-KDOT_ST-D-815SouthRail.dgn
 Last Rev: 9-6-07 By: gdr
 Plot Date : 3-22-2002