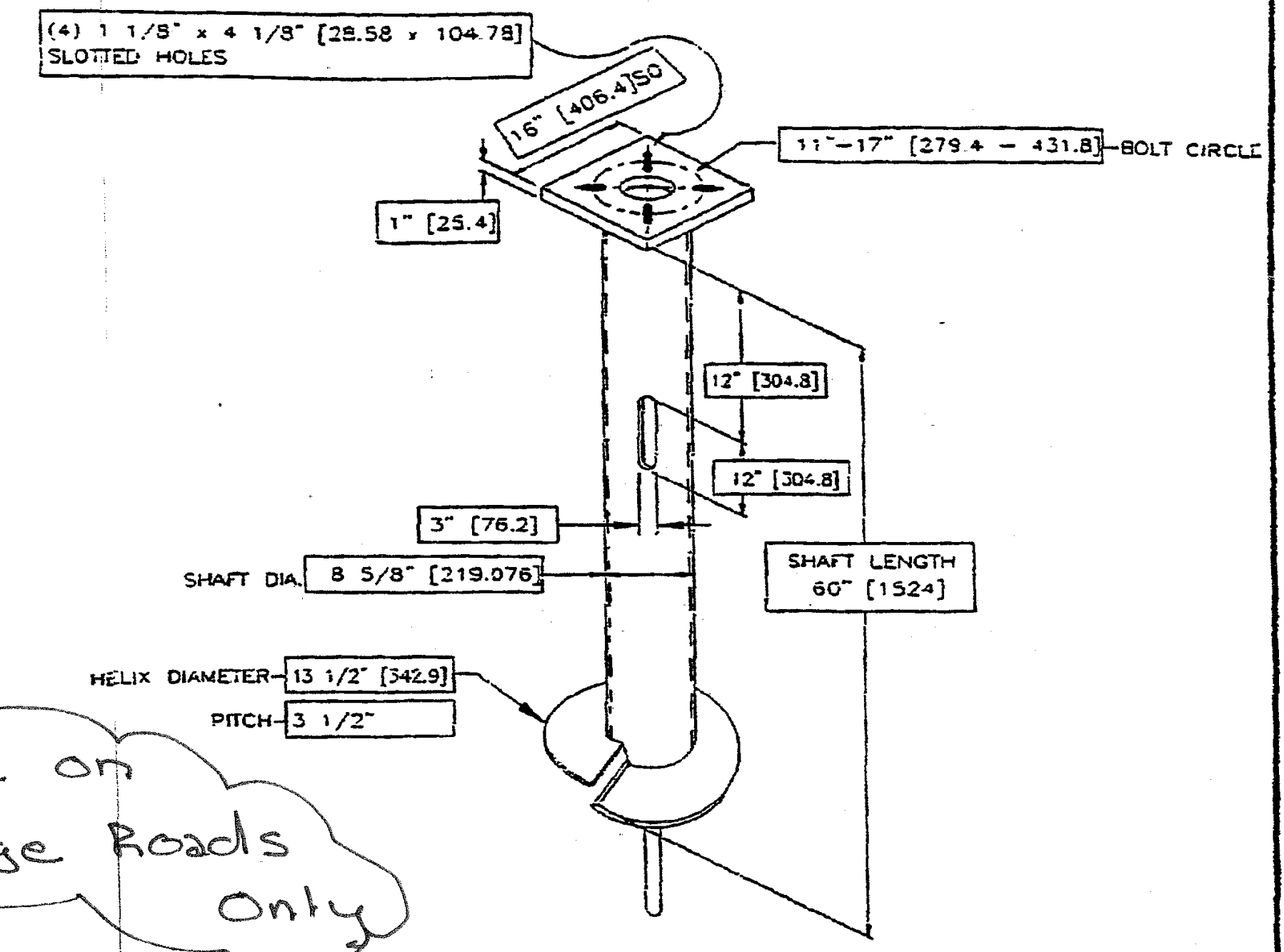
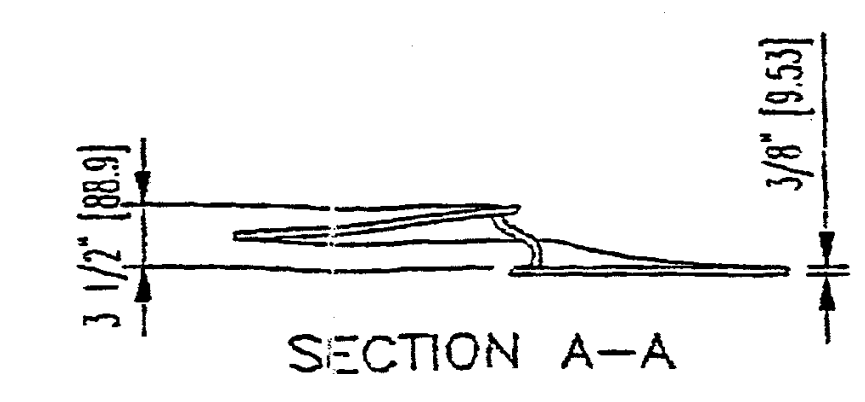
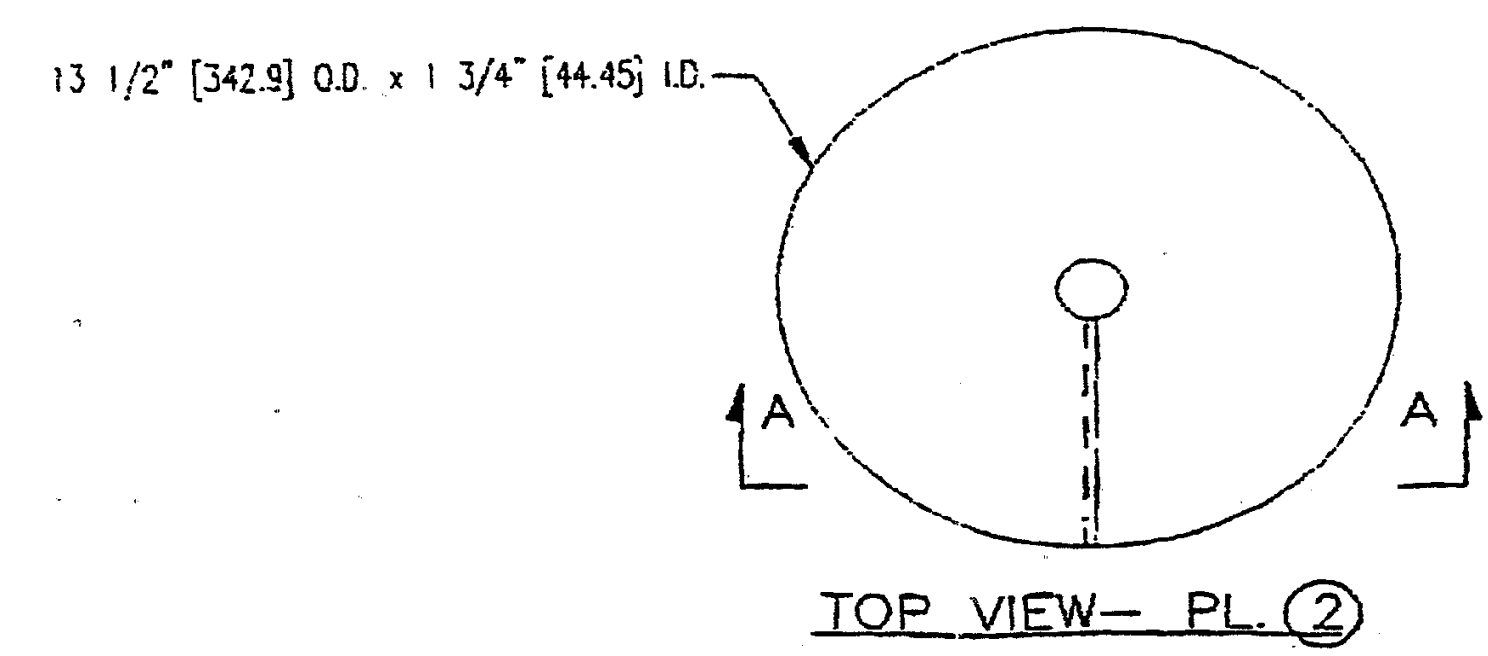
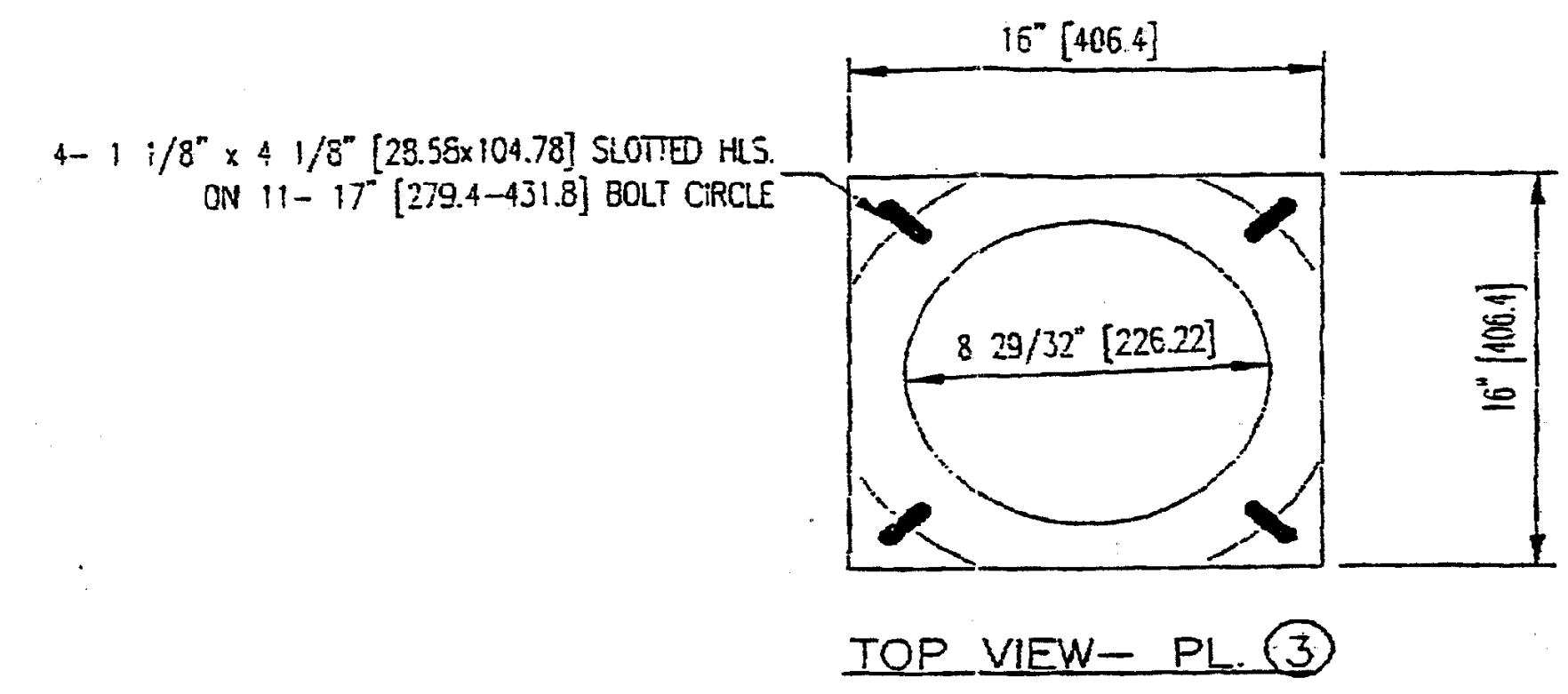
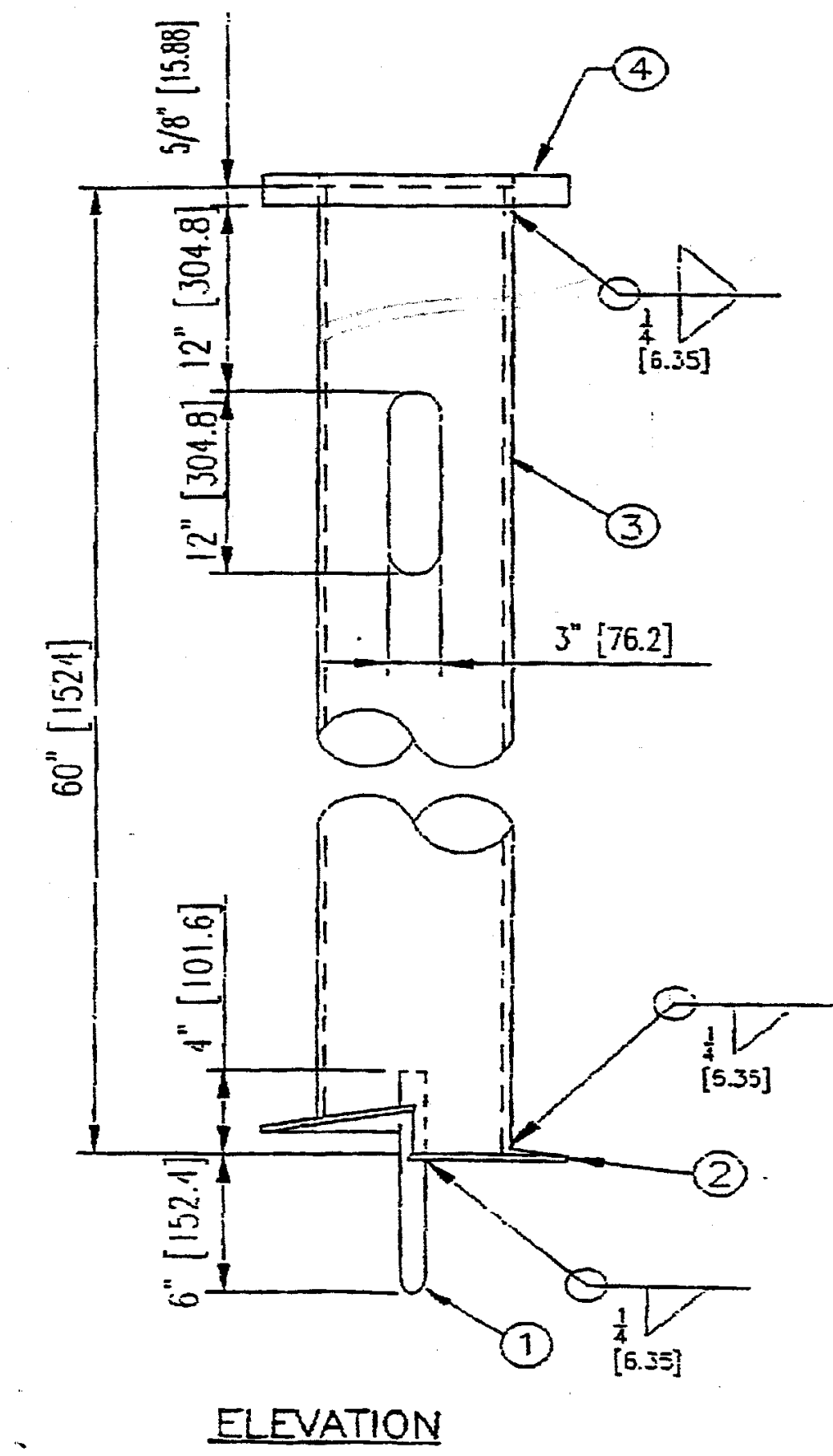


COMP. MARK	MOUNTING HEIGHT	DESCRIPTION	MAT'L	WEIGHT	COMP. MARK	MOUNTING HEIGHT	DESCRIPTION	MAT'L	WEIGHT	COMP. MARK	MOUNTING HEIGHT	DESCRIPTION	MAT'L	WEIGHT	COMP. MARK	MOUNTING HEIGHT	DESCRIPTION	MAT'L	WEIGHT	
①	1 3/8" x 10"		A36	4.30	○					○					○					
②	3/8 PL 13 1/2" O.D.		A36	15.40	○					○					○					
③	8 5/8" O.D. x 1/4" WALL x 5'-0"		A252-2	103.71	○					○					○					
④	1" PL 16 x 16 W 8 29/32"		A36	43.01	○					○					○					
4	1" x 4" HEX HD BOLT		A325	4.68																
4	1" Hvy HEX NUT		A563-DH	1.70																
4	1" HARD WASHER		F436	0.36																
4	1" LOCK WASHER		MED.	0.35																
TOTAL WEIGHT				173.51		TOTAL WEIGHT						TOTAL WEIGHT								
NO. OF FDNS ON THIS ORDER						NO. OF FDNS ON THIS ORDER						NO. OF FDNS ON THIS ORDER								



- NOTES:
- The welded foundation shall be capable of withstanding 10,000 ft./lbs of installation torque applied about the axis of the foundation.
 - After fabrication:
 - The foundation shall be hot dipped galv per ASTM-A123.
 - Bolts, nuts, & washers shall be galv. per ASTM-A153 Class C
 - All foundations will be furnished with studs installed;

HELIX FOUNDATION			
REVISED:		DRAWN BY:	CHECKED BY:
DATE: 6/26/02		RSK	
CONTRACTOR:			
KANSAS DEPARTMENT OF TRANSPORTATION			
J.H. BOTTS, INC.		DWG. #	REV #
253 E. BRUCE		KS 860	-
JOLIET, IL 60432			

DSNR: WDH OPER: JGP SCALE: i:/1997/97362/As-Builts/dgn/s/Vol 3/V8_Files_With_Rasters/Sh 651a-Helix_Foundation.dgn Last Rev: 9-18-07 By: gdr

RECORD DRAWING

No.	Revisions	By	Date
CITY OF WICHITA			
HELIX FOUNDATION			
SEDGWICK COUNTY			
Professional Engineering Consultants, P.A. <small>303 S. TOPEKA • WICHITA, KANSAS 67202 316-262-2691 • FAX 316-262-3003</small>			
Designed by	Checked by		
Drawn by	Date	Job No.	97362