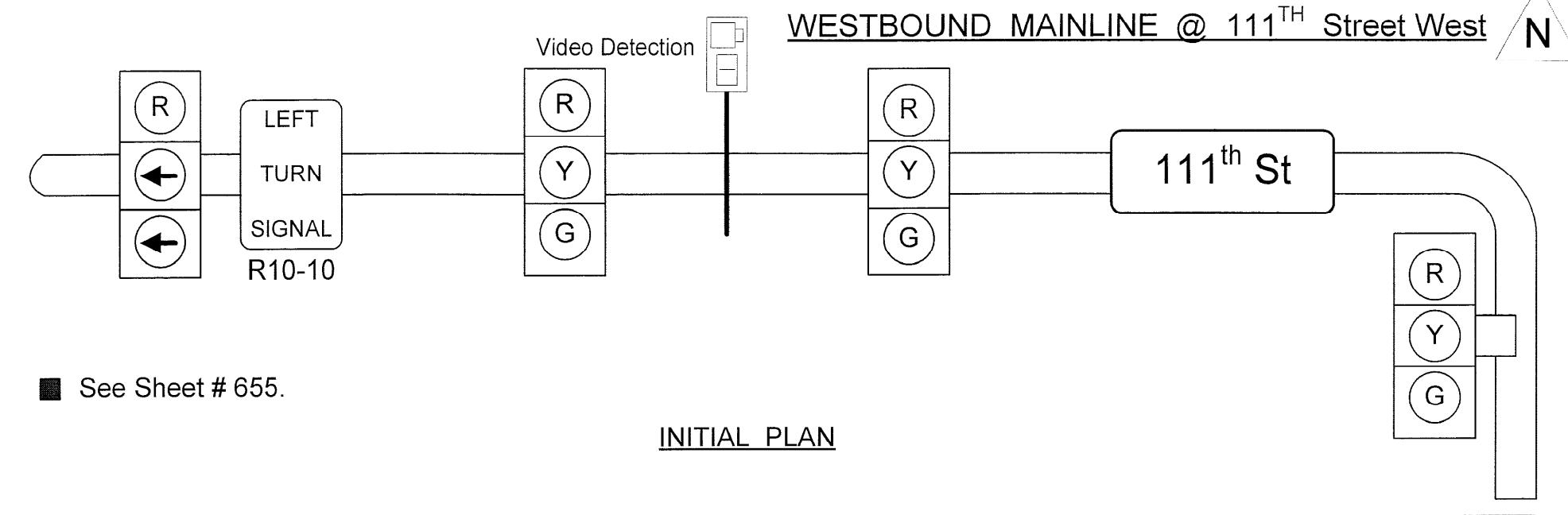


FHWA REGION NO.	STATE	PROJECT NO.	YEAR	SHEET NO.	TOTAL SHEETS
7	KANSAS	54-87 K-6657-01	2002	655g	1122

West Kellogg Freeway – Maize and Tyler Road Interchanges

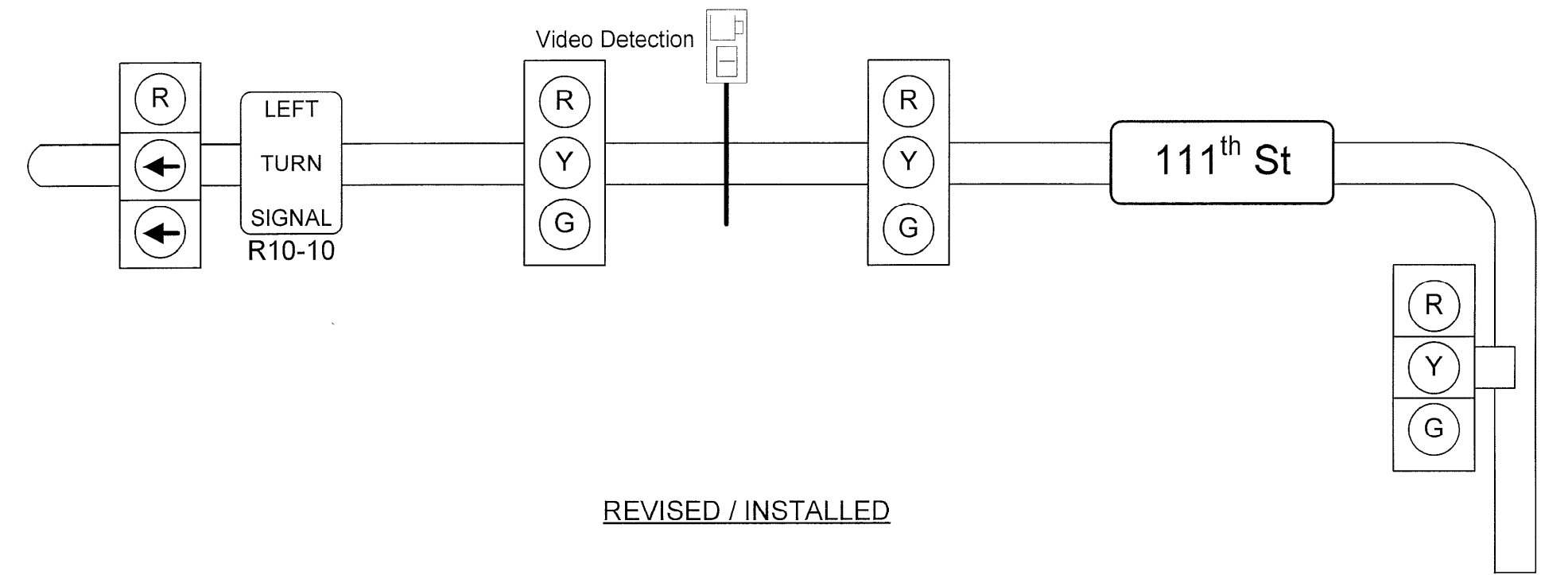
City of Wichita Project Number: 472 - 83533

WK



See Sheet # 655.

INITIAL PLAN

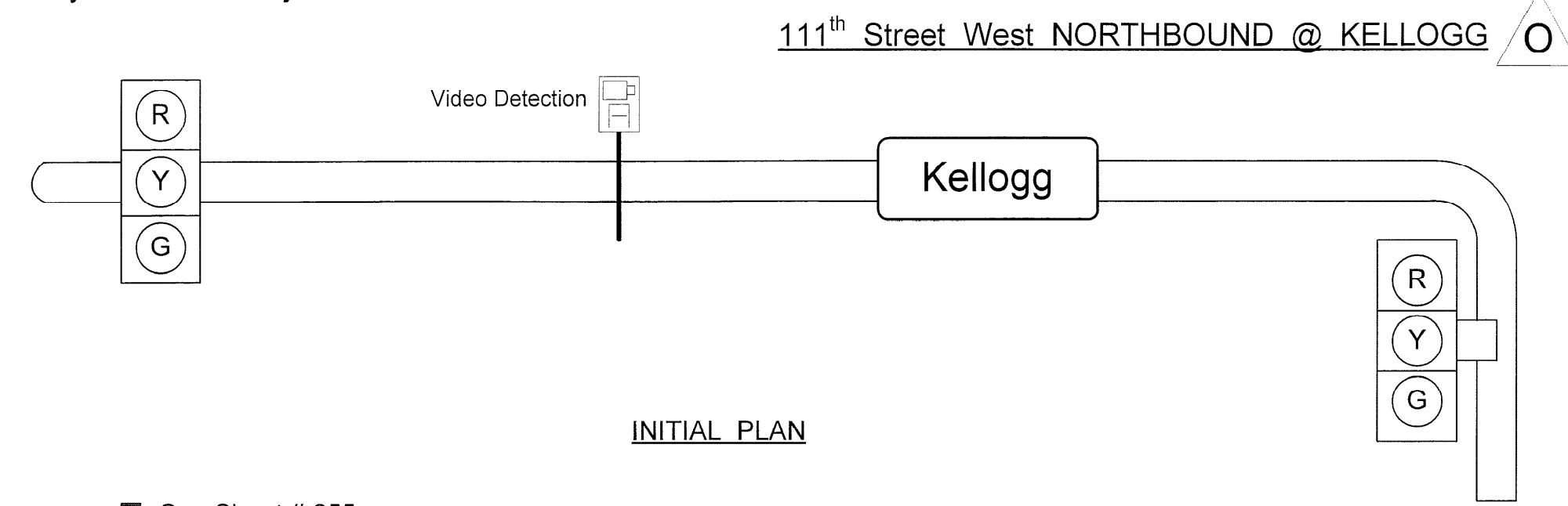


REVISED / INSTALLED

West Kellogg Freeway – Maize and Tyler Road Interchanges

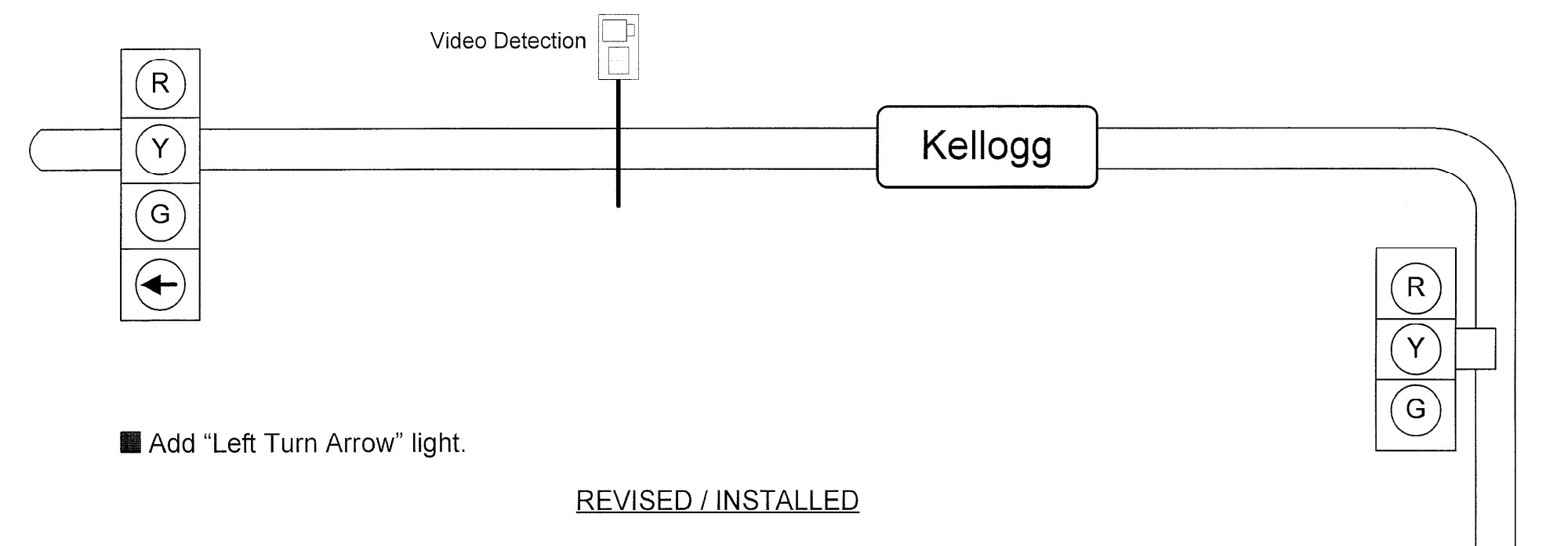
City of Wichita Project Number: 472 - 83533

WK



See Sheet # 655.

INITIAL PLAN

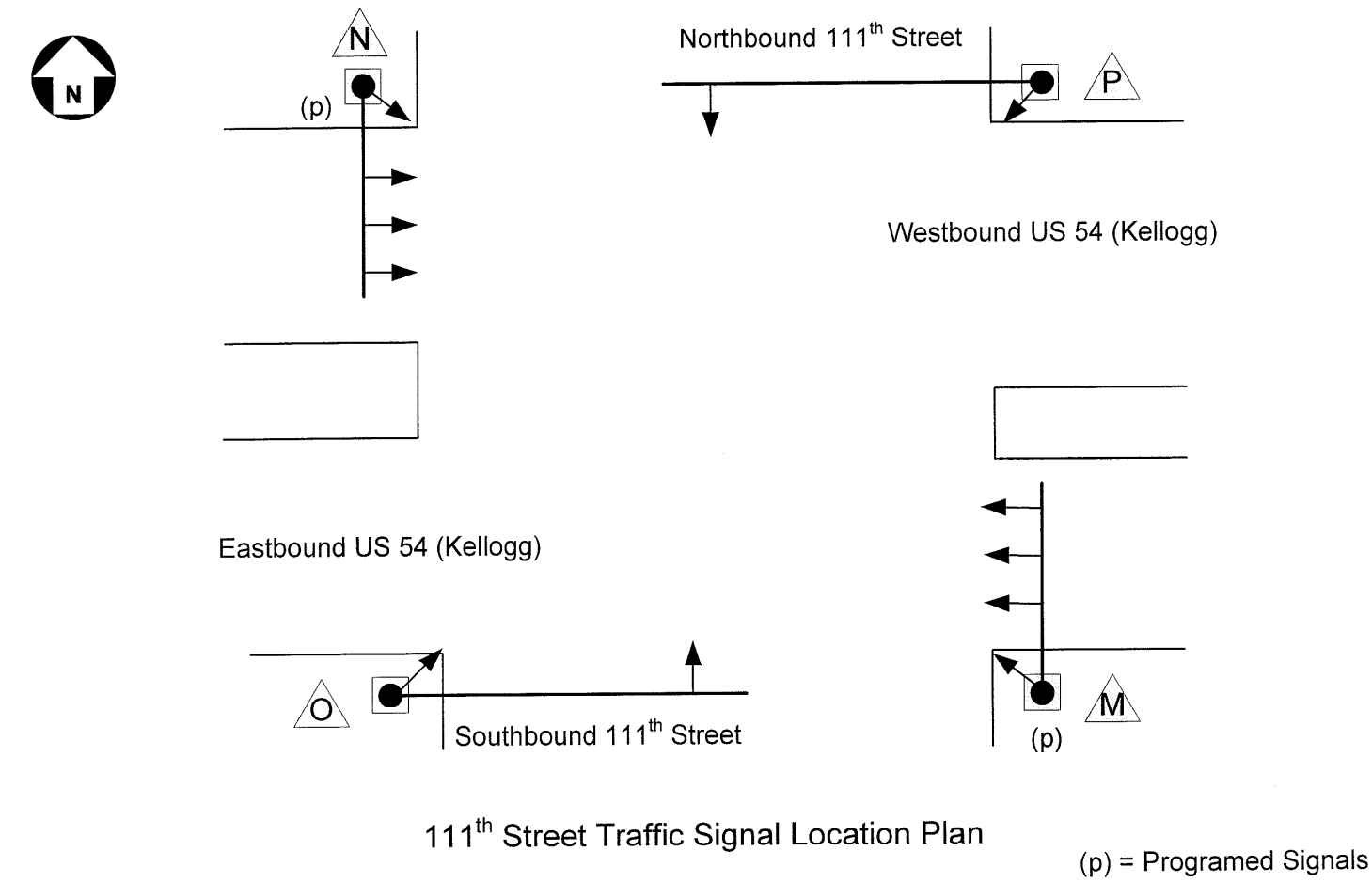


Add "Left Turn Arrow" light.

REVISED / INSTALLED

WEST KELLOGG FREEWAY – MAIZE AND TYLER ROAD INTERCHANGES
CITY OF WICHITA PROJECT NUMBER: 472 - 83533

WK

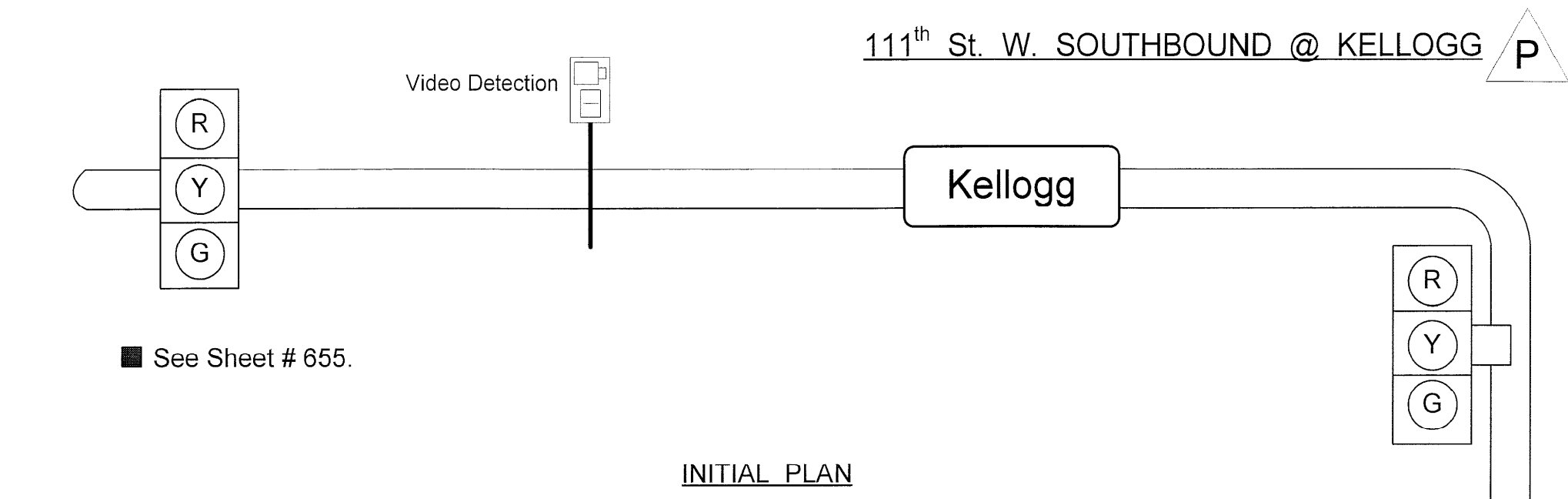


(p) = Programed Signals

West Kellogg Freeway – Maize and Tyler Road Interchanges

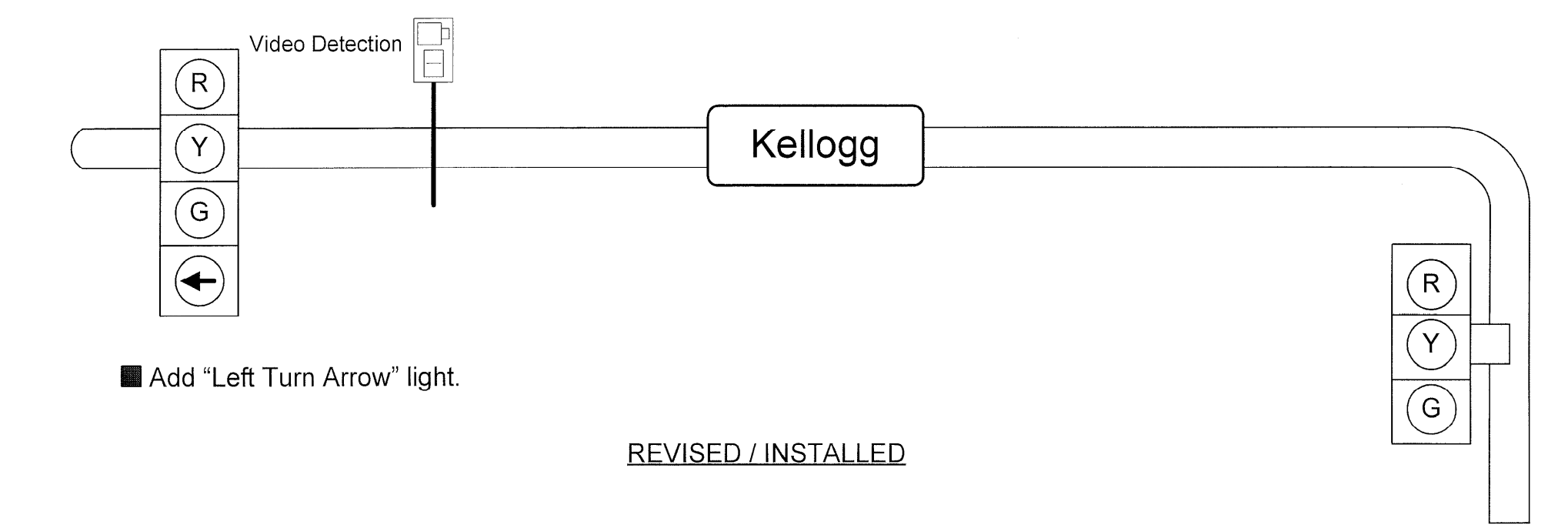
City of Wichita Project Number: 472 - 83533

WK



See Sheet # 655.

INITIAL PLAN



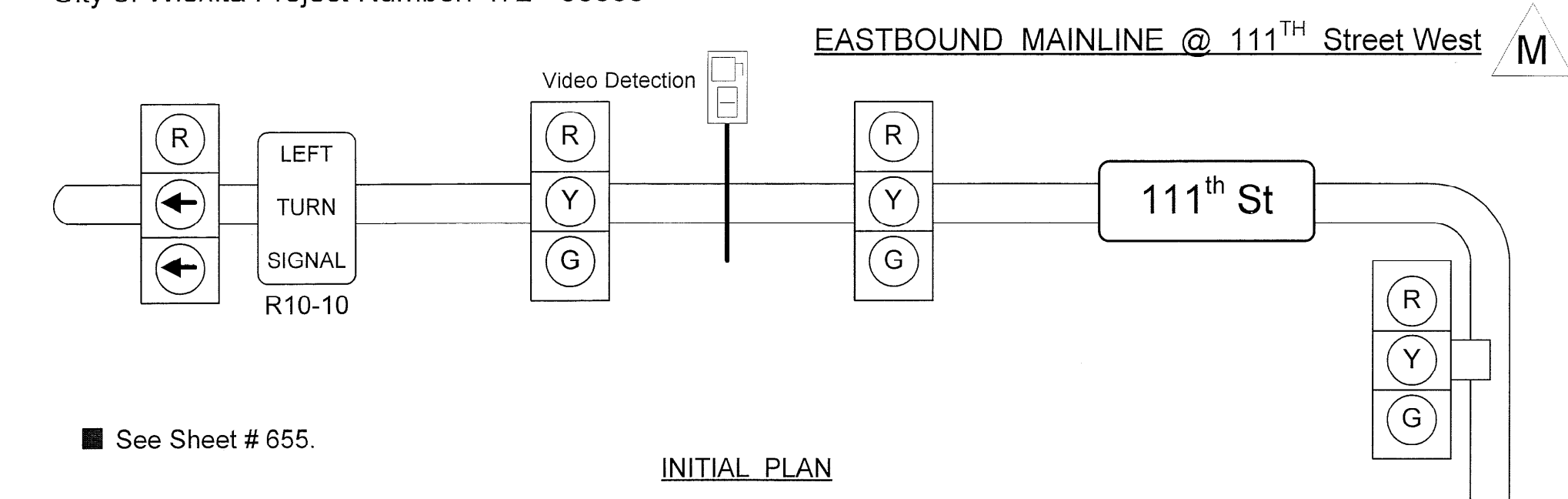
Add "Left Turn Arrow" light.

REVISED / INSTALLED

West Kellogg Freeway – Maize and Tyler Road Interchanges

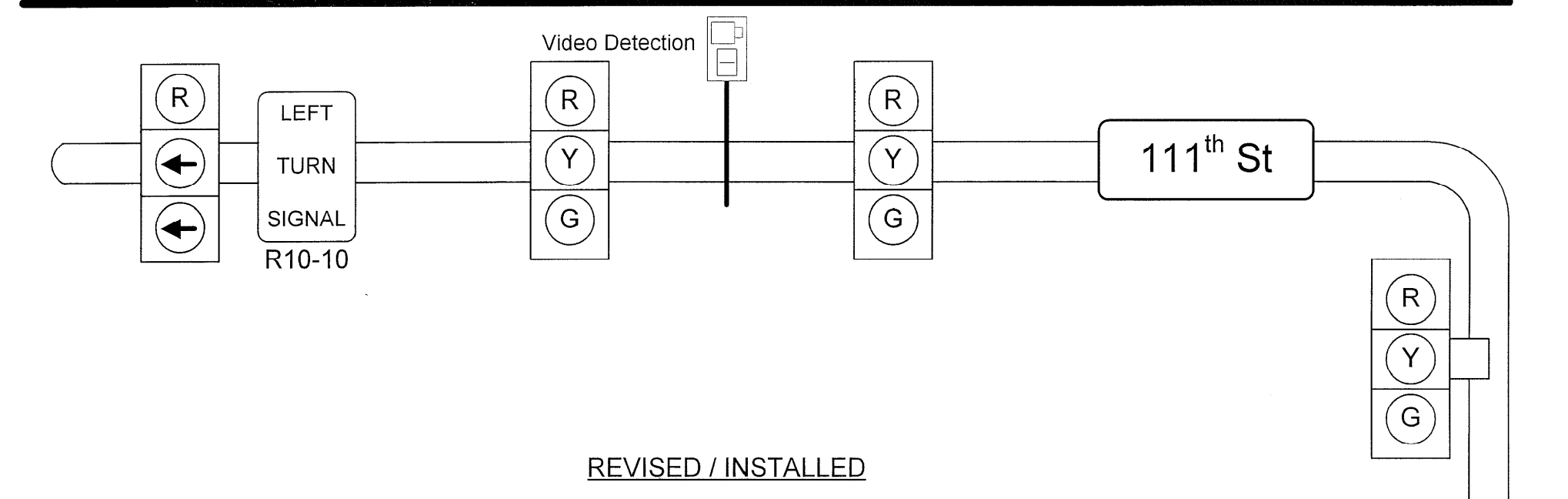
City of Wichita Project Number: 472 - 83533

WK



See Sheet # 655.

INITIAL PLAN



REVISED / INSTALLED

No.	Revisions	By	Date
-----	-----------	----	------

CITY OF WICHITA

TRAFFIC SIGNAL DETAILS
KELLOGG & 111TH ST. WEST

SEDGWICK COUNTY

Professional Engineering Consultants, P.A.
303 S. TOPEKA • WICHITA, KANSAS 67202
316-262-2691 • FAX 316-262-3003

Designed by	Checked by
Drawn by	Date
Job No. 97362	

RECORD DRAWING

DSNR: WDH OPER: JGP SCALE: i:/1997/97362/As-Builts/dgn/s/Vol_3/V8_Files_With_Rasters/Sh_655a-111th-Traffic_Signal.dgn Last Rev: 9-19-07 By: gdr