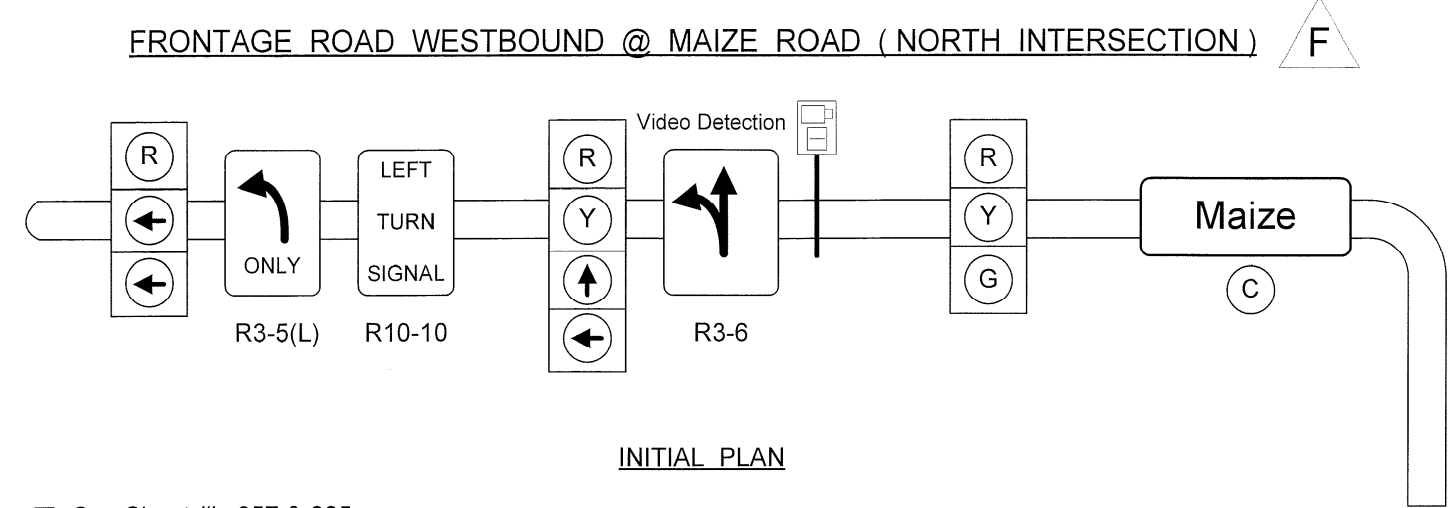
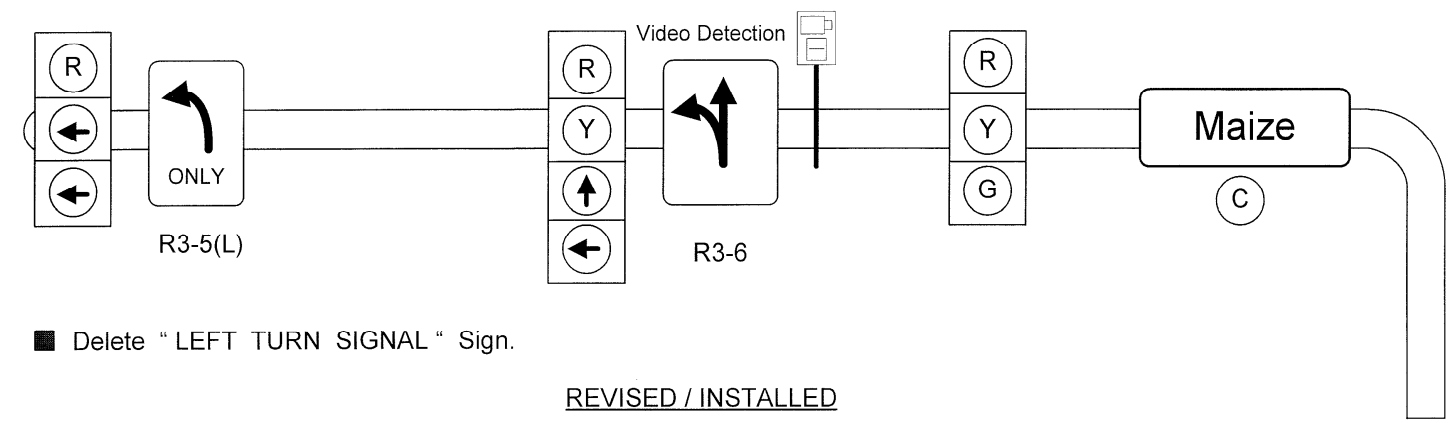


FHWA REGION NO.	STATE	PROJECT NO.	YEAR	SHEET NO.	TOTAL SHEETS
7	KANSAS	54-87 K-6657-01	2002	657g	1122

West Kellogg Freeway – Maize and Tyler Road Interchanges
City of Wichita Project Number: 472 - 83533

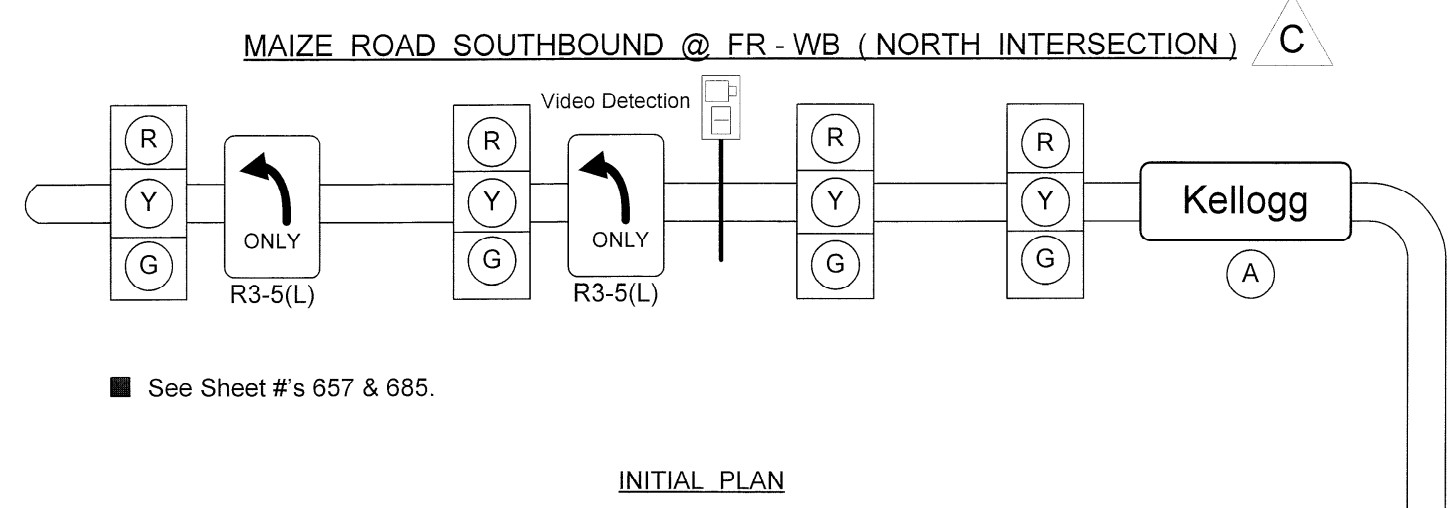


See Sheet #'s 657 & 685.

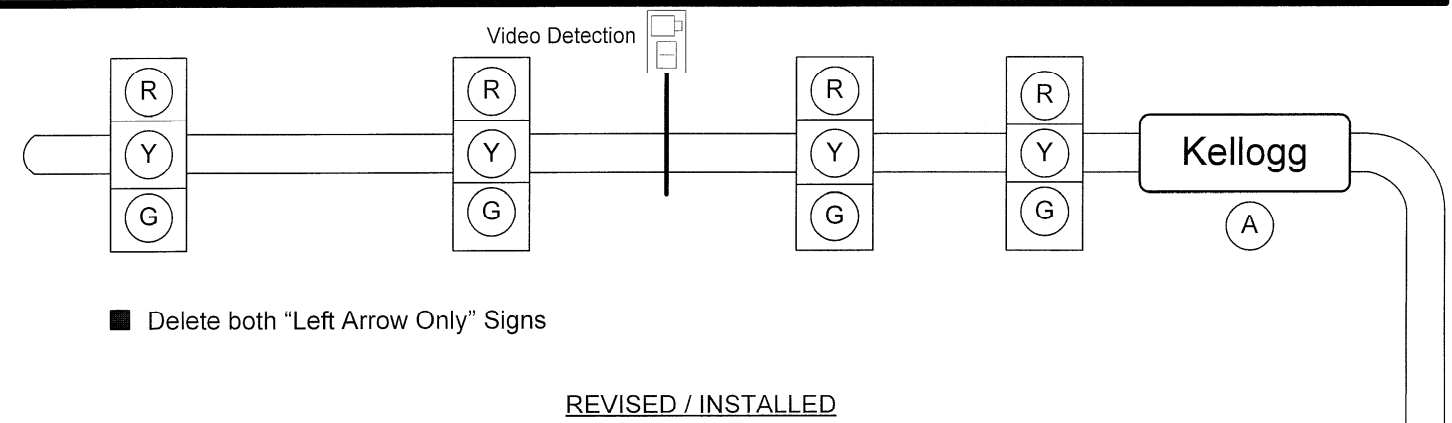


Delete "LEFT TURN SIGNAL" Sign.

West Kellogg Freeway – Maize and Tyler Road Interchanges
City of Wichita Project Number: 472 - 83533

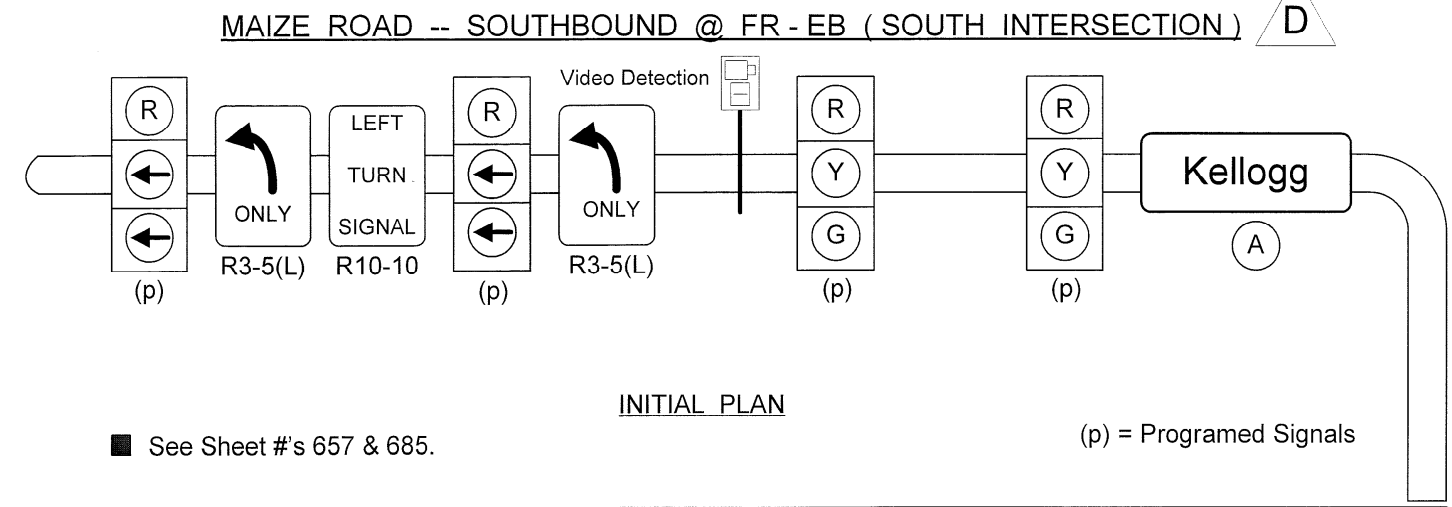


See Sheet #'s 657 & 685.

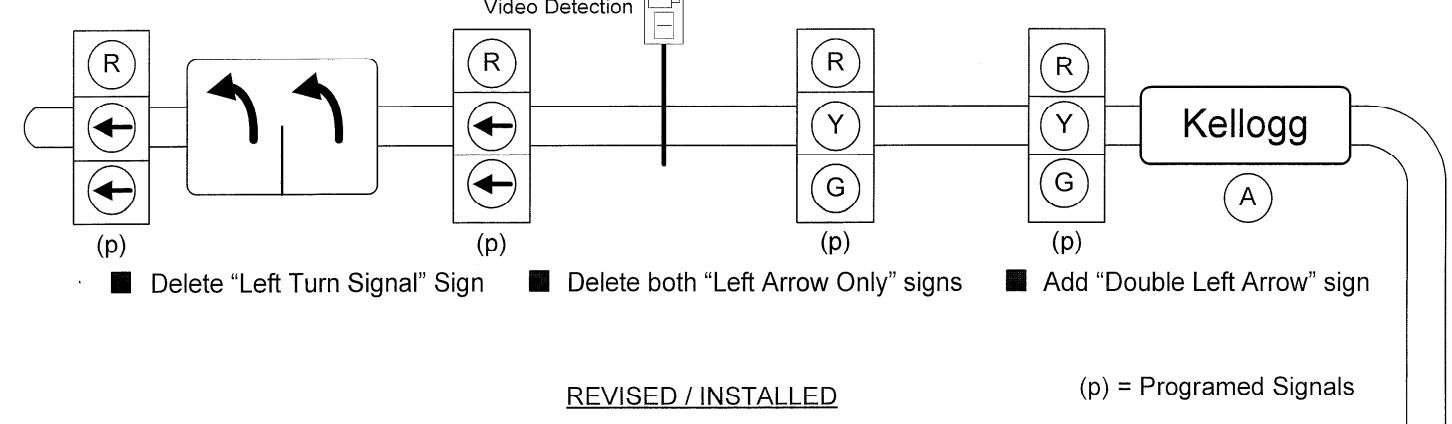


Delete both "Left Arrow Only" Signs

West Kellogg Freeway – Maize and Tyler Road Interchanges
City of Wichita Project Number: 472 - 83533

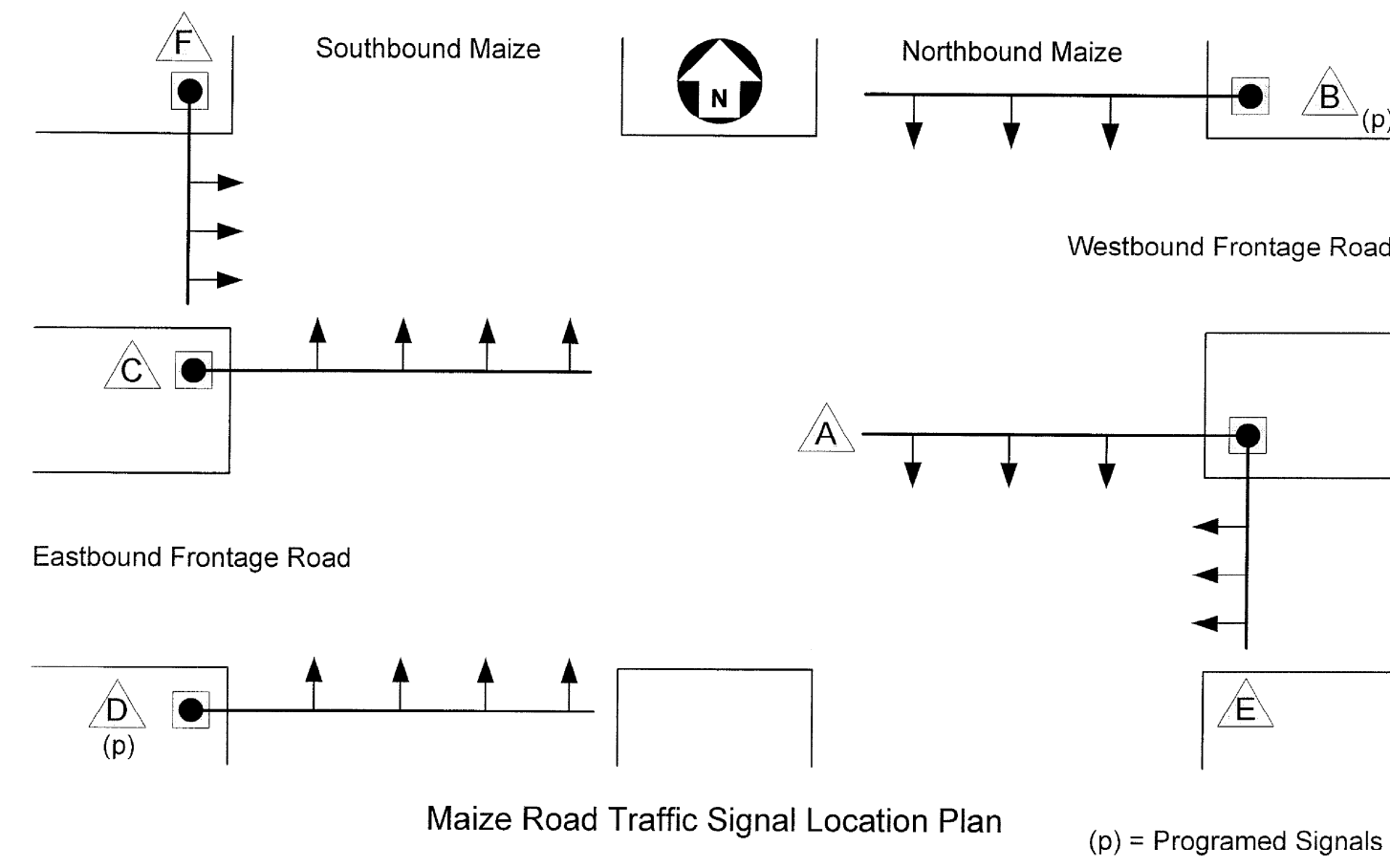


See Sheet #'s 657 & 685.

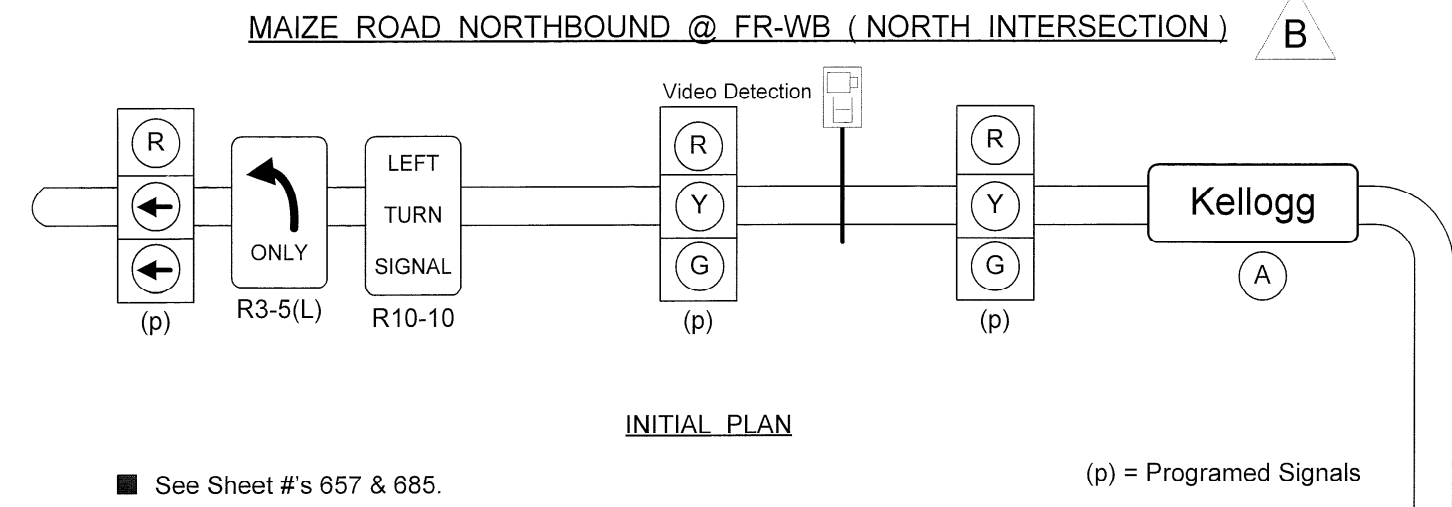


Delete "Left Turn Signal" Sign Delete both "Left Arrow Only" signs Add "Double Left Arrow" sign

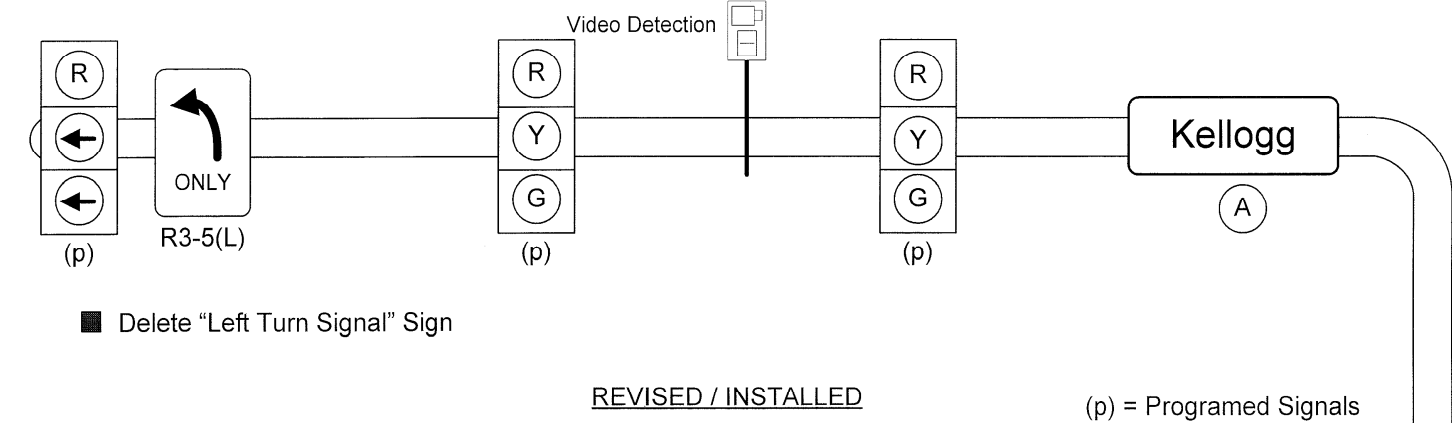
WEST KELLOGG FREEWAY – MAIZE AND TYLER ROAD INTERCHANGES
CITY OF WICHITA PROJECT NUMBER. 472 - 83533



West Kellogg Freeway – Maize and Tyler Road Interchanges
City of Wichita Project Number: 472 - 83533

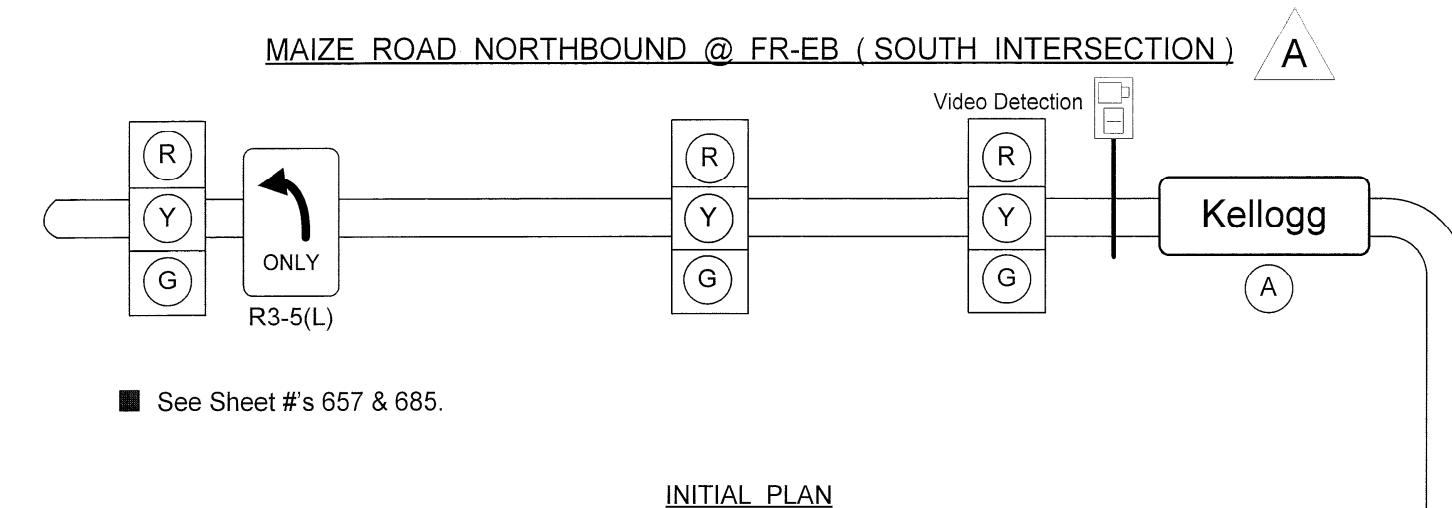


See Sheet #'s 657 & 685.

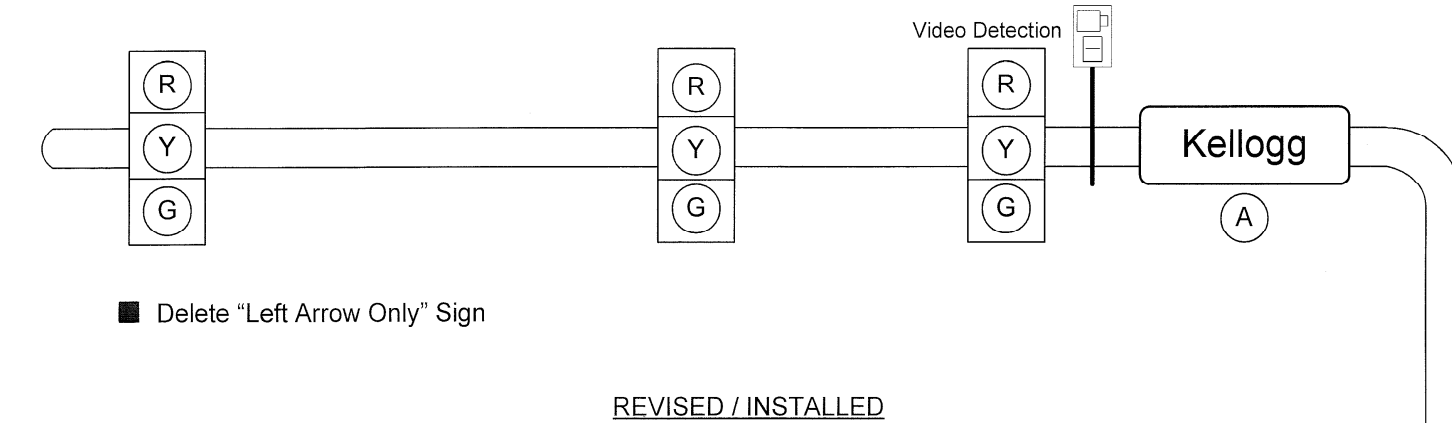


Delete "Left Turn Signal" Sign

West Kellogg Freeway – Maize and Tyler Road Interchanges
City of Wichita Project Number: 472 - 83533

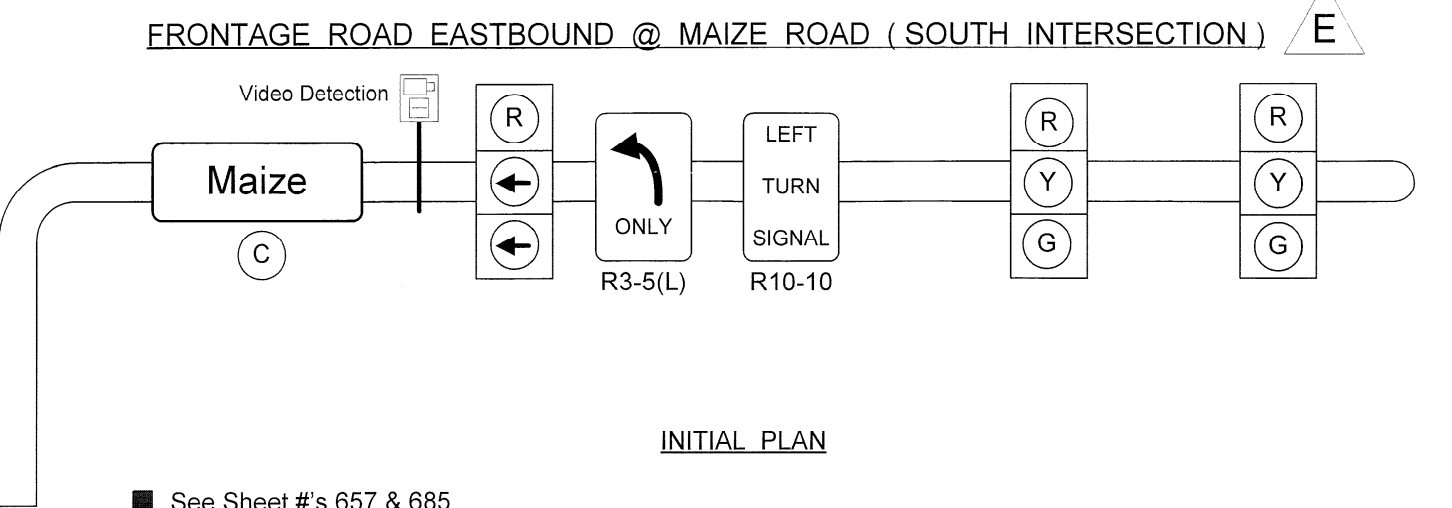


See Sheet #'s 657 & 685.

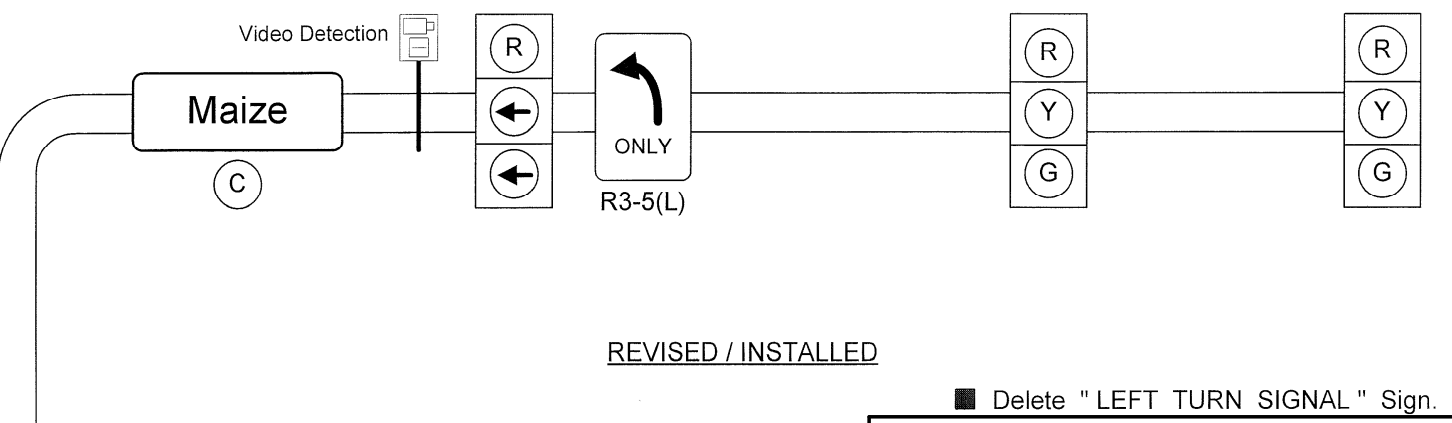


Delete "Left Arrow Only" Sign

West Kellogg Freeway – Maize and Tyler Road Interchanges
City of Wichita Project Number: 472 - 83533



See Sheet #'s 657 & 685.



Delete "LEFT TURN SIGNAL" Sign.

CITY OF WICHITA
TRAFFIC SIGNAL DETAILS
KELLOGG AND MAIZE ROAD
SEDGWICK COUNTY

Professional Engineering Consultants, P.A.
303 S. TOPEKA • WICHITA, KANSAS 67202
316-262-2691 • FAX 316-262-3003

Designed by	Checked by
Drawn by	Date
Job No. 97362	

RECORD DRAWING

DSNR: WDH OPER: JGP SCALE: i:/1997/97362/As-Builts/dgn/s/Vol_3/V8_Files_With_Rasters/Sh_657a-Maize-Traffic_Signal.dgn Last Rev: 9-19-07 By: gdr