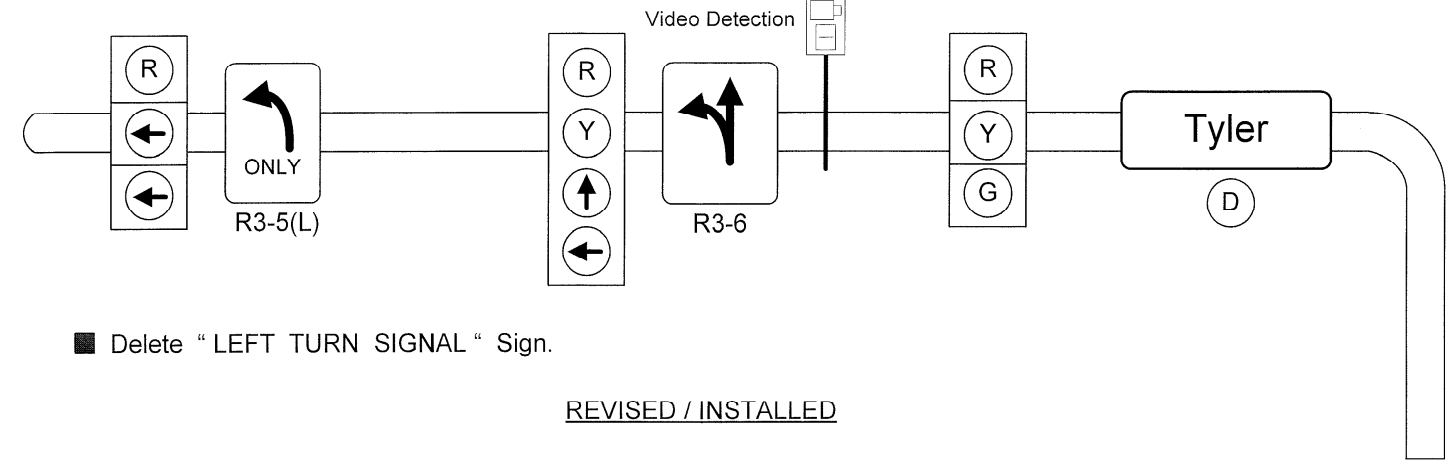
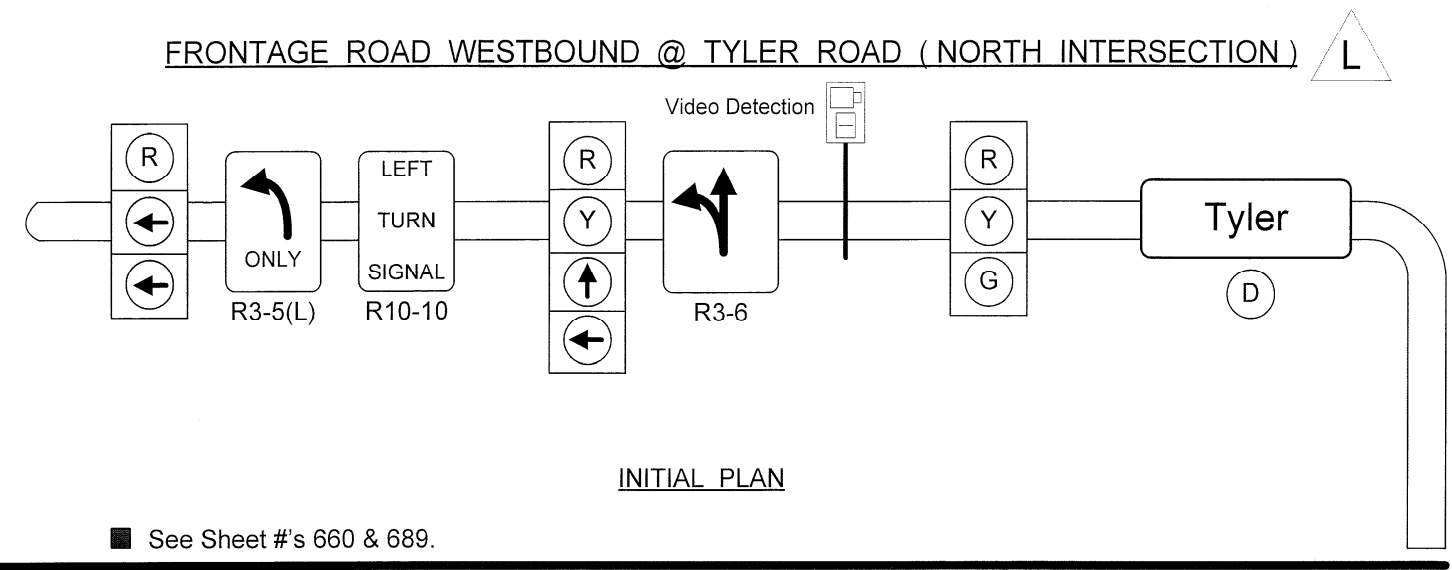
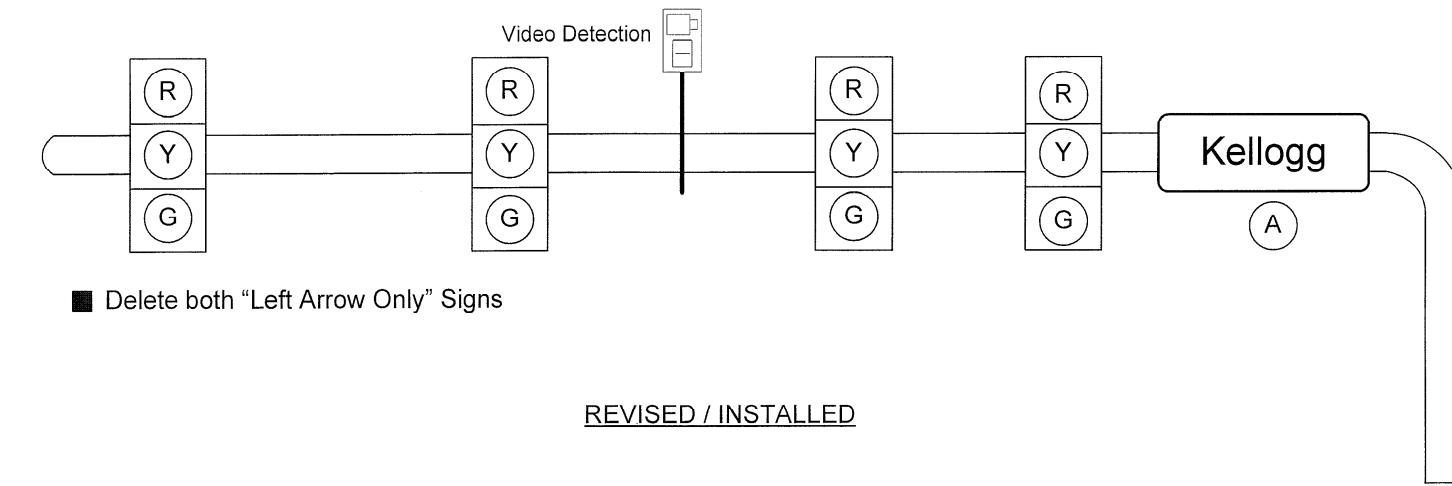
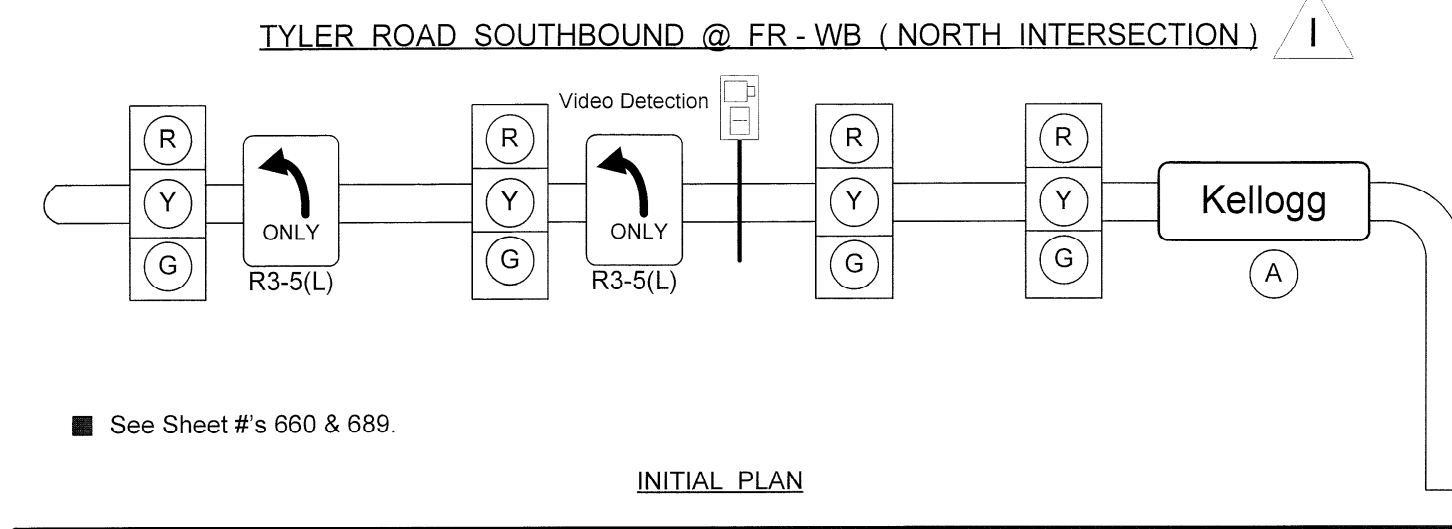


FHWA REGION NO.	STATE	PROJECT NO.	YEAR	SHEET NO.	TOTAL SHEETS
7	KANSAS	54-87 K-6657-01	2002	660g	1122

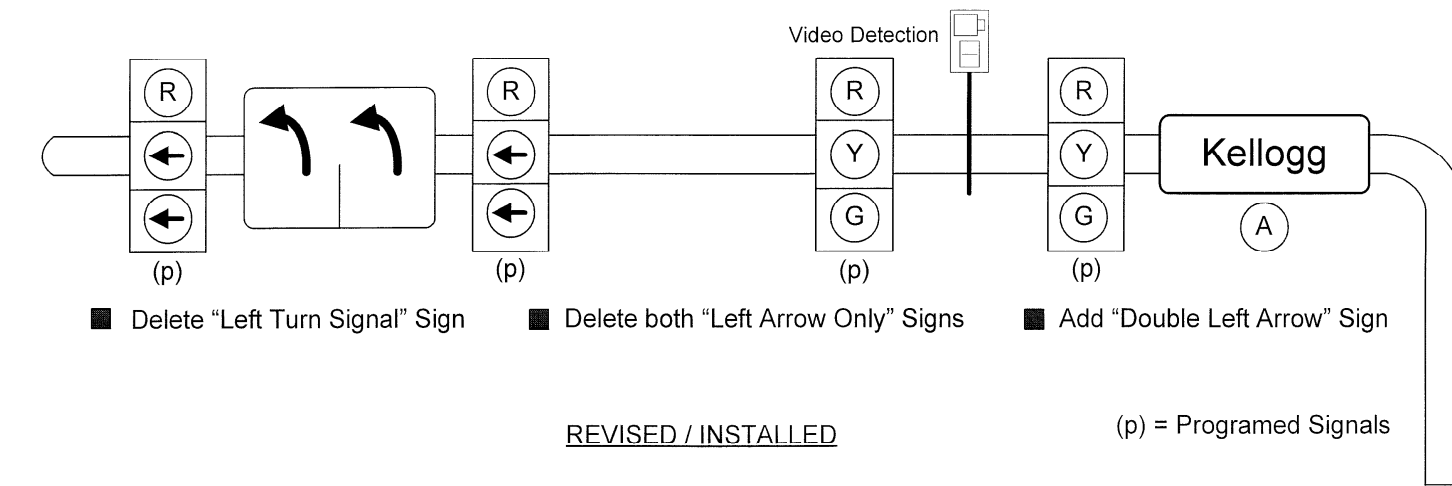
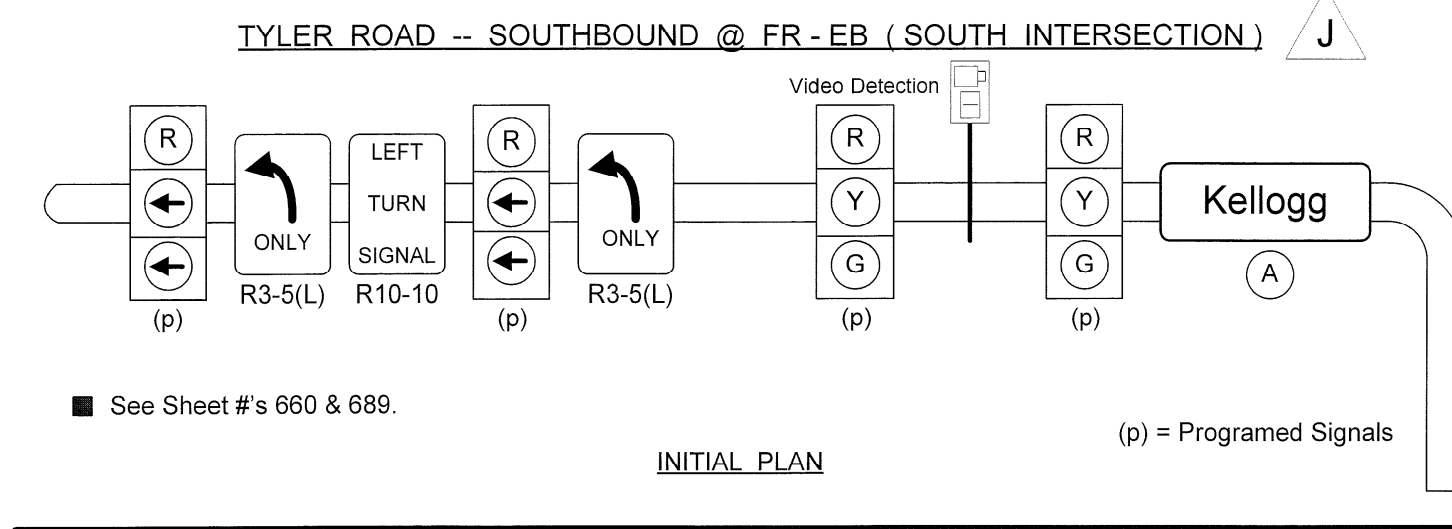
West Kellogg Freeway – Maize and Tyler Road Interchanges
City of Wichita Project Number: 472 - 83533



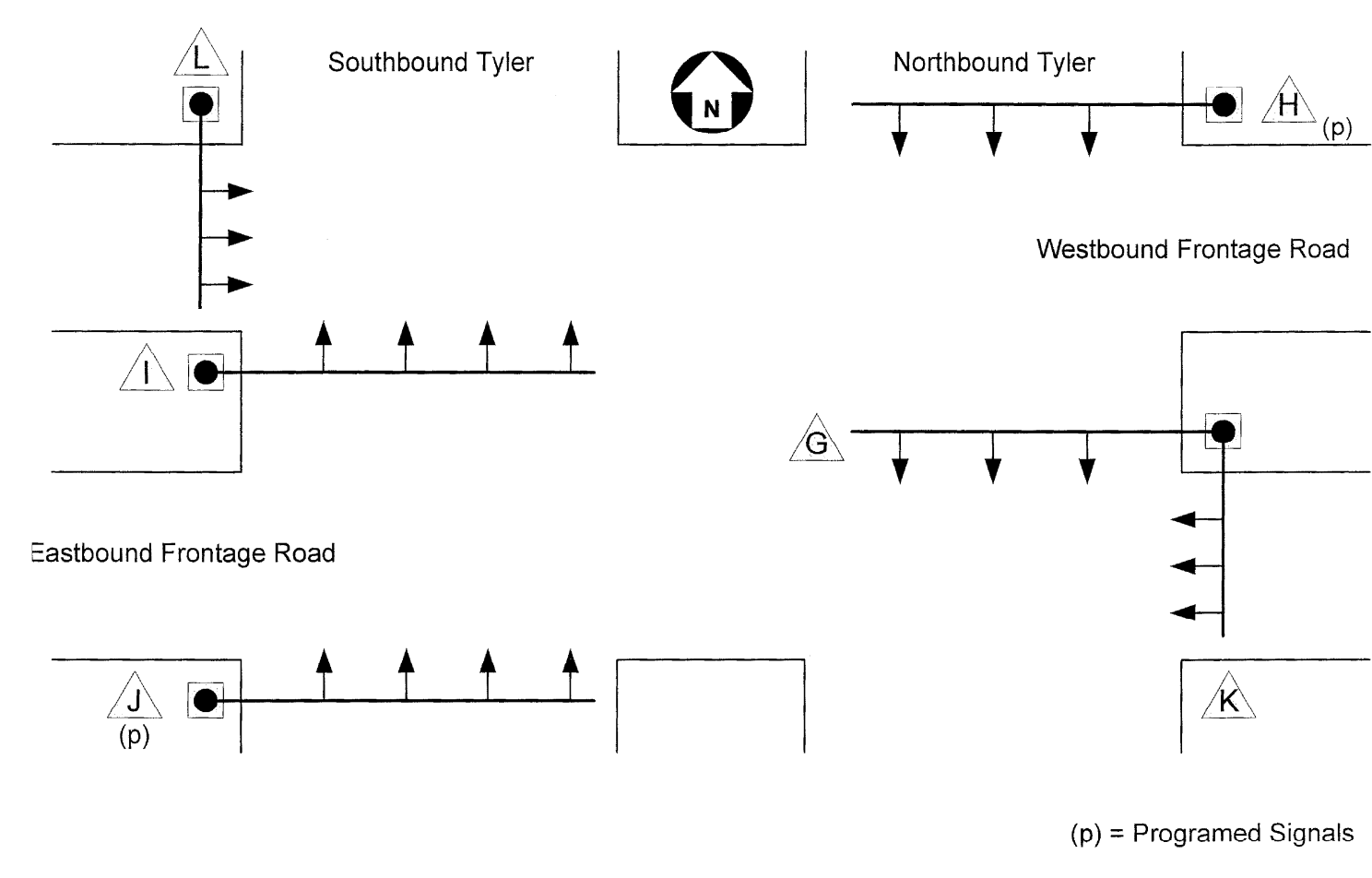
West Kellogg Freeway – Maize and Tyler Road Interchanges
City of Wichita Project Number: 472 - 83533



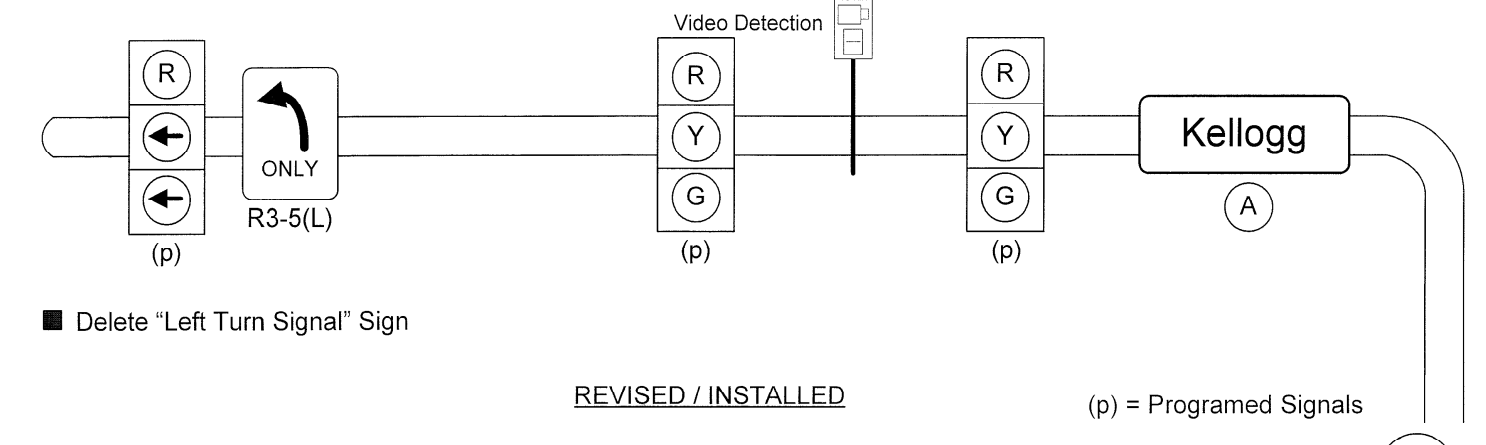
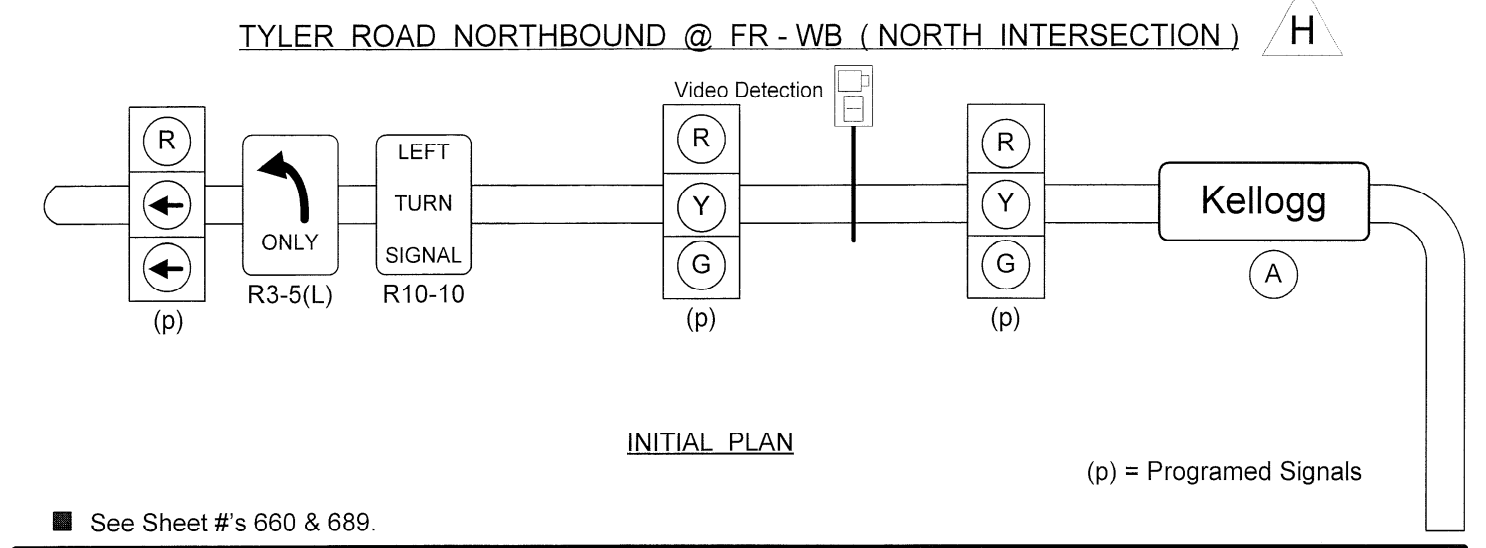
West Kellogg Freeway – Maize and Tyler Road Interchanges
City of Wichita Project Number: 472 - 83533



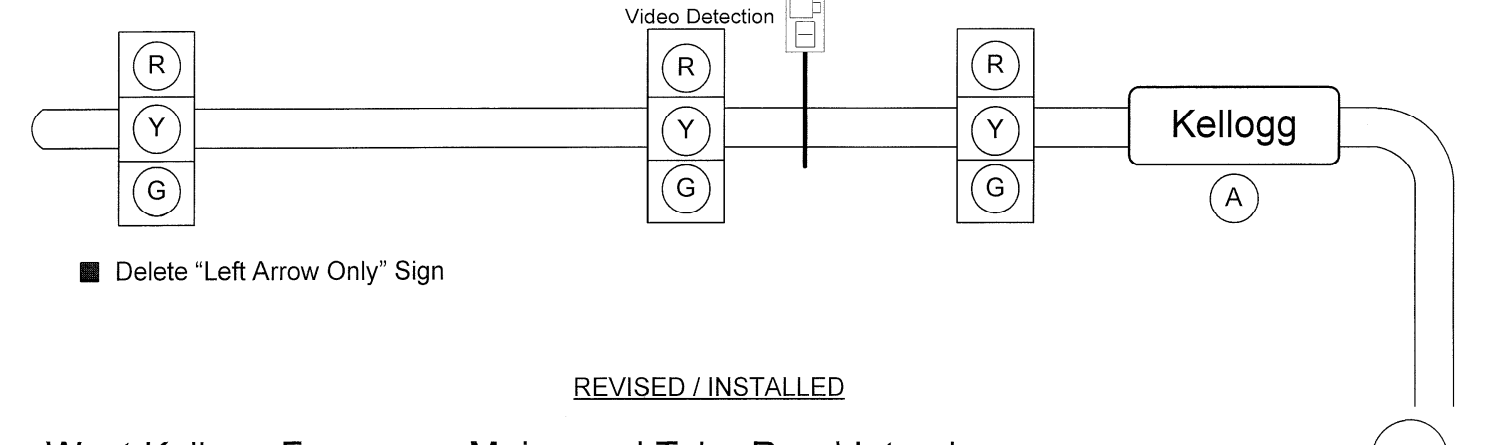
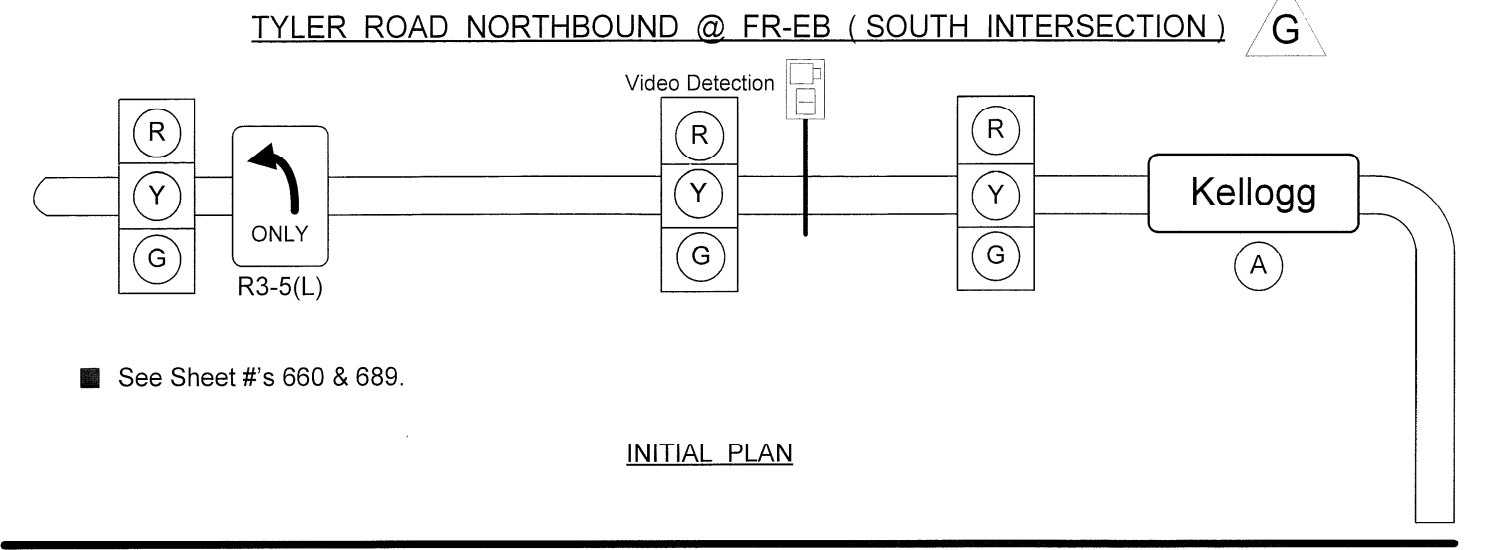
Tyler Road Traffic Signal Location Plan



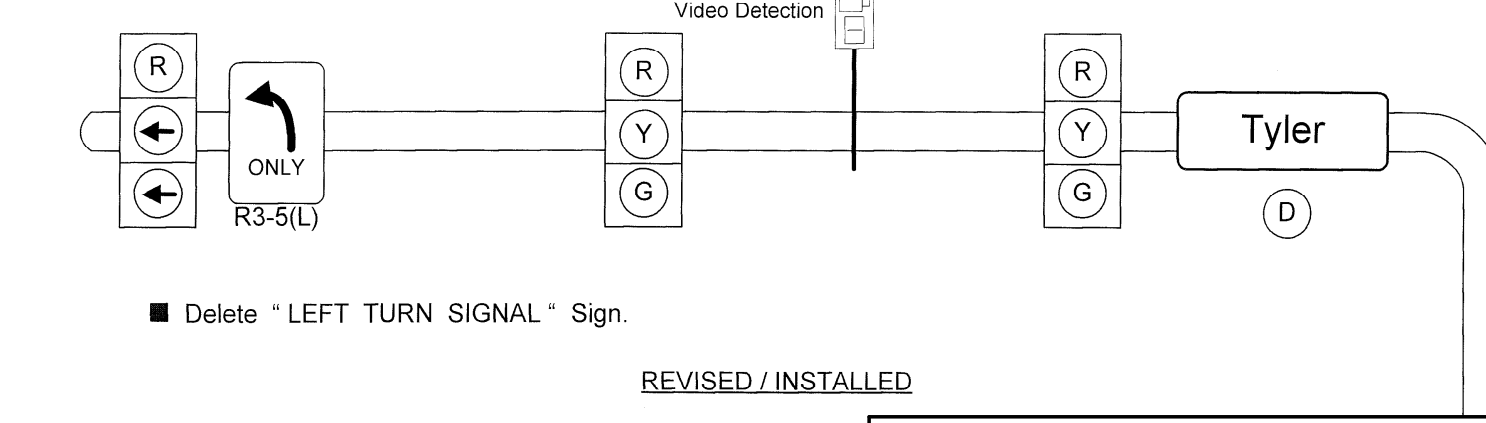
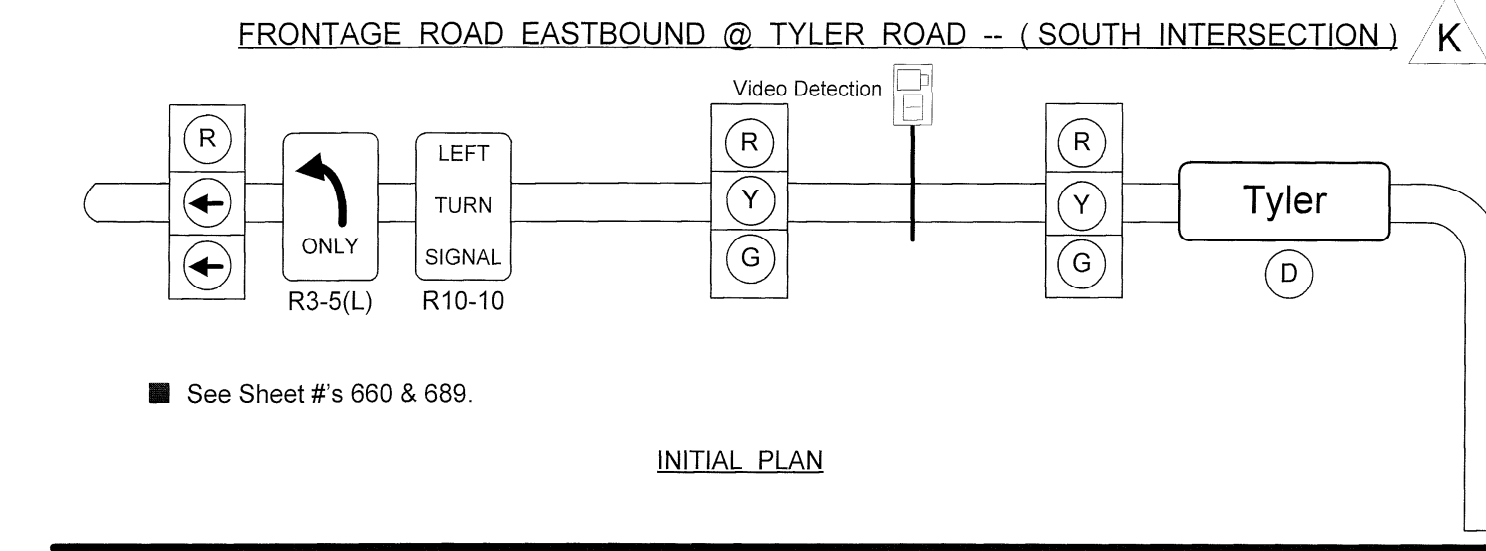
West Kellogg Freeway – Maize and Tyler Road Interchanges
City of Wichita Project Number: 472 - 83533



West Kellogg Freeway – Maize and Tyler Road Interchanges
City of Wichita Project Number: 472 - 83533



West Kellogg Freeway – Maize and Tyler Road Interchanges
City of Wichita Project Number: 472 - 83533



DSNR: WDH OPER: JGP SCALE: i:/1997/97362/As-Builts/dgn/s/Vol_3/V8_Files_With_Rasters/Sh_660a-Tyler-Traffic_Signal.dgn Last Rev: 9-19-07 By: gdr

RECORD DRAWING

CITY OF WICHITA
TRAFFIC SIGNAL DETAILS
KELLOGG AND TYLER ROAD
SEDGWICK COUNTY

Professional Engineering Consultants, P.A.
303 S. TOPEKA • WICHITA, KANSAS 67202
316-262-2691 • FAX 316-262-3003

Designed by	Checked by
Drawn by	Date
Job No. 97362	