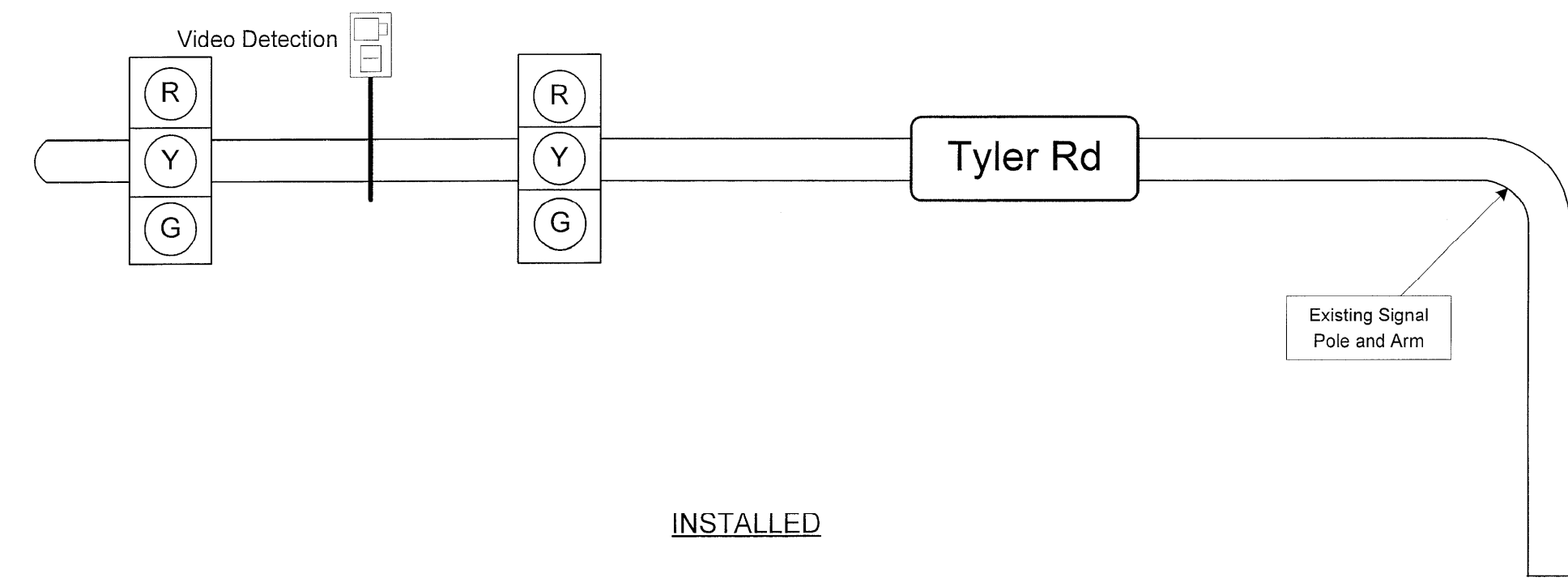
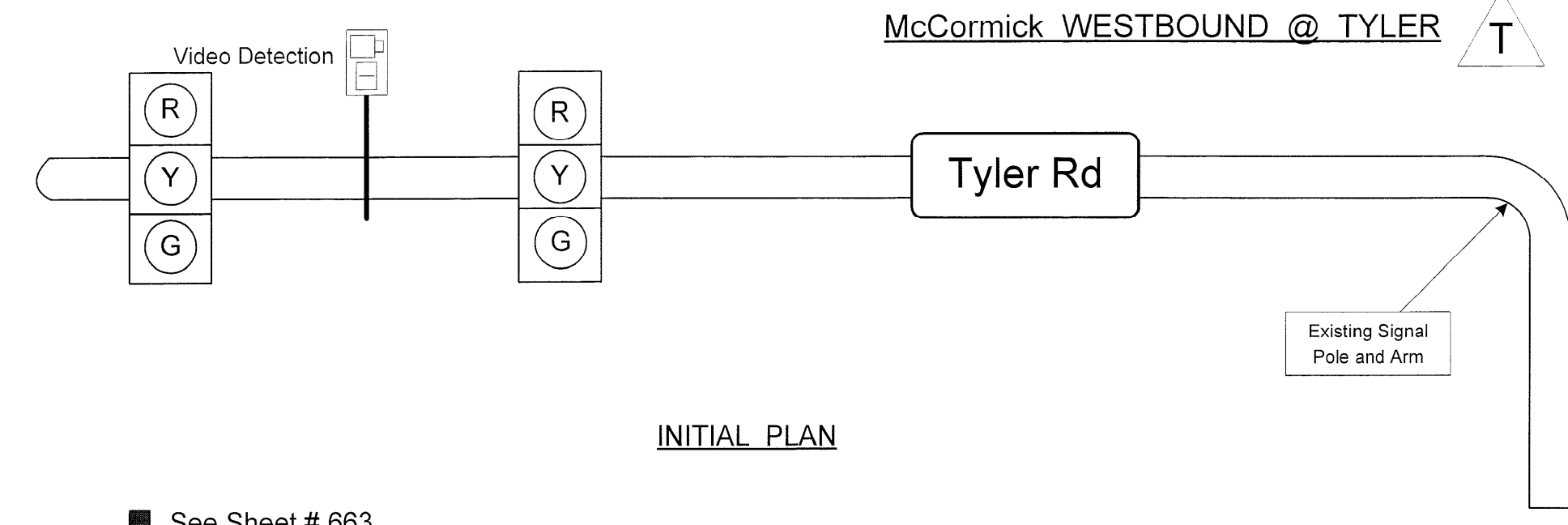
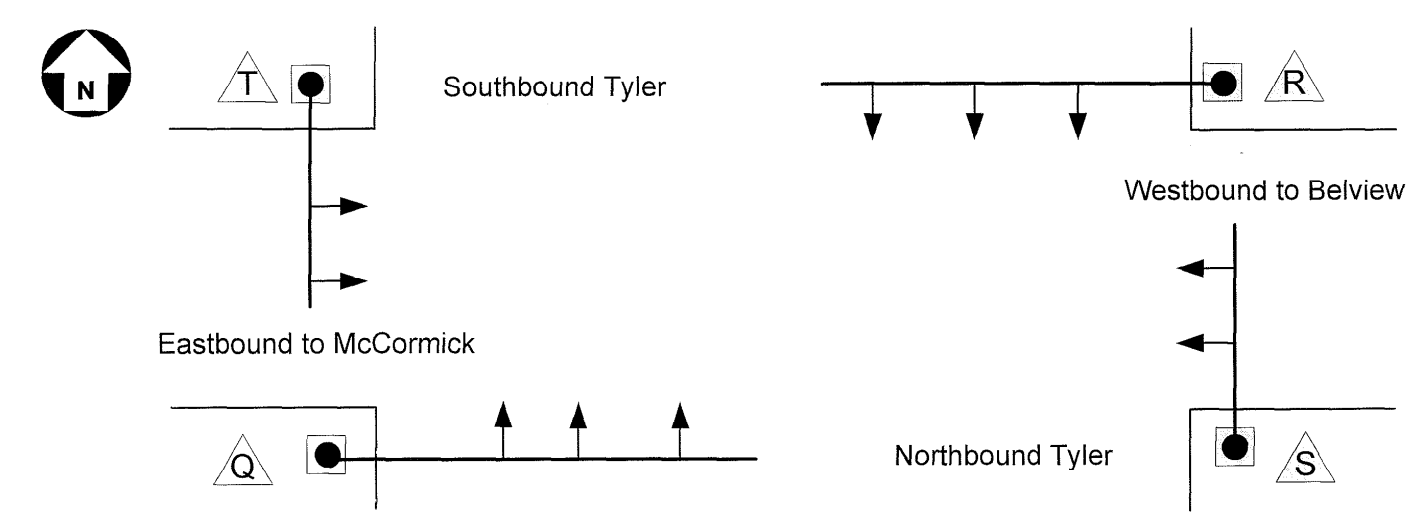
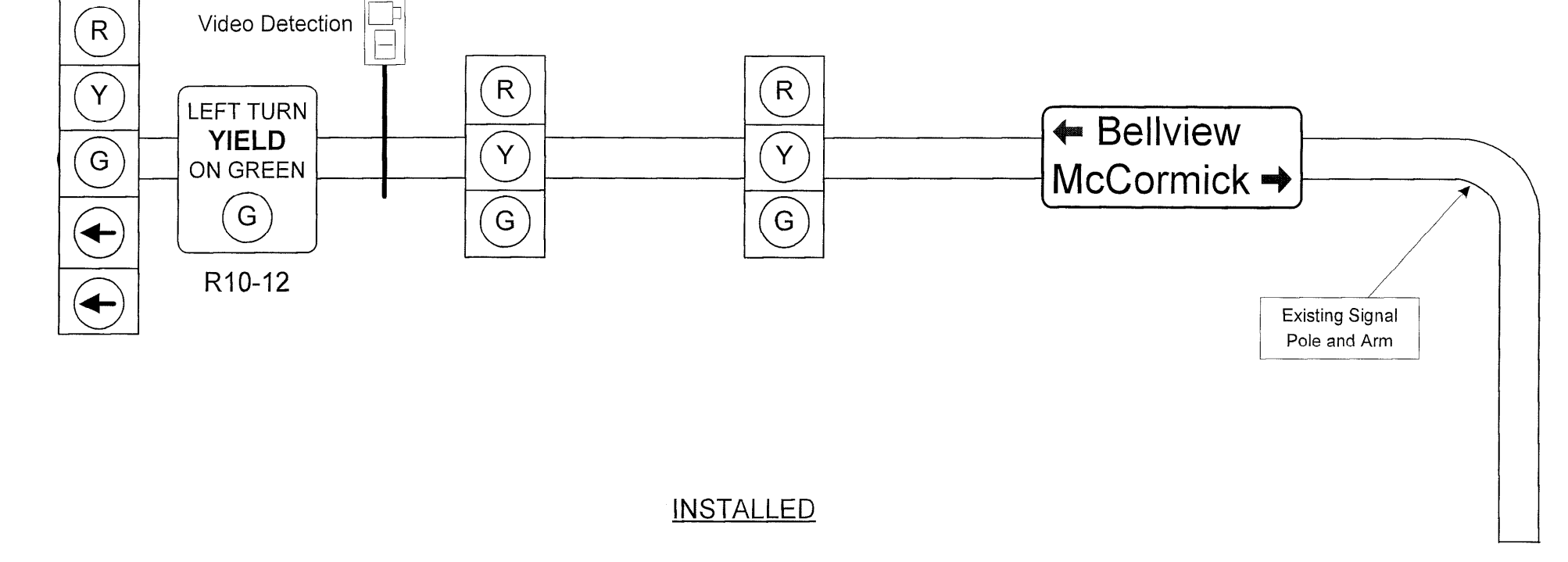
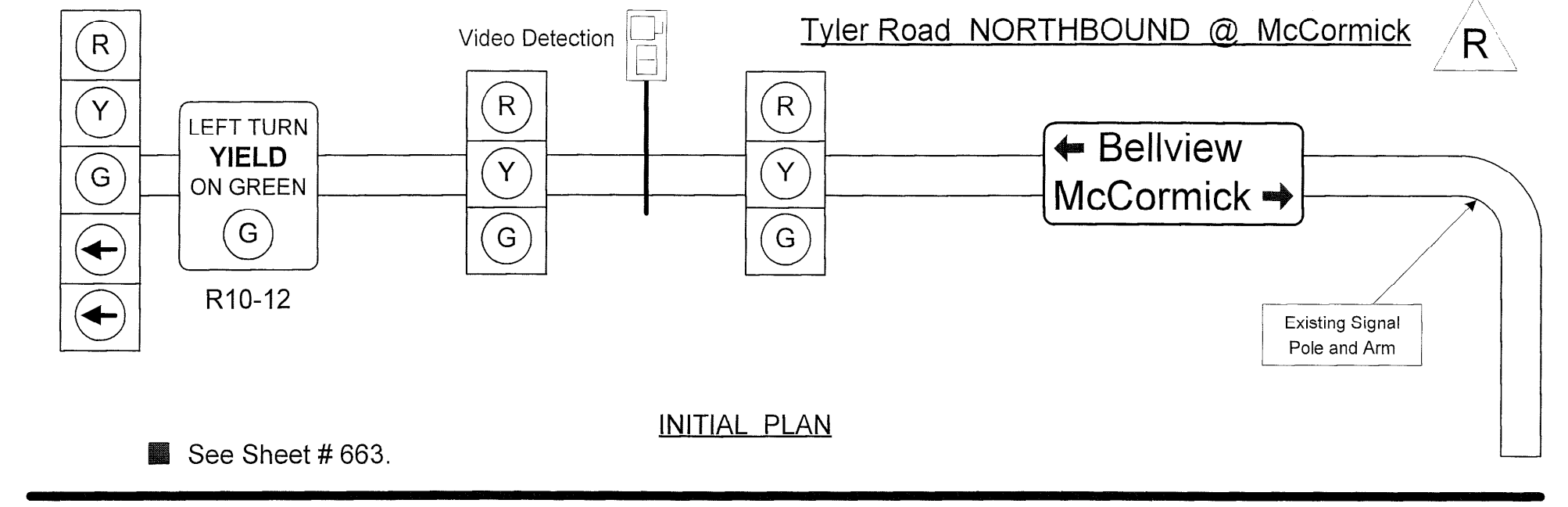


FHWA REGION NO.	STATE	PROJECT NO.	YEAR	SHEET NO.	TOTAL SHEETS
7	KANSAS	54-87 K-6657-01	2002	663g	1122

West Kellogg Freeway – Maize and Tyler Road Interchanges
City of Wichita Project Number: 472 - 83533

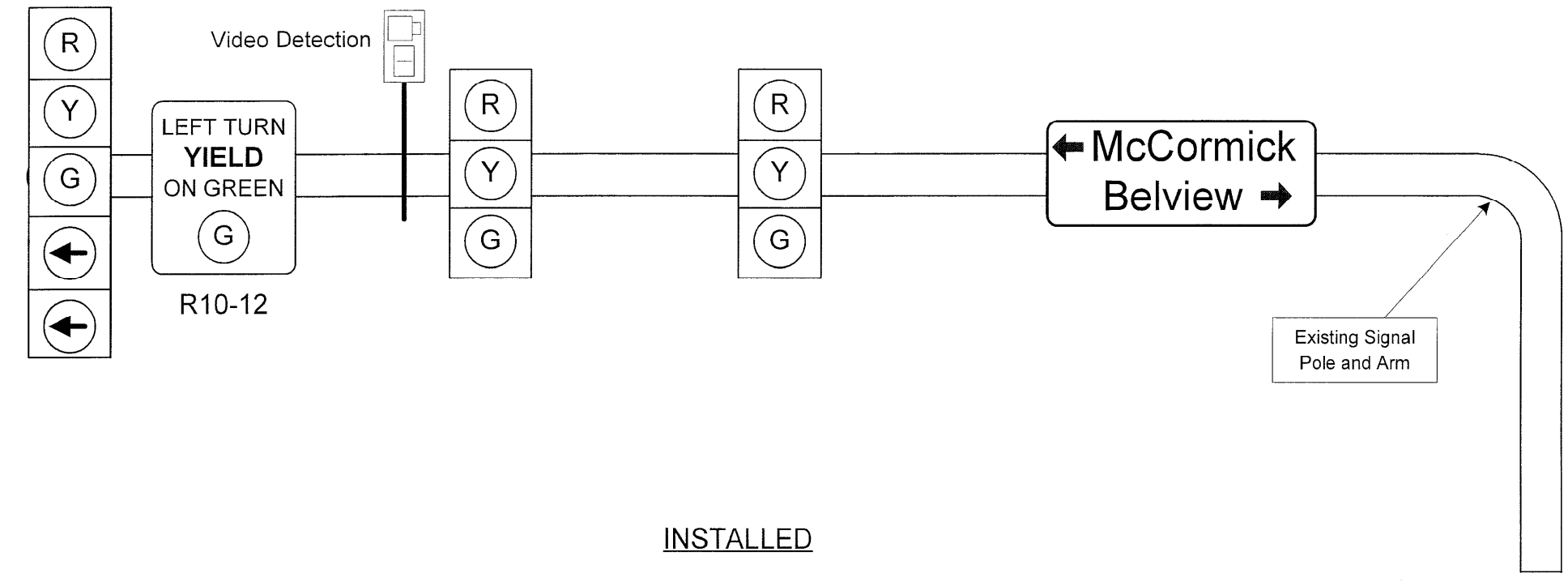
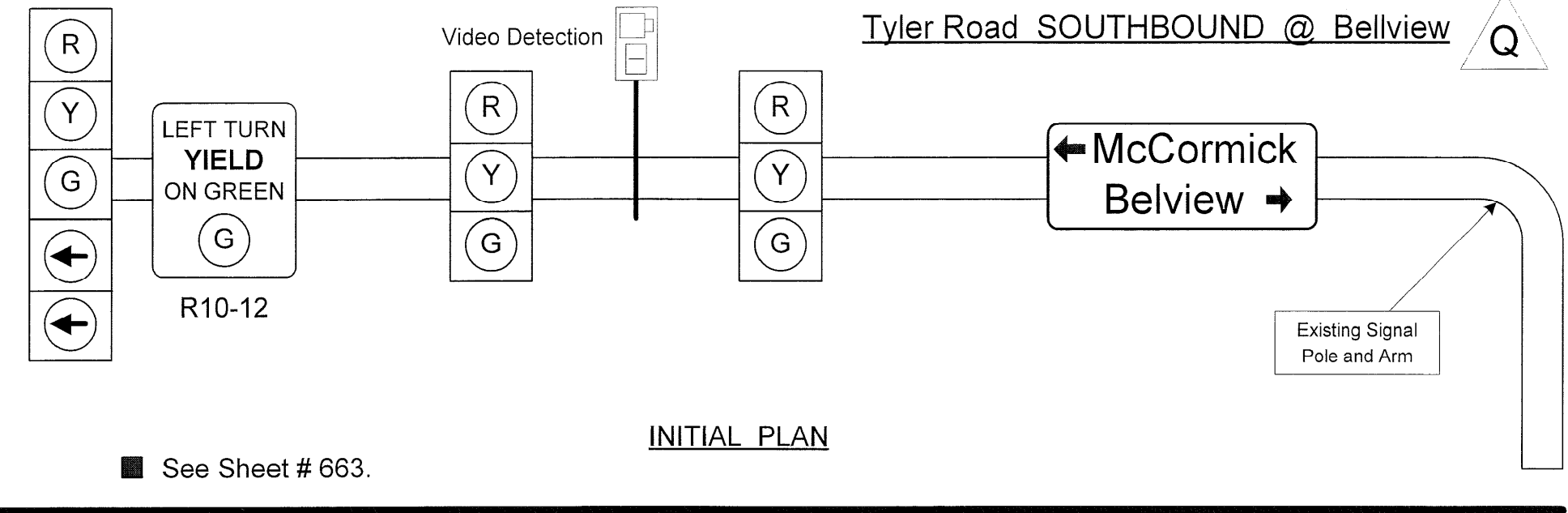


West Kellogg Freeway – Maize and Tyler Road Interchanges
City of Wichita Project Number: 472 - 83533

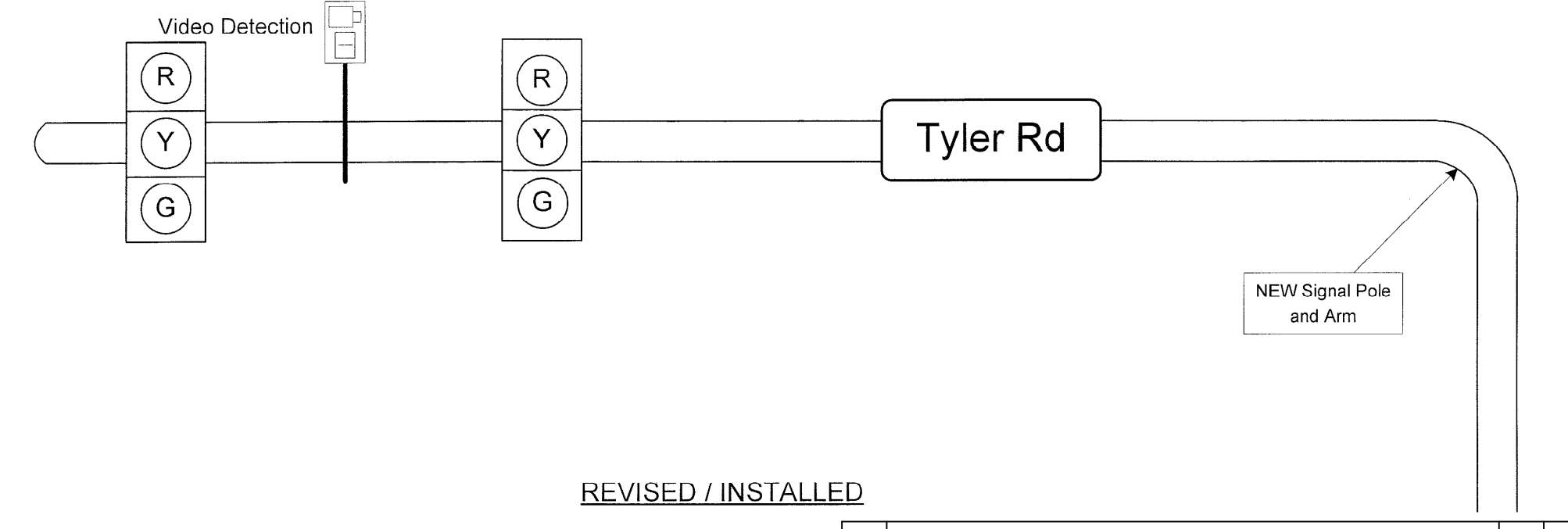
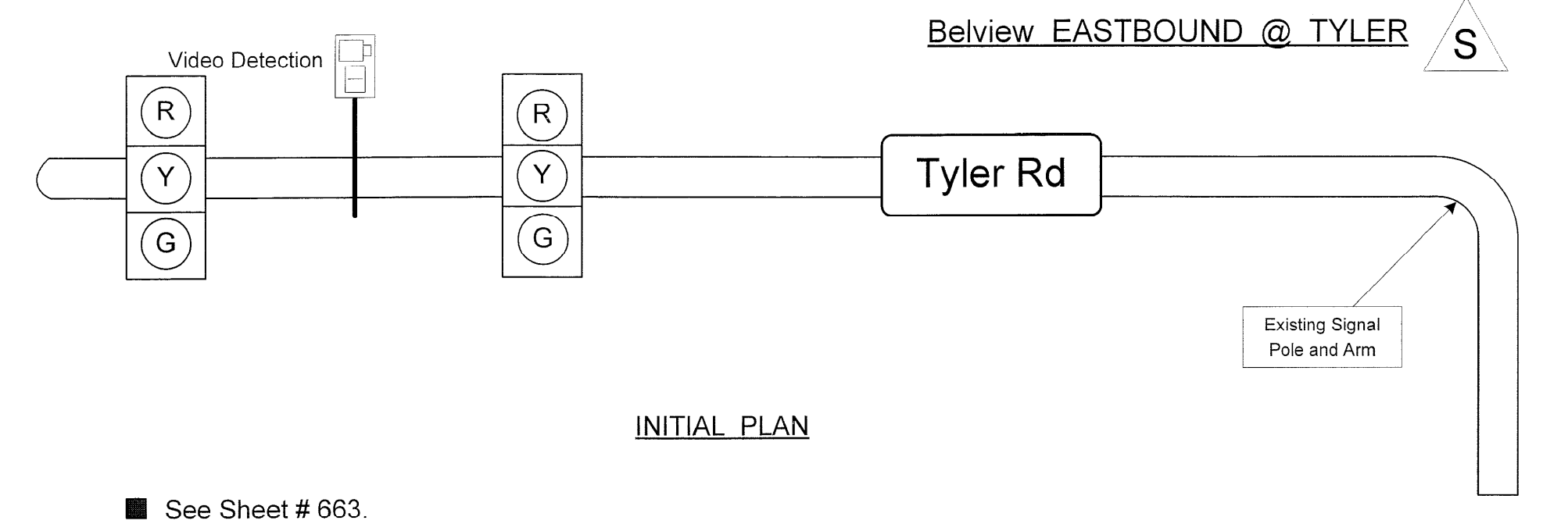


Tyler Road at McCormick/Belview Traffic Signal Location Plan

West Kellogg Freeway – Maize and Tyler Road Interchanges
City of Wichita Project Number: 472 - 83533



West Kellogg Freeway – Maize and Tyler Road Interchanges
City of Wichita Project Number: 472 - 83533



No.	Revisions	By	Date
CITY OF WICHITA			
TRAFFIC SIGNAL DETAILS KELLOGG AND TYLER ROAD			
SEDGWICK COUNTY			
Professional Engineering Consultants, P.A. 303 S. TOPEKA • WICHITA, KANSAS 67202 316-262-2691 • FAX 316-262-3003			
Designed by	Checked by		
Drawn by	Date	Job No.	97362

RECORD DRAWING

DSWP: WDH OPER: JGP SCALE: i:/1997/97362/As-Builts/dgn/s/Vol_3/V8_Files_With_Rasters/Sh_663a-Tyler-Traffic_Signal.dgn Last Rev: 9-19-07 By: gdr