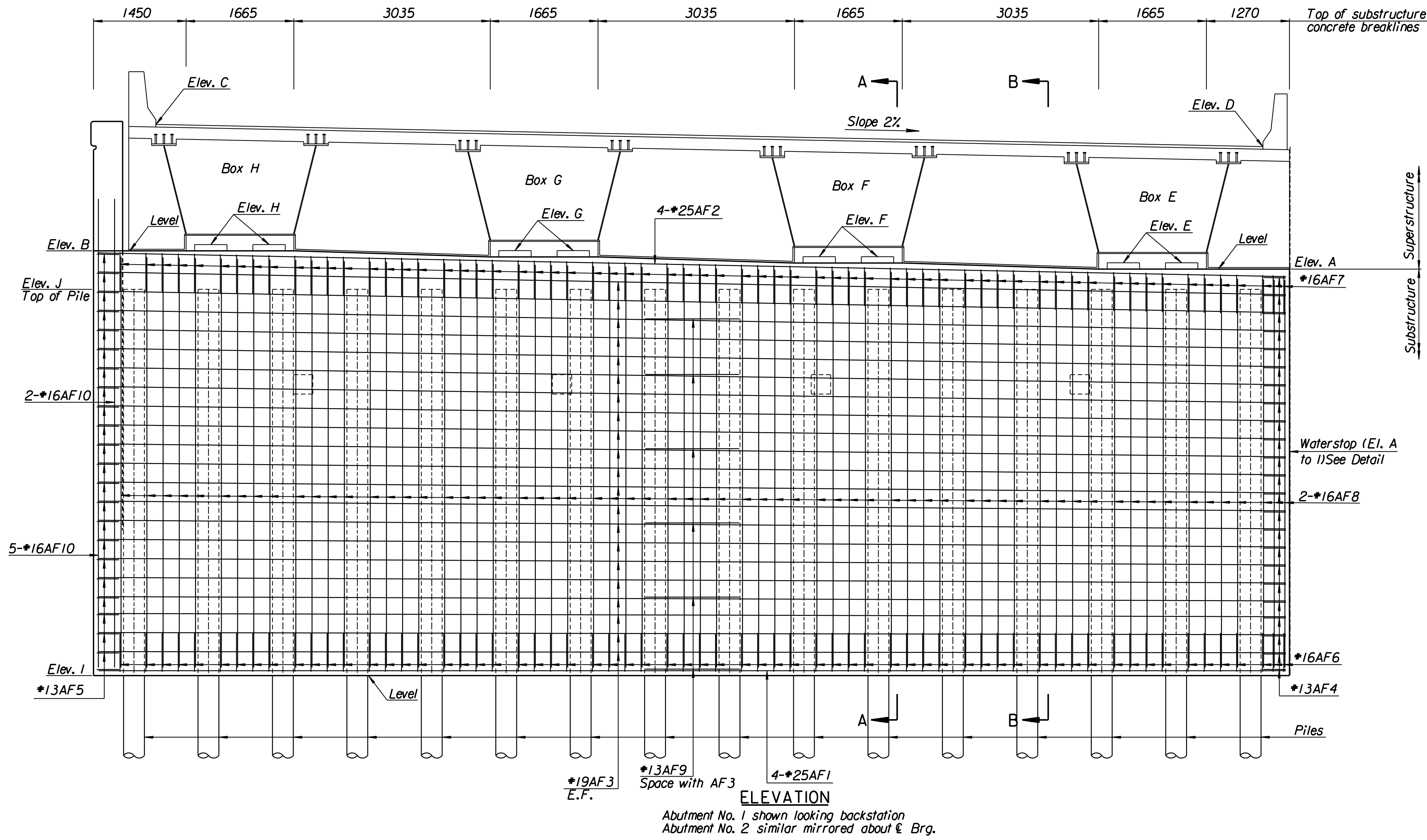
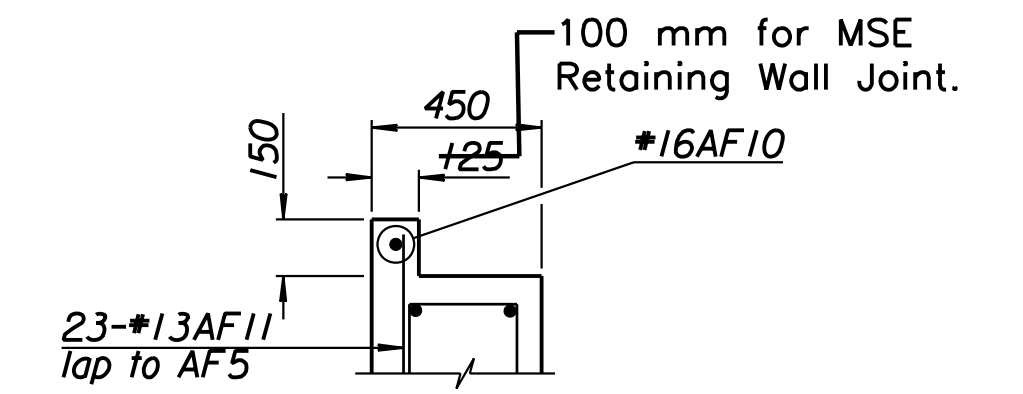
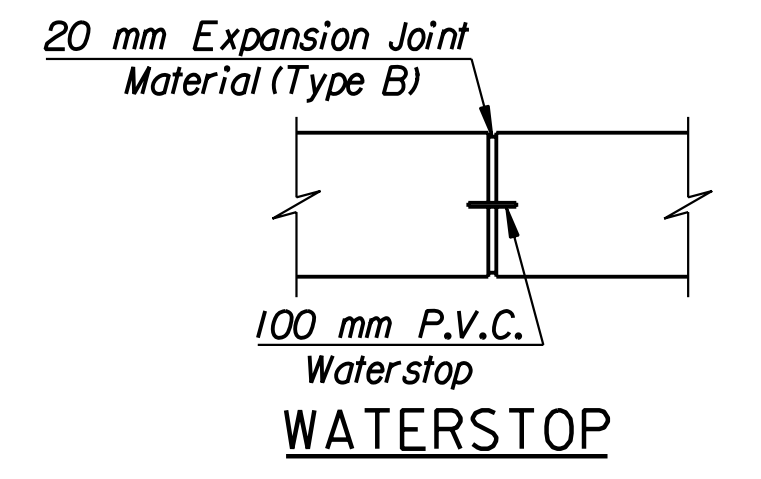


STATE	PROJECT NO.	YEAR	SHEET NO.	TOTAL SHEETS
KANSAS	54-87 K-6657-01	2002	445	1122



LEGEND:
N.F. = Near Face
F.F. = Far Face
E.F. = Each Face



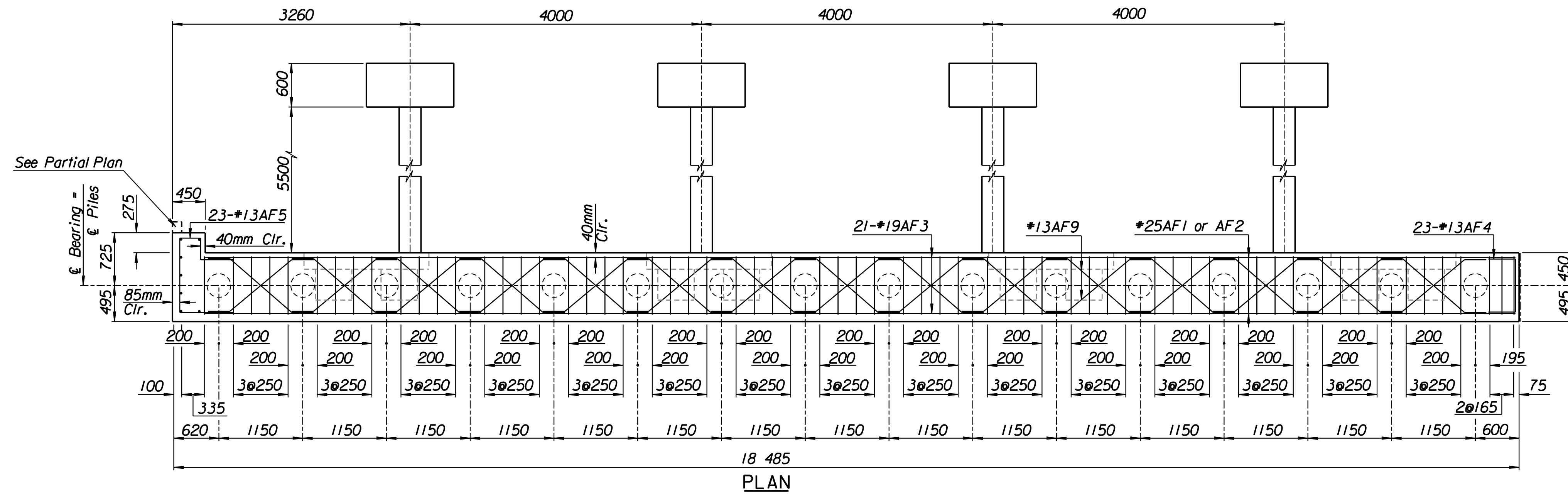
This detail complies with the Alt. No. 2.
NOTE: For Alt. No. 1 detail see plan this sheet.
Additional reinforcing required for Alt. No. 2 bid is 1-#16AF10 and 23-#13AF11. Additional concrete and reinforcing are considered subsidiary.

TABLE OF ELEVATIONS

Location	Abut. #1 Elevation	Abut. #2 Elevation	
Elev. A	408.914	408.500	
Elev. B	409.196	408.783	
Elev. C	411.146	410.733	
Elev. D	410.806	410.392	
Elev. E	409.041	408.597	408.996
Elev. F	409.105	408.691	409.090
Elev. G	409.199	408.706	409.184
Elev. H	409.293	408.800	409.278
Elev. I	402.636	402.220	
Elev. J	408.710	408.300	

Abutment Pile Loadings (kN)

Group / Loading	Actual	Allowable
Group 1 Loading	425	440



No.	Revisions	By	Date
CITY OF WICHITA			
BR. NO. 54-87-19.06(49) E.B.		STA. 15+612.397	
KELLOGG OVER MAIZE ROAD ABUTMENT DETAILS			
SEDGWICK COUNTY			
Professional Engineering Consultants, P.A. 303 S. TOPEKA - WICHITA, KANSAS 67202 316-262-2601 • FAX 316-262-3003			
Designed by	RAS	Checked by	RAS
Drawn by	RAS	Date	April, 2002
		Job No.	97362

RECORD DRAWING

Drawn By: ras
 I:/1997/97362/As-Builts/dgn's/Vol_3/Sh 445-abrmtb.dgn Last Rev: 8-30-07 By: gdr