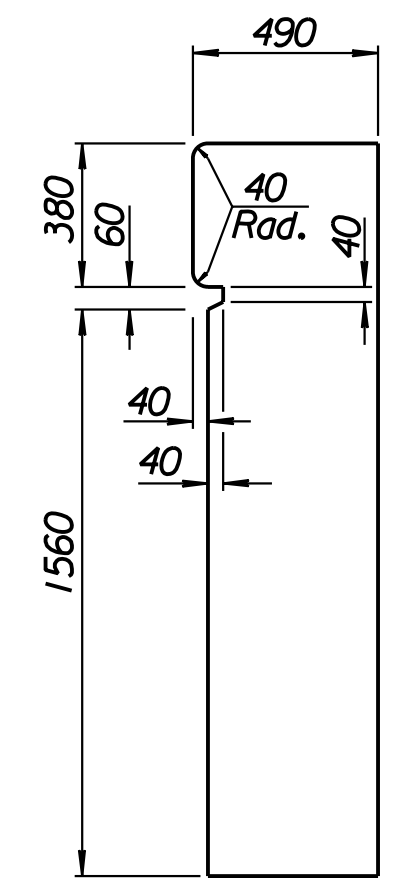
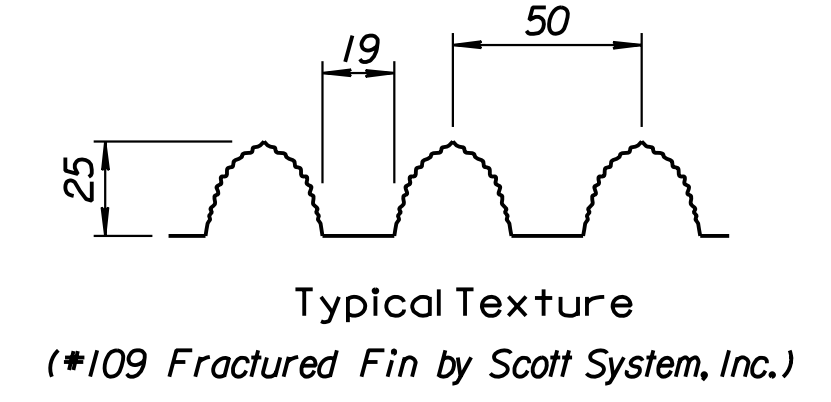
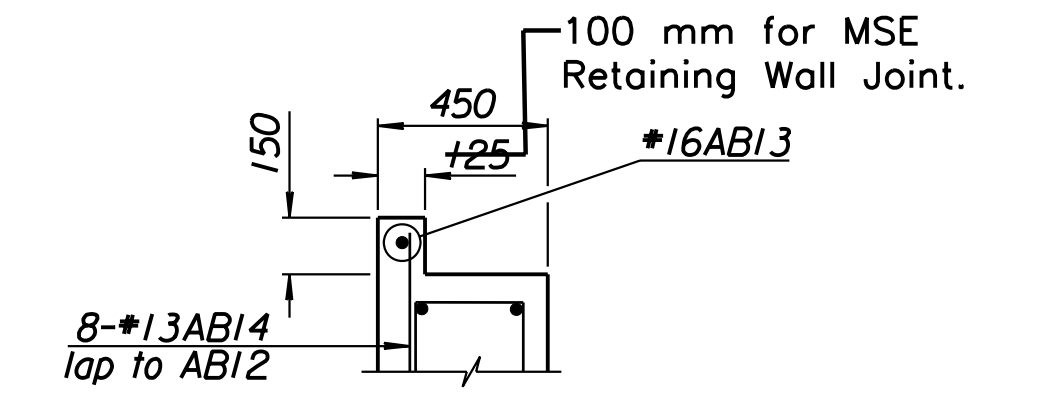
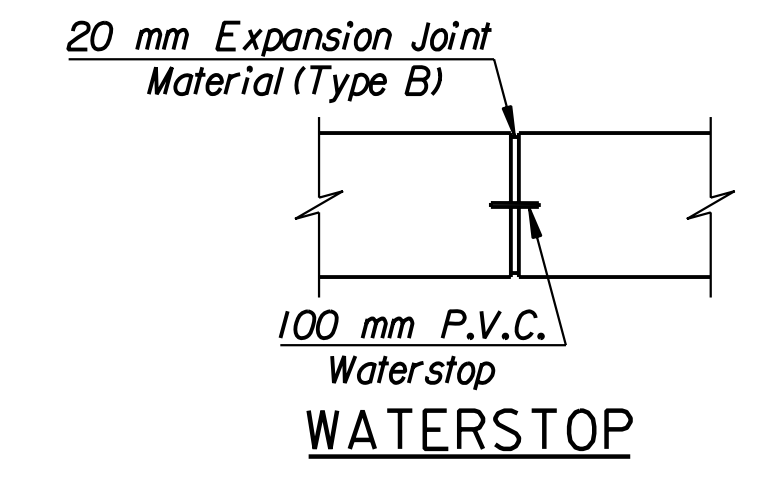


STATE	PROJECT NO.	YEAR	SHEET NO.	TOTAL SHEETS
KANSAS	54-87 K-6657-01	2002	446	1122

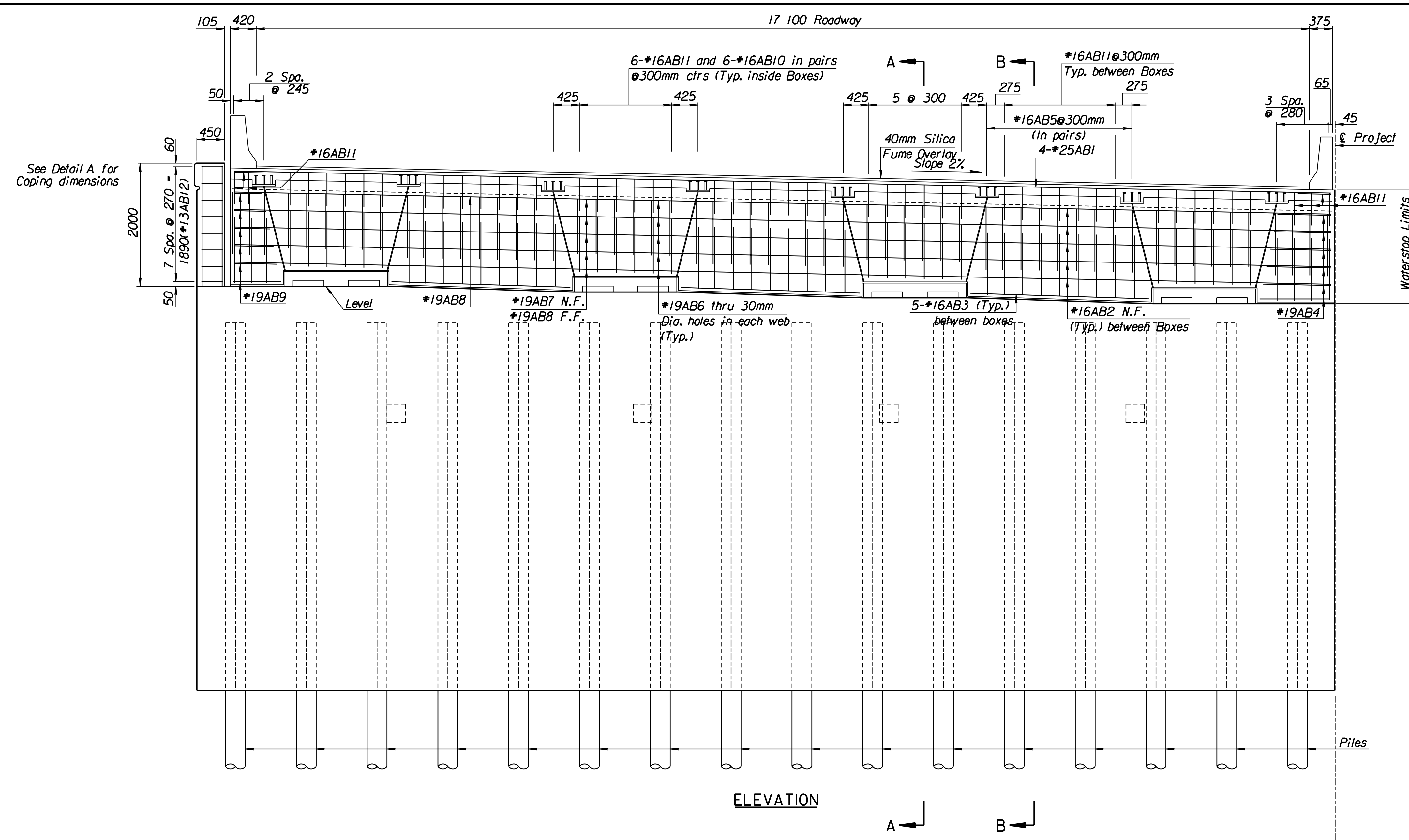


SUPERSTRUCTURE DETAIL A



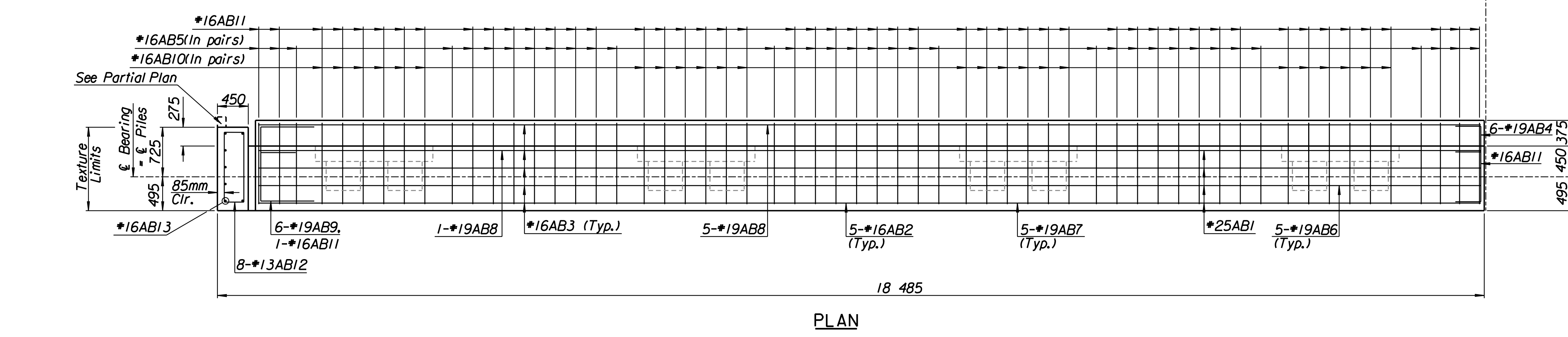
PARTIAL PLAN

This detail complies with the Alt. No. 2.  
 NOTE: For Alt. No. 1 detail see plan this sheet.  
 Additional reinforcing required for Alt. No. 2 bid is 1-\*16AB13 and 8-\*13AB14. Additional concrete and reinforcing are considered subsidiary.



ELEVATION

Abutment No. 1 shown looking backstation  
 Abutment No. 2 similar mirrored about C Brg.



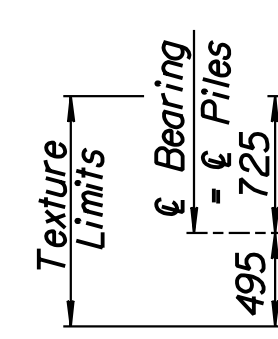
PLAN

See Detail A for Coping dimensions

Waterstop Limits  
 See Detail  
 Superstructure  
 Substructure

LEGEND:  
 N.F. = Near Face  
 F.F. = Far Face  
 E.F. = Each Face

See Partial Plan



Drawn By: ras  
 I:/1997/97362/As-Builts/dgn's/Vol\_3/Sh 446-abrmtab.dgn Last Rev: 8-30-07 By: gdr

RECORD DRAWING

No.	Revisions	By	Date
CITY OF WICHITA			
BR. NO. 54-87-19.06(49) E.B.		STA. 15+612.397	
<b>KELLOGG OVER MAIZE ROAD ABUTMENT DETAILS</b>			
SEDGWICK COUNTY			
<b>Professional Engineering Consultants, P.A.</b> 303 S. TOPEKA - WICHITA, KANSAS 67202 316-262-2691 • FAX 316-262-3003			
Designed by	RAS	Checked by	RAS
Drawn by	RAS	Date	April, 2002
		Job No.	97362