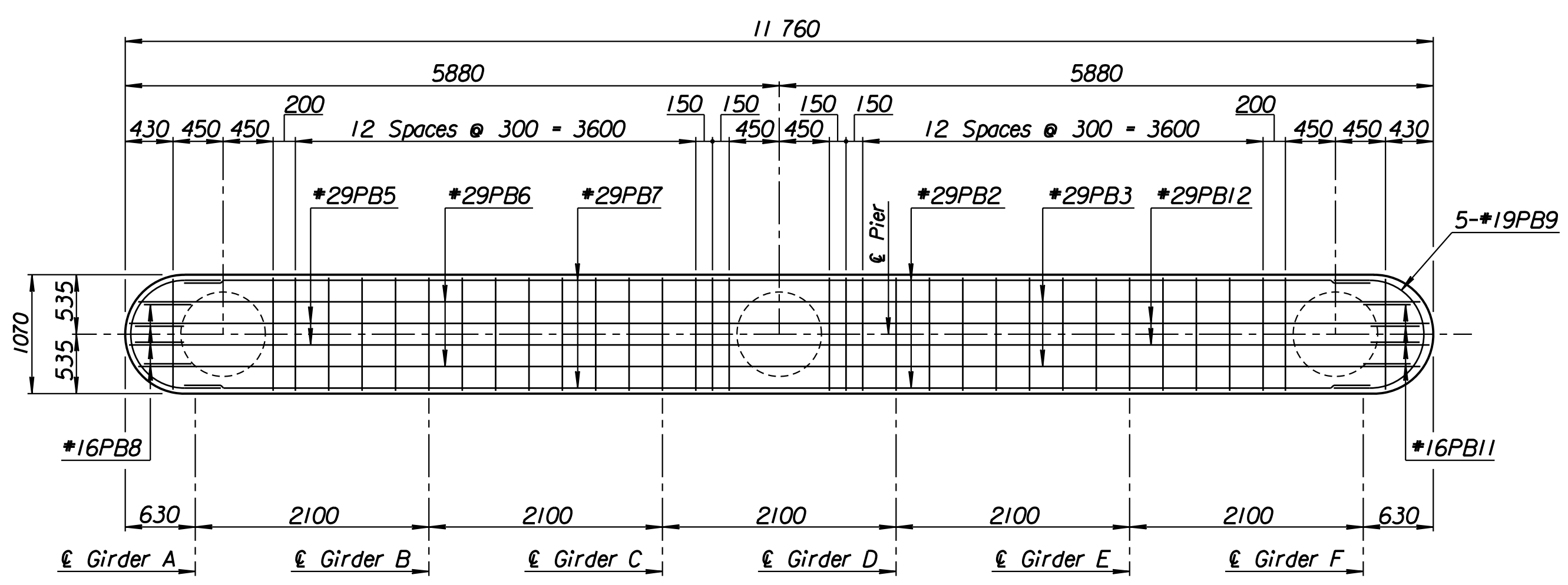
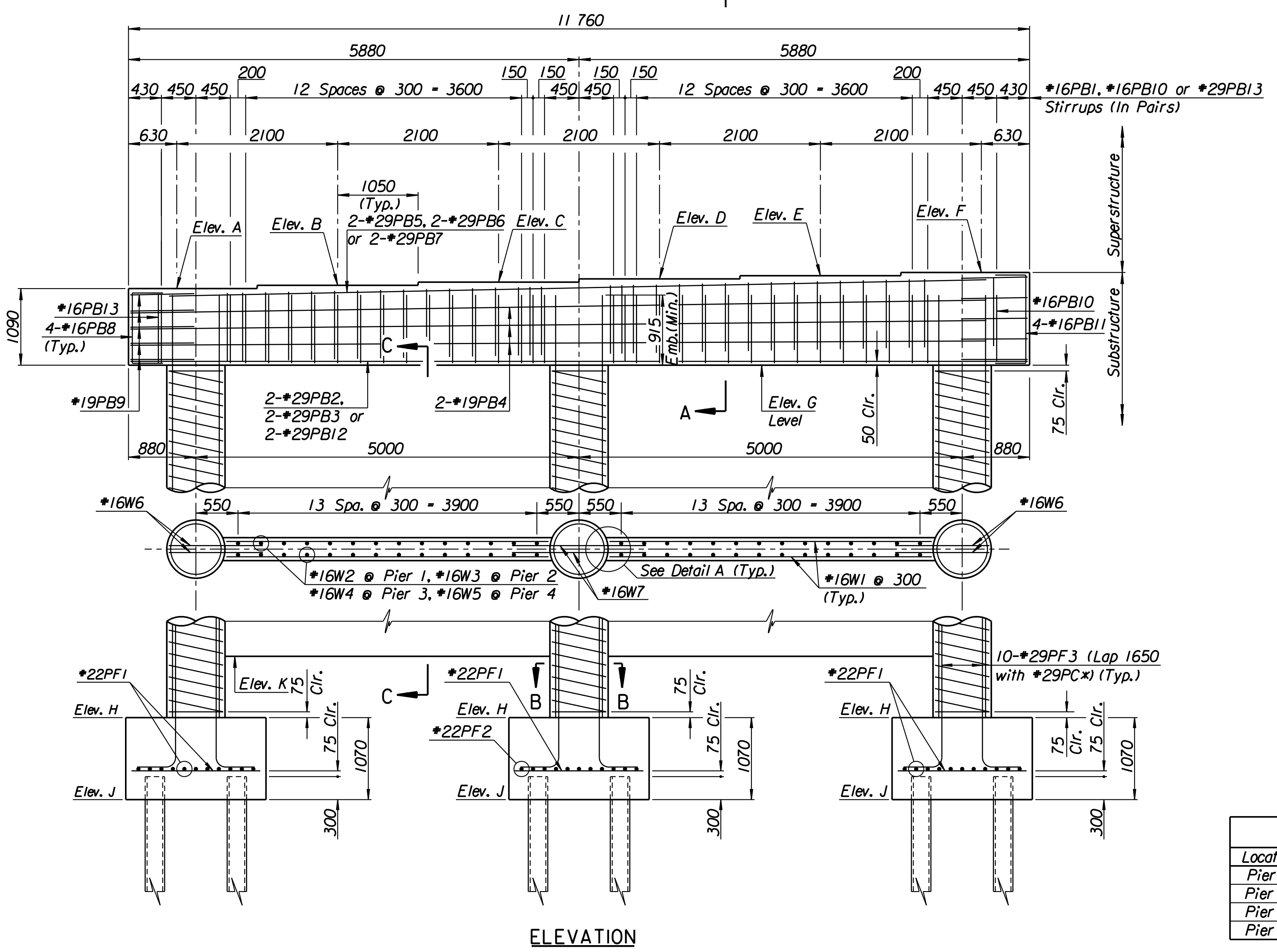


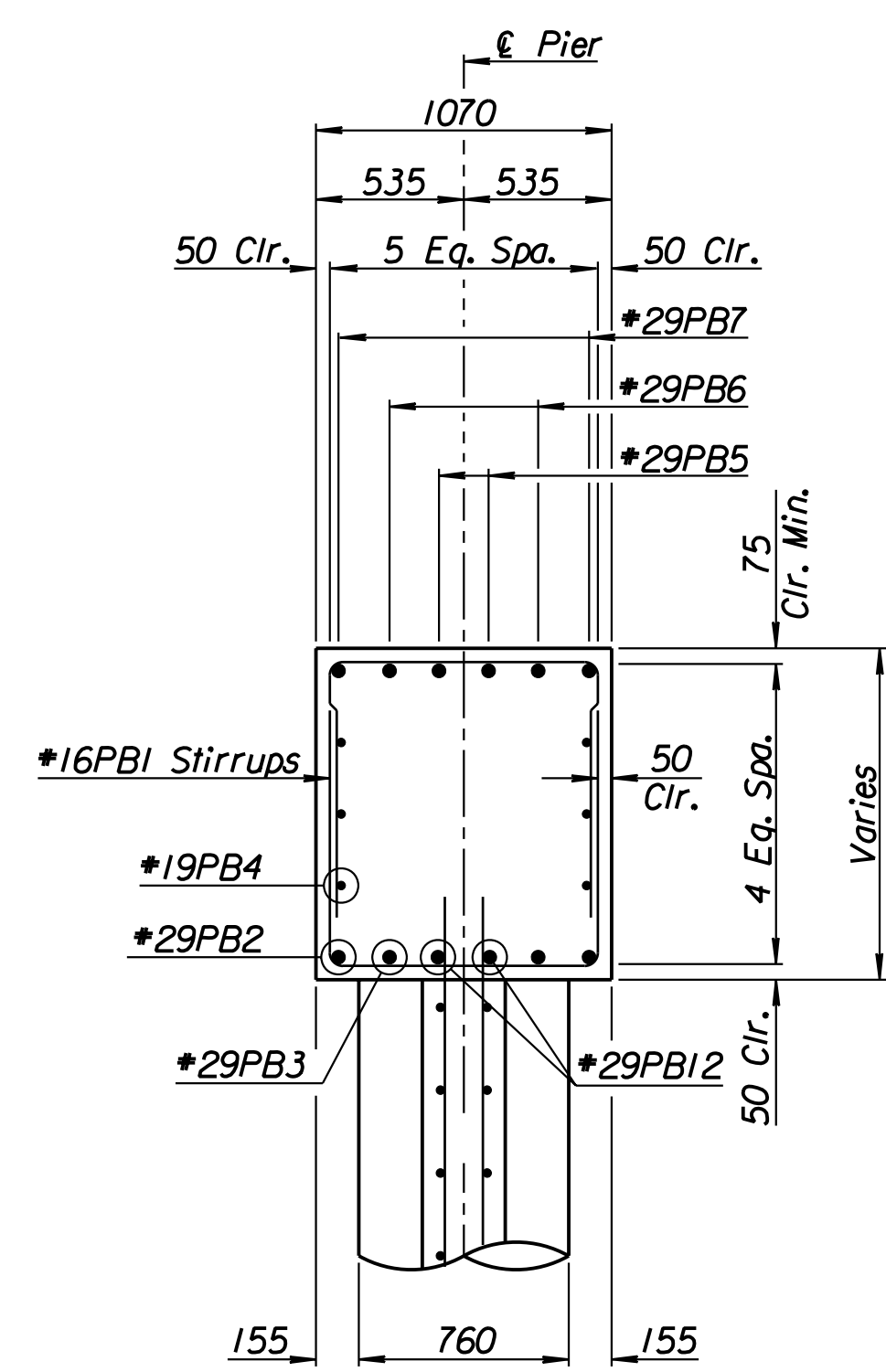
STATE	PROJECT NO.	YEAR	SHEET NO.	TOTAL SHEETS
KANSAS	54-87 K-6657-01	2002	486	1122



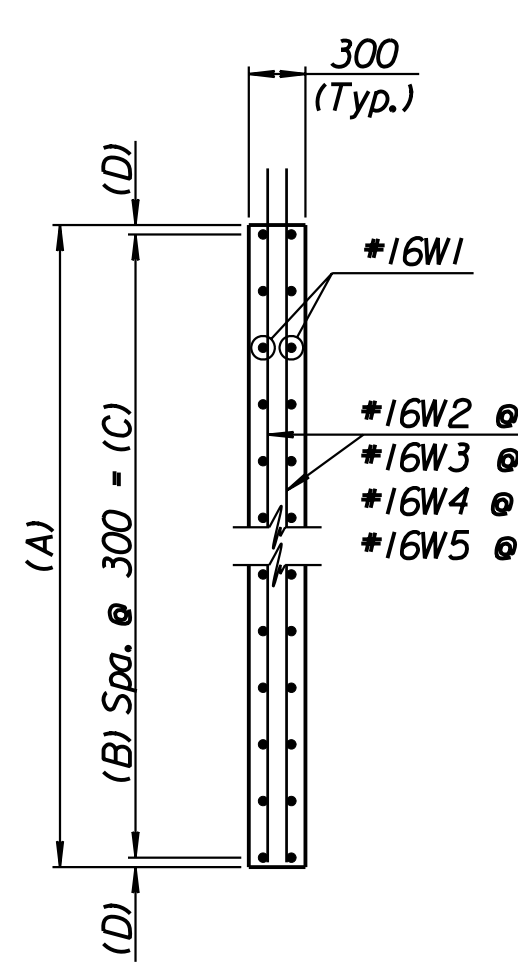
Reinforcing in Top of Beam
Reinforcing in Bottom of Beam
PLAN



ELEVATION

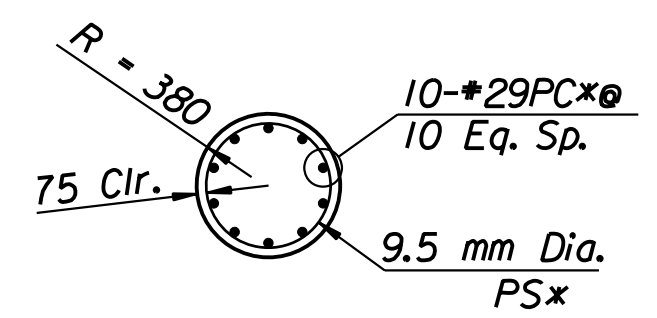


SECTION A-A
See Framing Plan and Diaphragm Sheet for PBI4 Spacing.

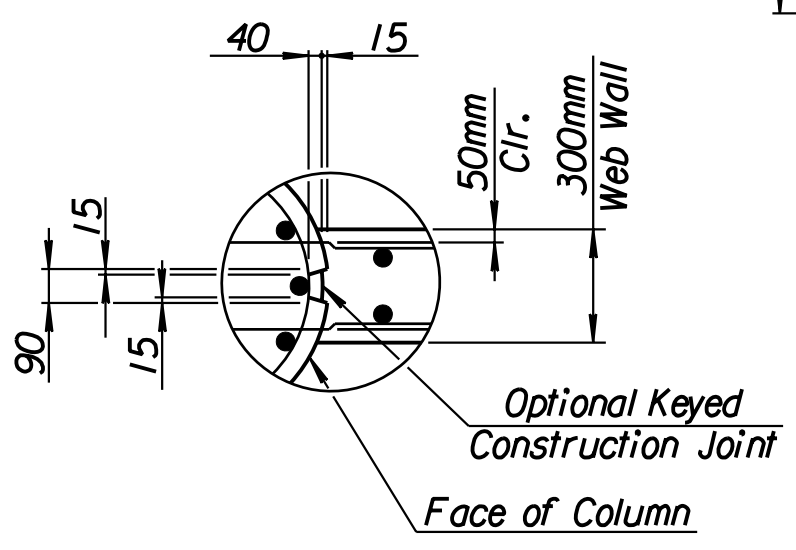


SECTION C-C

Location	A	B	C	D
Pier #1	2600	8	2400	100
Pier #2	3400	11	3300	50
Pier #3	3000	9	2700	150
Pier #4	2200	7	2100	50

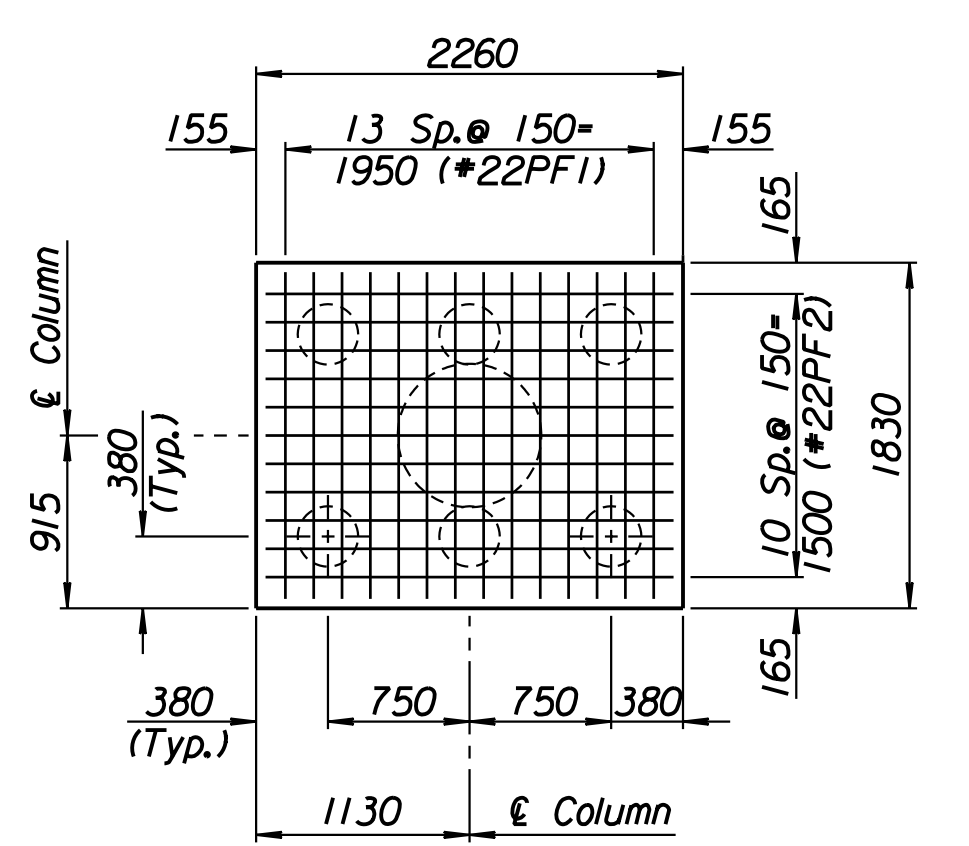


SECTION B-B
(Web Wall not Shown - See Elevation)

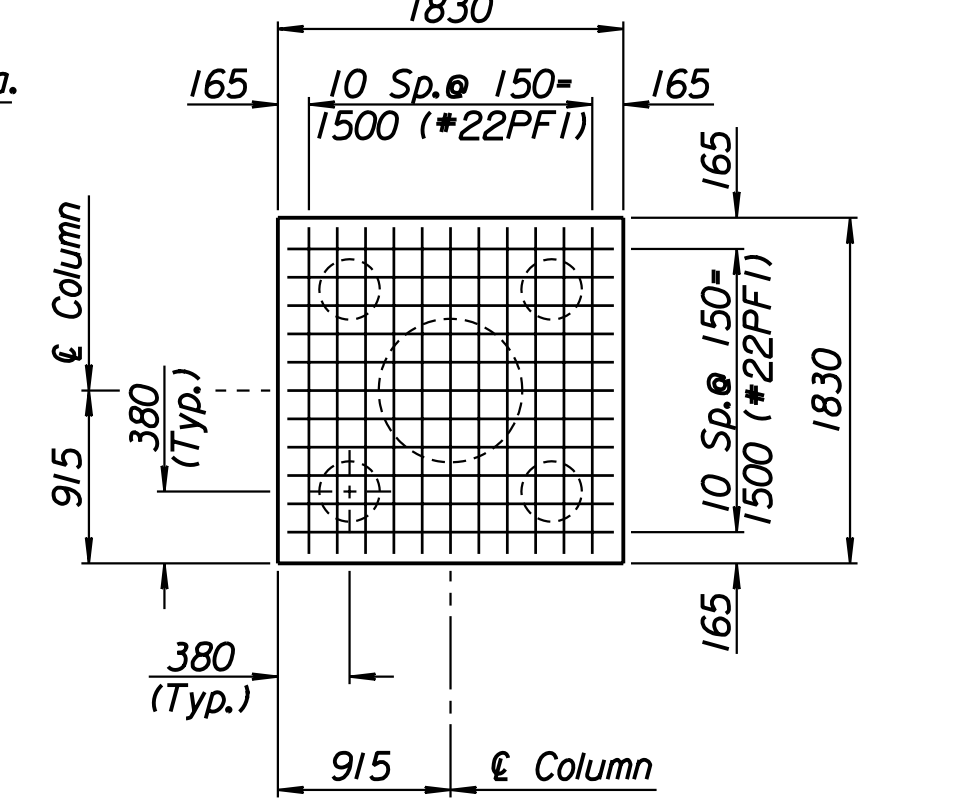


DETAIL A

Note: Either cast the columns and pier web monolithically or cast the columns separately using keyed joint as shown in Detail A. If the columns are cast separately, use threaded deformed bars in lieu of W6 & W7 dowel bars. Bar diameter and embedment length into the web wall shall be as designated. The inserts shall develop the full yield strength of the bars. No change in compensation is allowed with the use of inserts. Coil inserts are not allowed.



Longitudinal Direction of Bridge
FOOTING PLAN (Interior)



FOOTING PLAN (Exterior)

Location	PS*	PC*
Pier #1	PS1	PC1
Pier #2	PS2	PC2
Pier #3	PS3	PC3
Pier #4	PS4	PC4

	Computed	Allowable
Group I Loading	431	440
Group III Loading	528	550
Group IV Loading	550	550
Group V Loading	548	616

Location	Elev. A	Elev. B	Elev. C	Elev. D	Elev. E	Elev. F	Elev. G	Elev. H	Elev. J	Elev. K
Pier #1	401.130	401.172	401.214	401.256	401.298	401.340	400.040	395.540	394.470	397.440
Pier #2	401.128	401.170	401.212	401.254	401.296	401.338	400.038	394.738	393.668	396.638
Pier #3	400.962	401.004	401.046	401.088	401.130	401.172	399.872	394.972	393.902	396.872
Pier #4	400.777	400.819	400.861	400.903	400.945	400.987	399.687	395.587	394.517	397.487

RECORD DRAWING

No.	Revisions	By	Date
CITY OF WICHITA BR. NO. 54-87-19.32(495) F.W.B. STA. 16+016.230			
PIER DETAILS WEST BOUND FRONTAGE ROAD OVER COWSKIN CREEK SEDGWICK COUNTY			
Professional Engineering Consultants, P.A. 303 S. TOPEKA • WICHITA, KANSAS 67202 316-262-2691 • FAX 316-262-3003			
Designed by	RWA	Checked by	RAS
Drawn by	DRP	Date	April 11, 2002
		Job No.	97362

DSNR: RWA OPER: DRP SCALE: 1:100
 i:/1997/97362/As-Built/dgn's/Vol_3/Sh 486-pierdetailwbrt.dgn Last Rev: 9-4-07 By: gdr