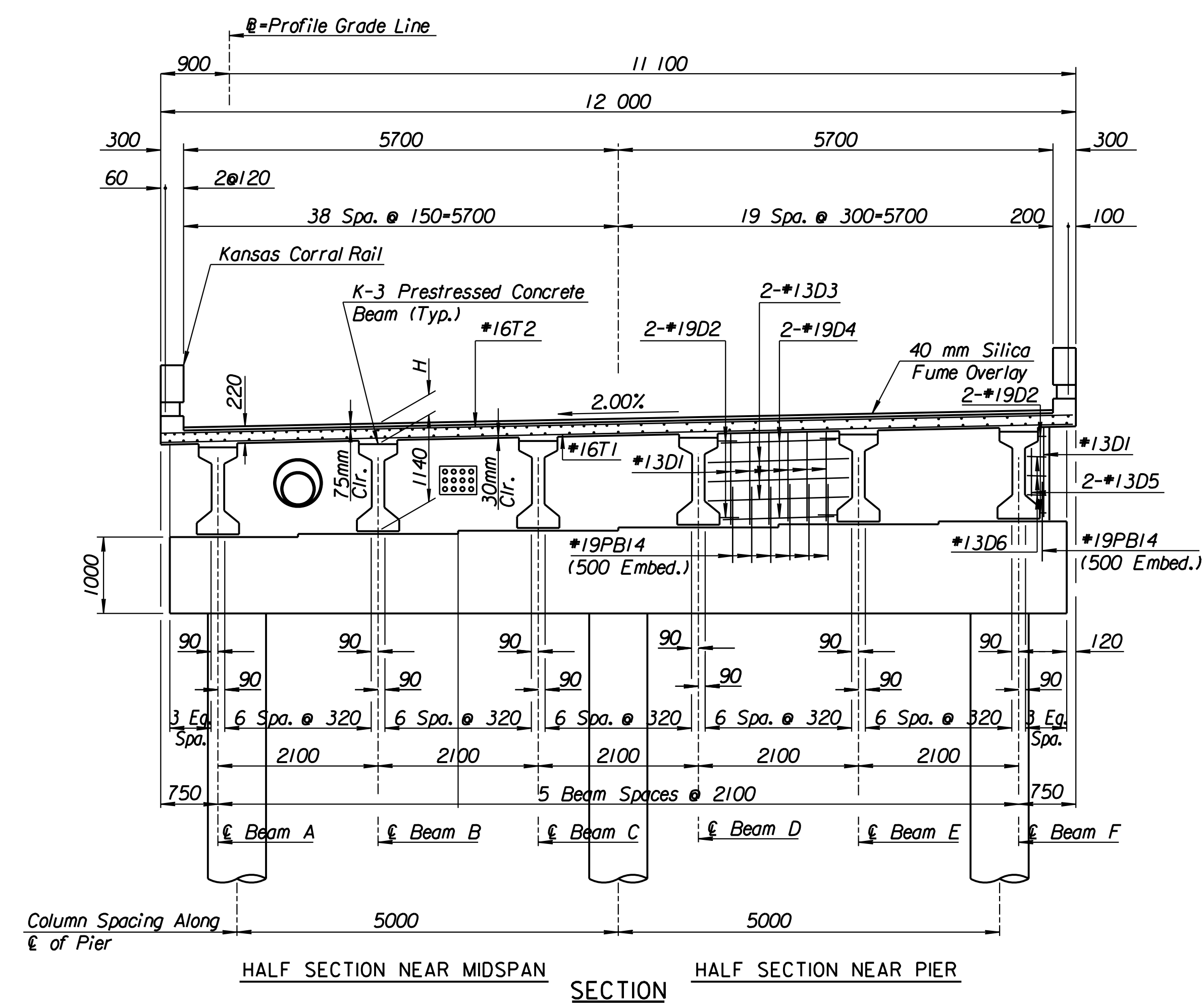
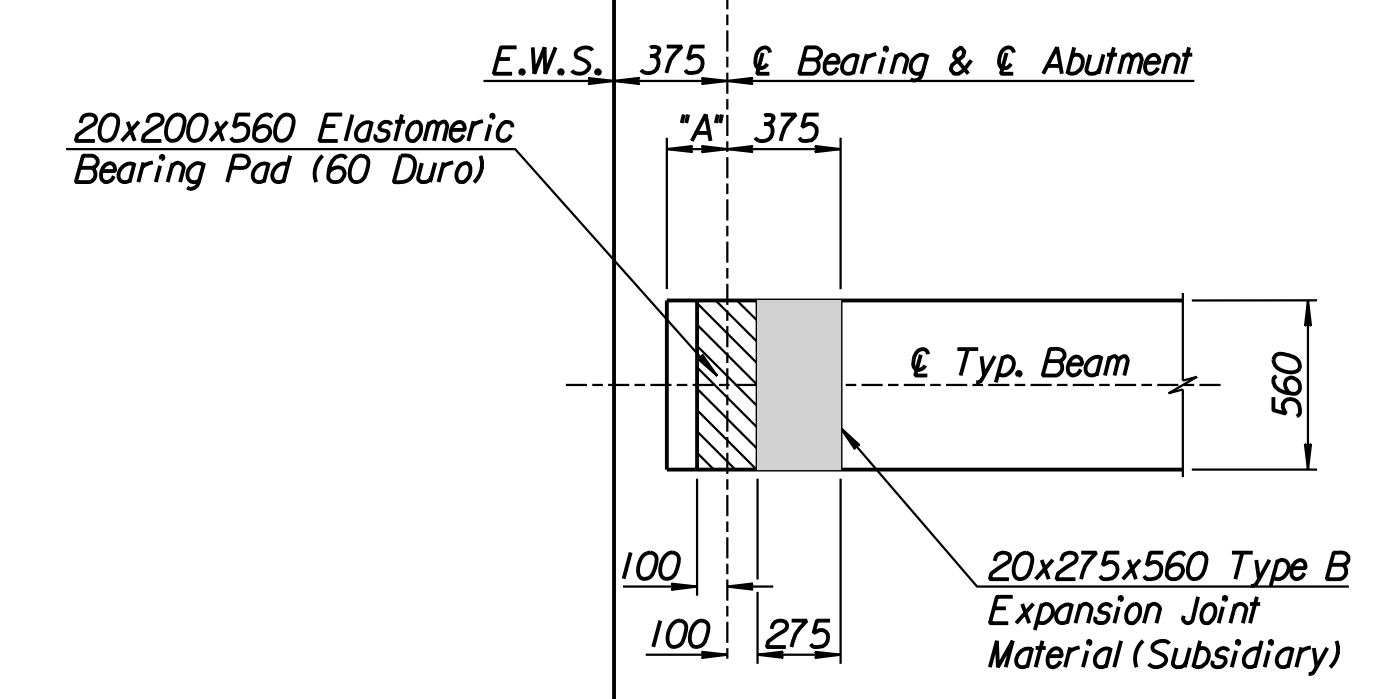
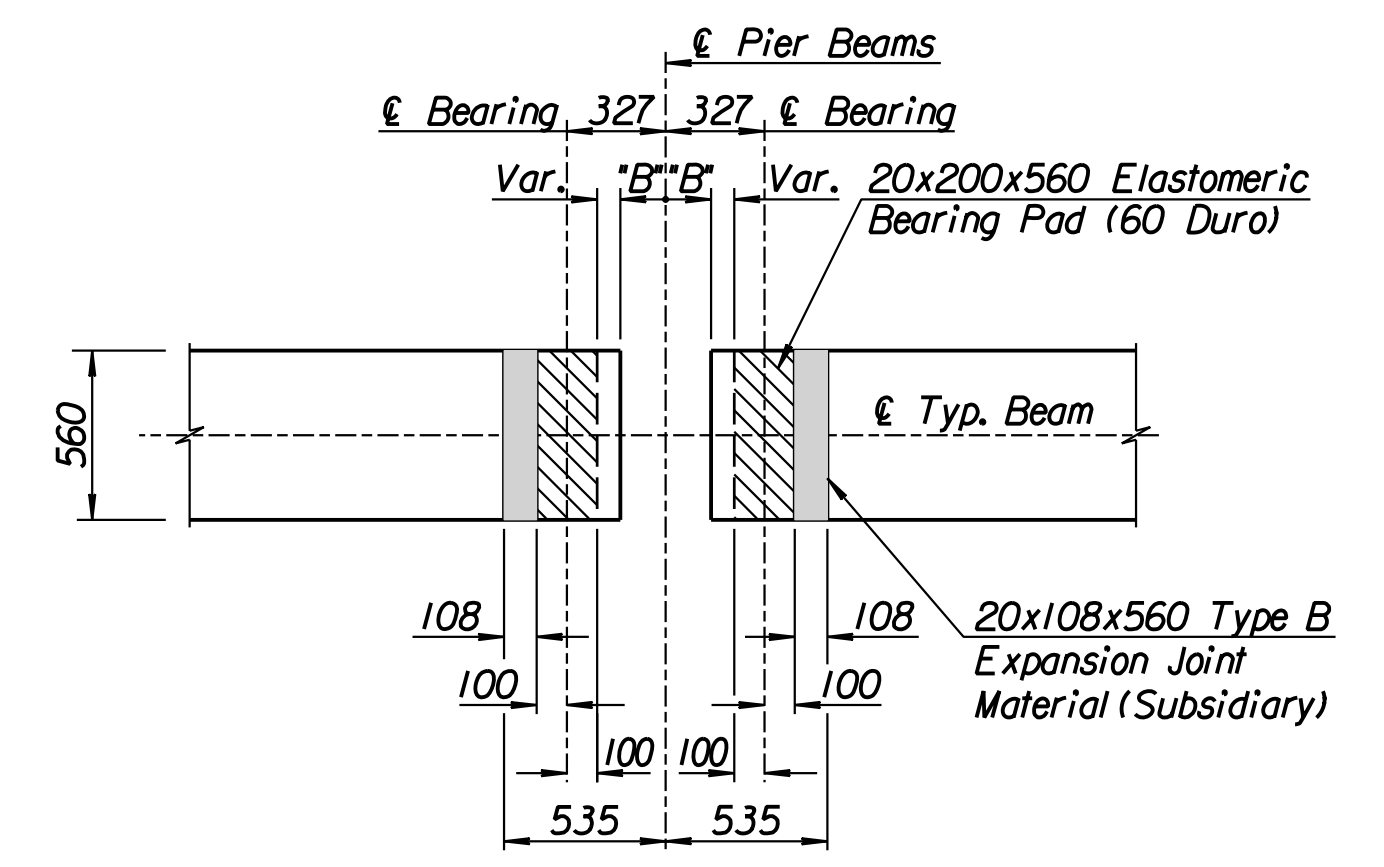
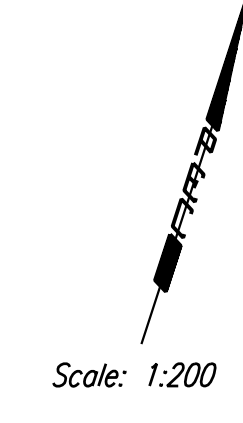
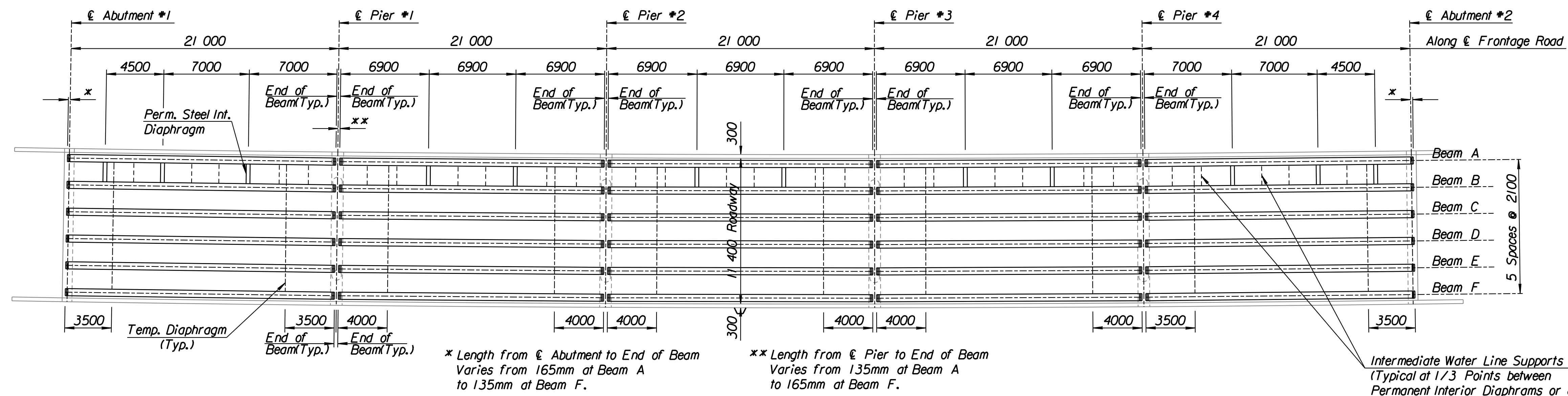


STATE	PROJECT NO.	YEAR	SHEET NO.	TOTAL SHEETS
KANSAS	54-87 K-6657-01	2002	487	1122



H = 280 mm ϕ Abutments and Piers

WESTBOUND FRONTAGE ROAD BRIDGE						
BEAM END SPACING (ϵ BEARING TO END OF BEAM) DIMENSIONS						
Beam	Abut. 1 ("A")	Abut. 2 ("A")	Pier 1 ("B")	Pier 2 ("B")	Pier 3 ("B")	Pier 4 ("B")
A	165	165	135	135	135	135
B	159	159	141	141	141	141
C	153	153	147	147	147	147
D	147	147	153	153	153	153
E	141	141	159	159	159	159
F	135	135	165	165	165	165

RECORD DRAWING

No.		Revisions		By		Date	
CITY OF WICHITA BR. NO. 54-87-19.32(495) F.W.B. STA. 16+016.230 FRAMING PLAN WEST BOUND FRONTAGE ROAD OVER COWSKIN CREEK SEDGWICK COUNTY							
Professional Engineering Consultants, P.A. 303 S. TOPEKA • WICHITA, KANSAS 67202 316-262-2691 • FAX 316-262-3003							
Designed by	RWA	Checked by	RAS				
Drawn by	DRP	Date	April, 2002	Job No.	97362		

DSNR: RAS OPER: DRP SCALE: 1:50
 i:/1997/97362/As-Built/dgn's/Vol_3/Sh_487-frampfr.dgn Last Rev: 9-4-07 By: gdr