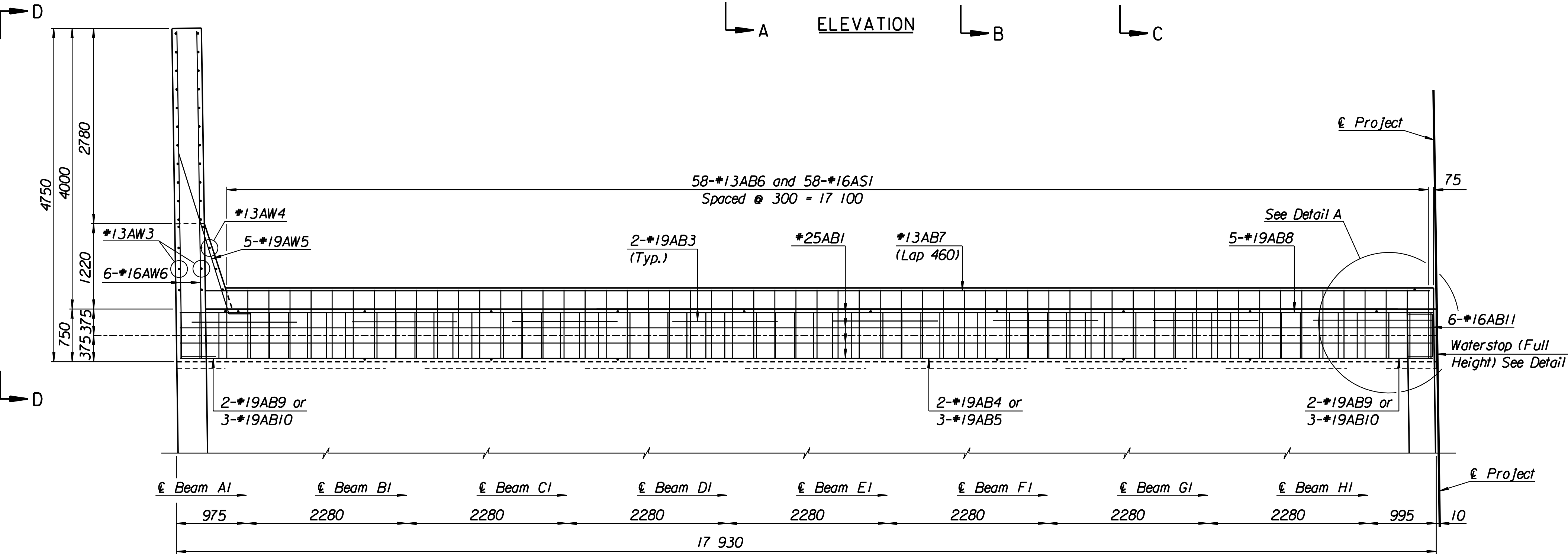
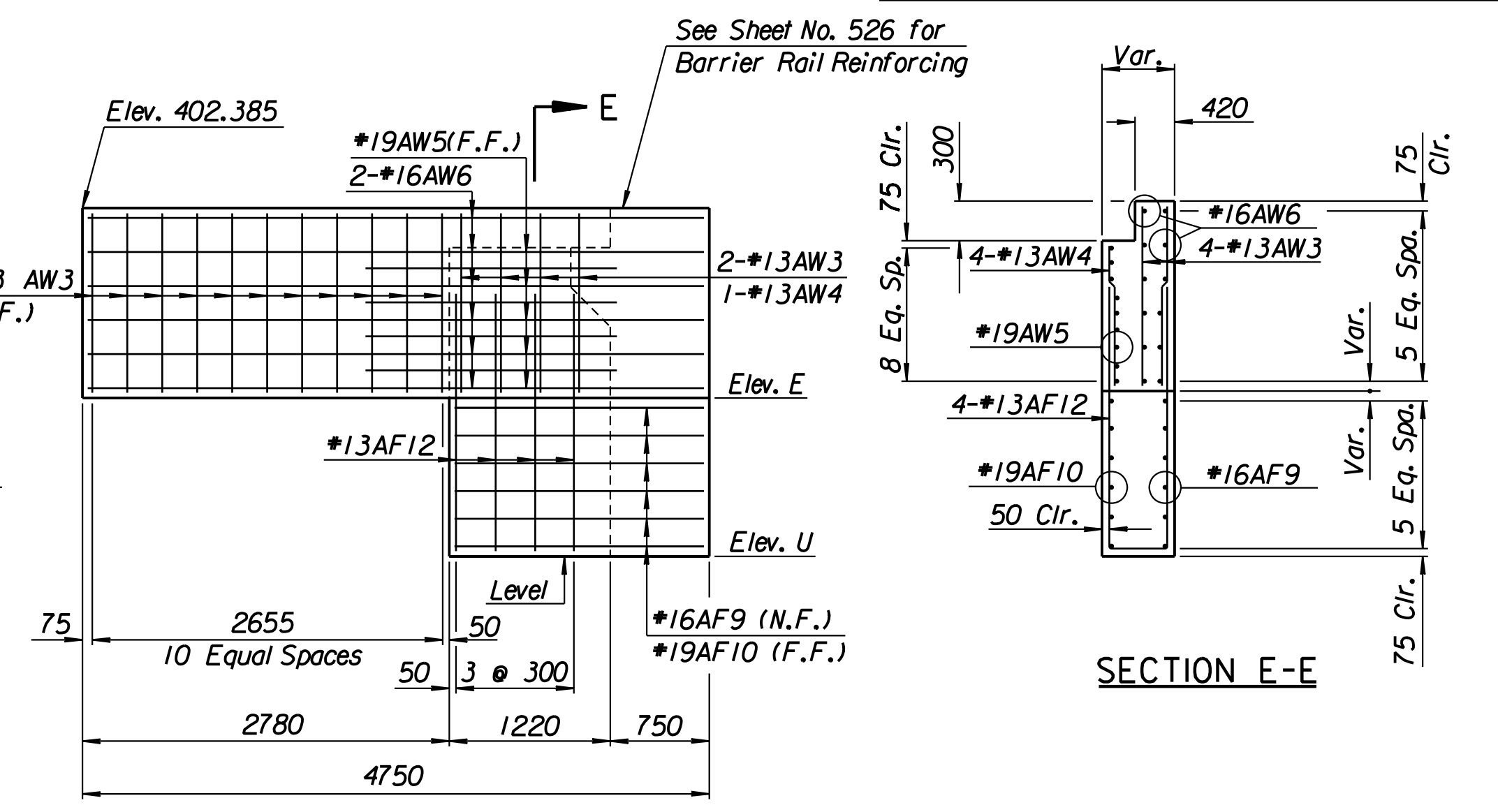
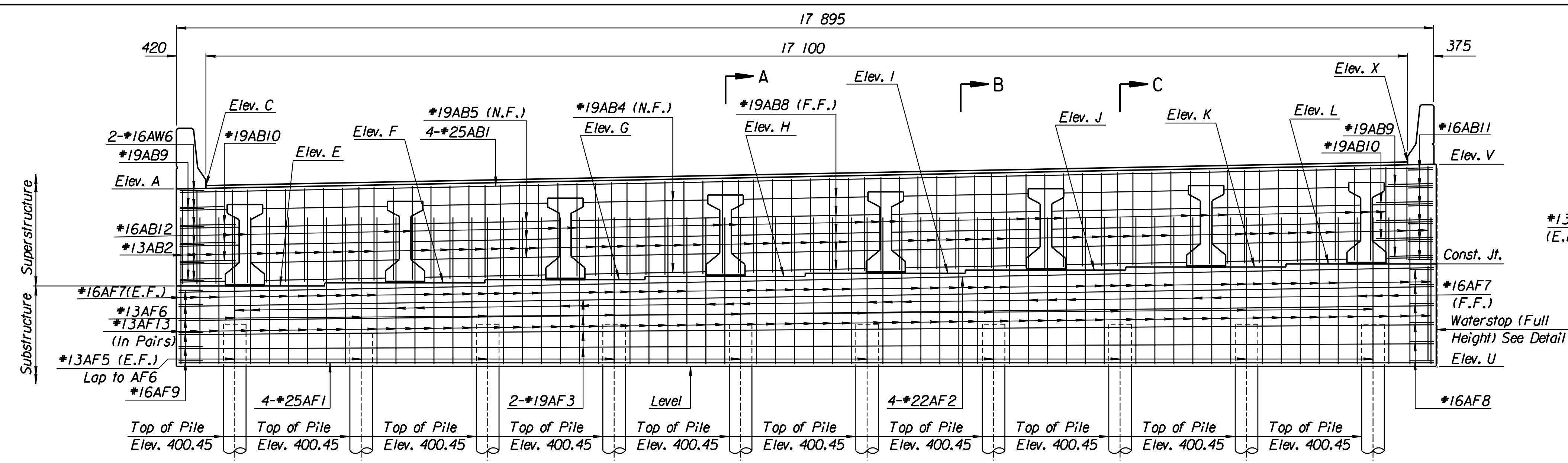
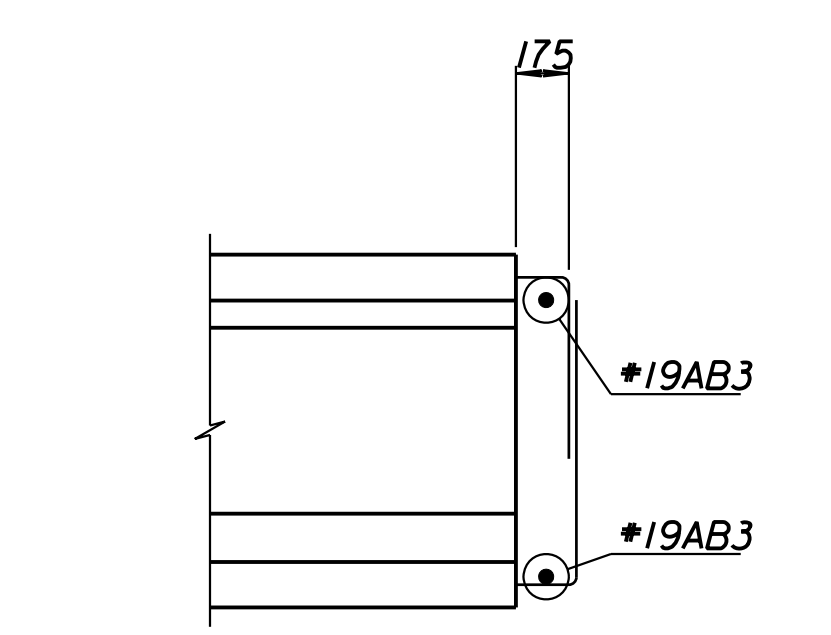
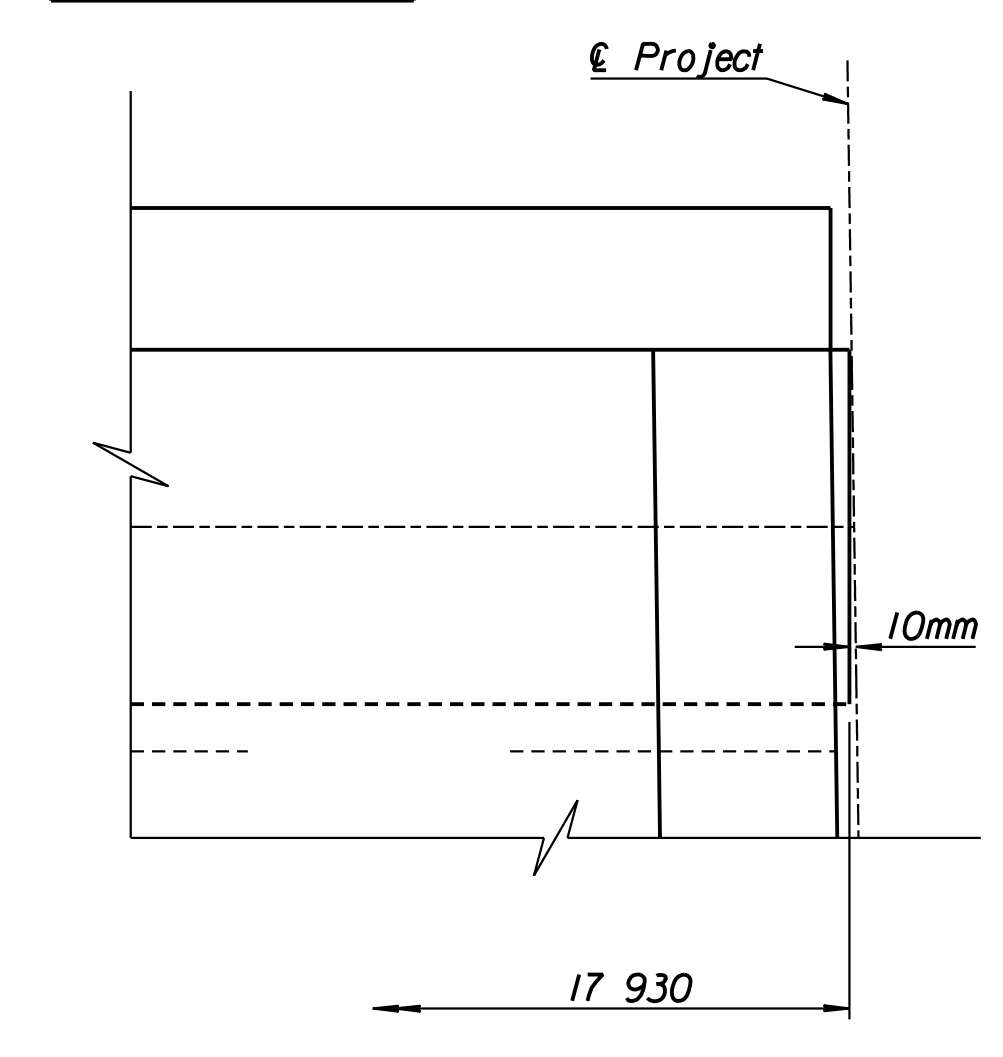
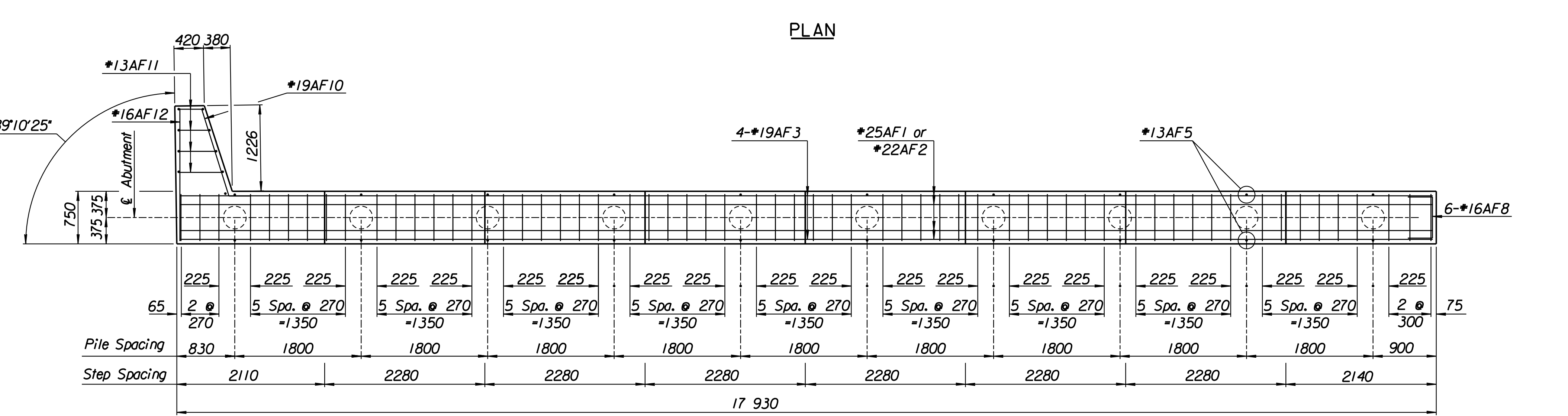
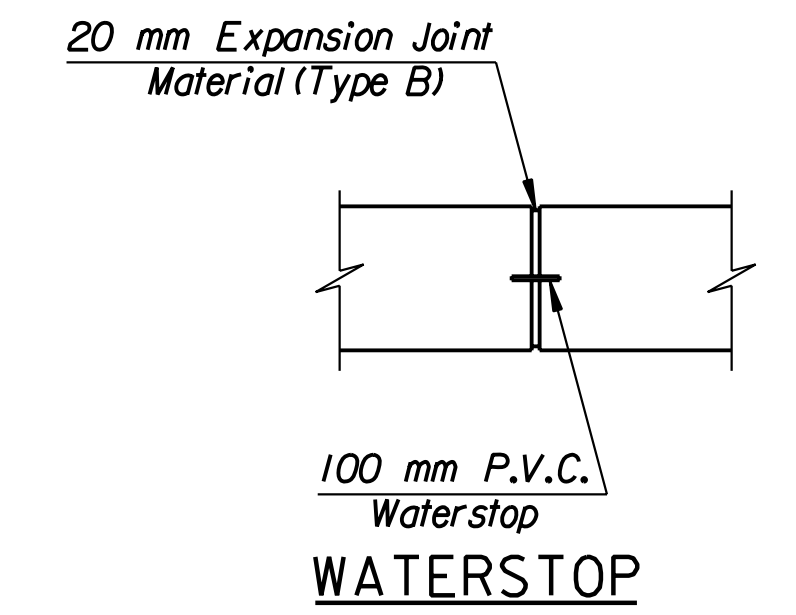


STATE	PROJECT NO.	YEAR	SHEET NO.	TOTAL SHEETS
KANSAS	54-87 K-6657-01	2002	507	1122



LEGEND
 N.F. = Near Face
 F.F. = Far Face
 E.F. = Each Face

Location	Elevation
Elev. A	402.375
Elev. C	402.424
Elev. E	400.995
Elev. F	401.041
Elev. G	401.087
Elev. H	401.133
Elev. I	401.179
Elev. J	401.224
Elev. K	401.270
Elev. L	401.316
Elev. U	399.850
Elev. V	402.721
Elev. X	402.768



K3 BEAM END ELEVATION

RECORD DRAWING

Abutment Pile Loadings (kN)
 Group 1 Loading Actual Allowable
 403 440

No.	Revisions	By	Date
CITY OF WICHITA			
BR. NO. 54-87-19.3(494) W.B.		STA. 16+011.650	
WEST KELLOGG WESTBOUND MAINLINE OVER COWSKIN CREEK			
ABUTMENT NO. 2 DETAILS			
SEDGWICK COUNTY			
Professional Engineering Consultants, P.A. 303 S. TOPEKA • WICHITA, KANSAS 67202 316-262-2691 • FAX 316-262-3005			
Designed by	RAS	Checked by	RAS
Drawn by	DRP	Date	April, 2002
		Job No.	97362

Drawn By: drp Sept. 07
 Plotted By: gdr
 i:/1997/97362/As-Built/dgn's/Vol_3/Sh 507-abmt2wbml.dgn Last Rev: 9-4-07 By: gdr