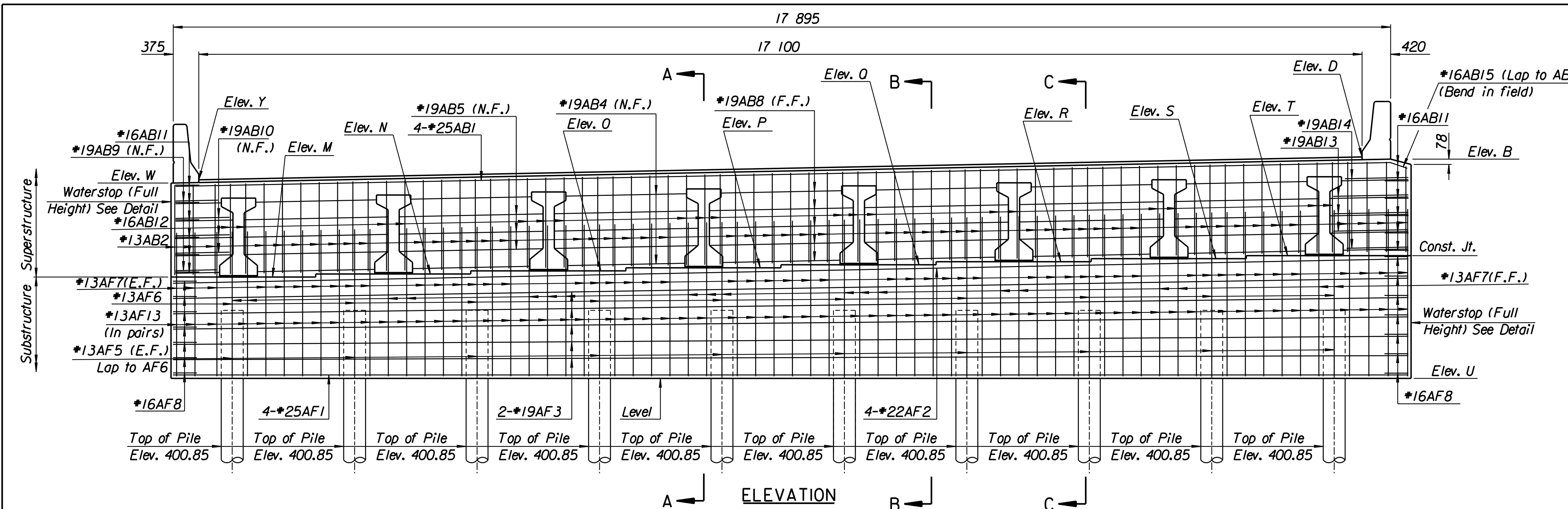
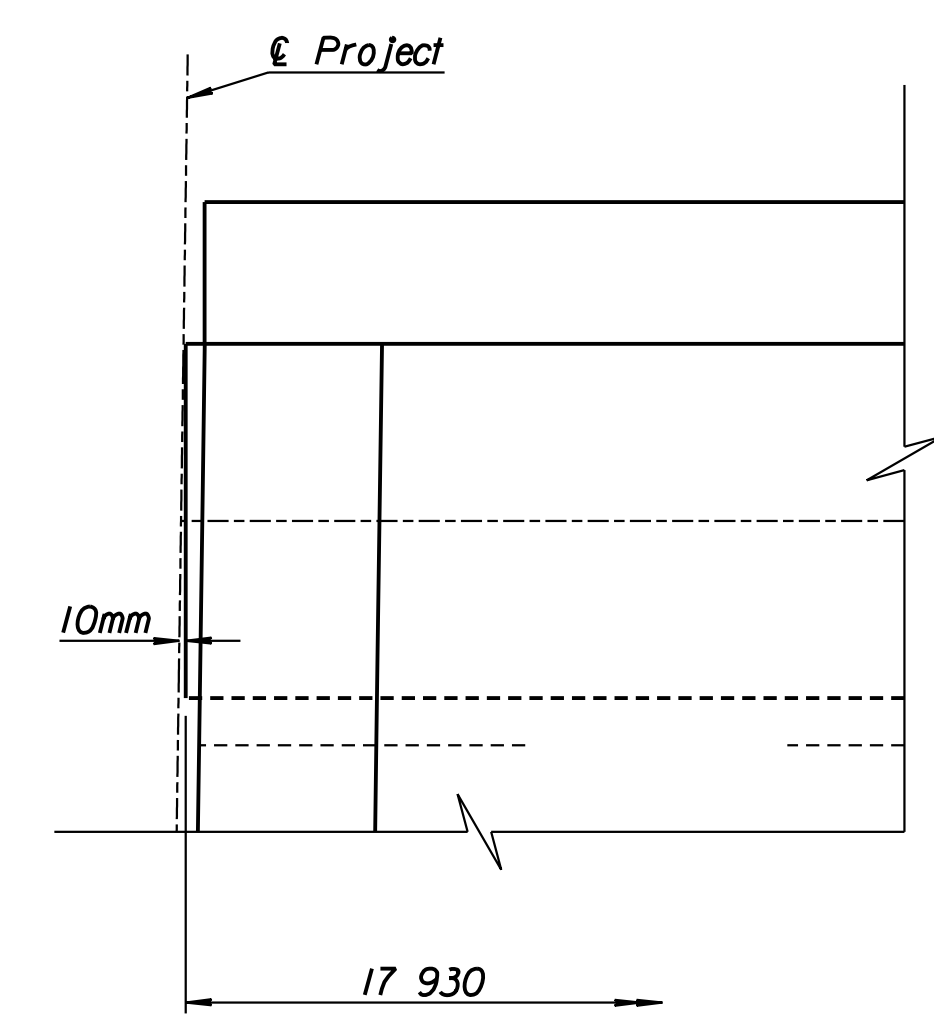
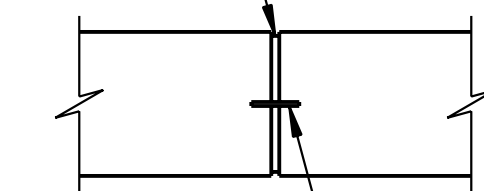


STATE	PROJECT NO.	YEAR	SHEET NO.	TOTAL SHEETS
KANSAS	54-87 K-6657-01	2002	511	1122



ELEVATION

20 mm Expansion Joint Material (Type B)



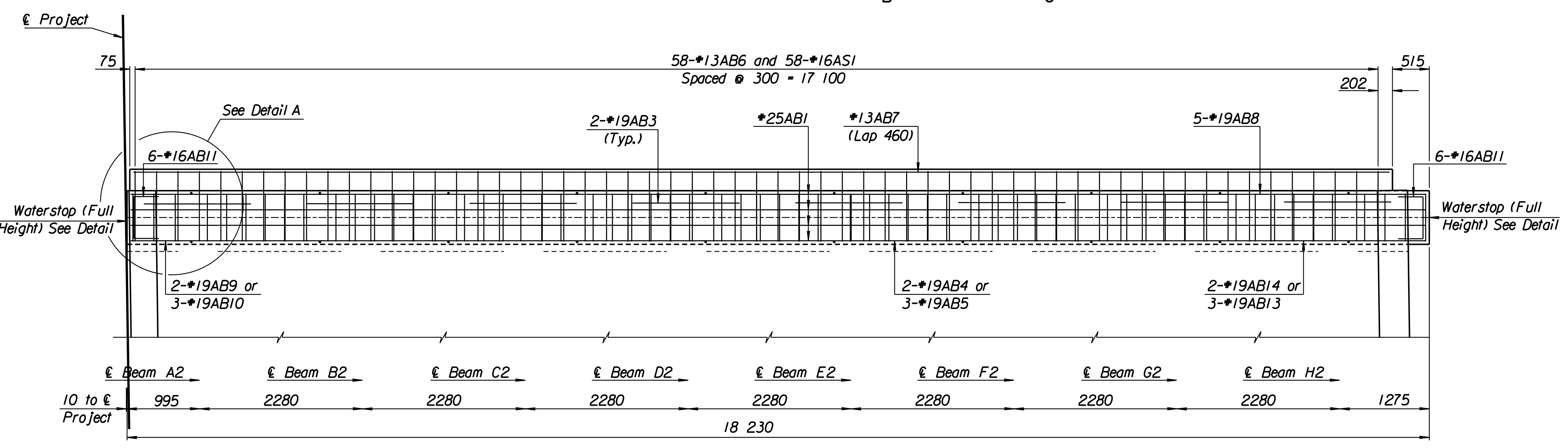
DETAIL A
(No Reinforcing shown for clarity)

100 mm P.V.C. Waterstop
WATERSTOP

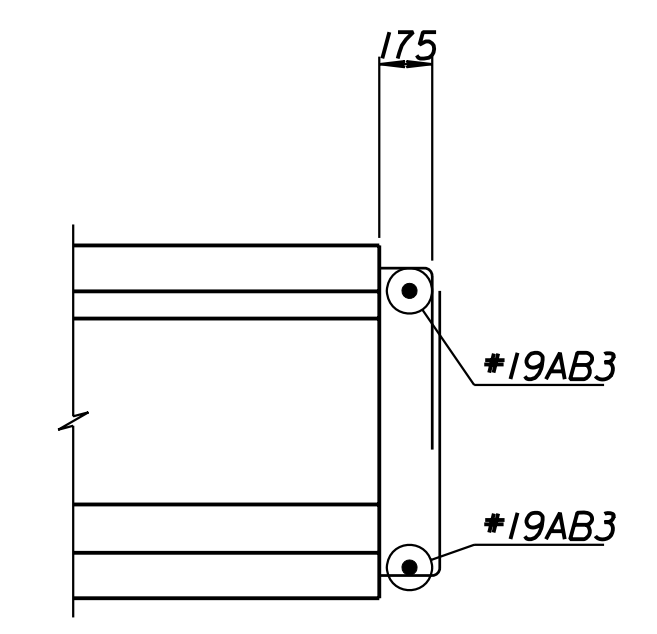
LEGEND:
N.F. = Near Face
F.F. = Far Face
E.F. = Each Face

TABLE OF ELEVATIONS

Location	Elevation
Elev. B	403.086
Elev. D	403.118
Elev. M	401.340
Elev. N	401.386
Elev. O	401.431
Elev. P	401.477
Elev. Q	401.523
Elev. R	401.569
Elev. S	401.615
Elev. T	401.661
Elev. U	399.850
Elev. W	402.721
Elev. Y	402.768

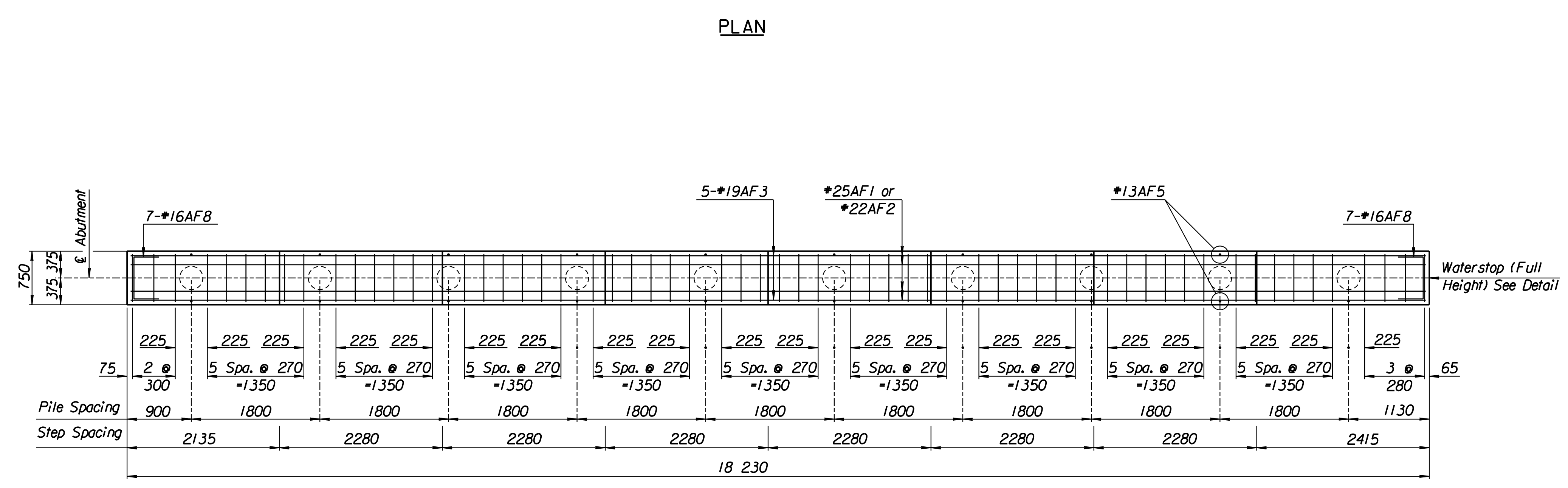


PLAN



K3 BEAM END ELEVATION

Abutment Pile Loadings (kN)		
Group 1 Loading	Actual	Allowable
	406	440



FOOTING PLAN

RECORD DRAWING

No.	Revisions	By	Date
CITY OF WICHITA			
BR. NO. 54-87-19.30(493) E.B.		STA. 16+011.650	
WEST KELLOGG EASTBOUND MAINLINE OVER COWSKIN CREEK			
ABUTMENT NO. 2 DETAILS			
SEDGWICK COUNTY			
Professional Engineering Consultants, P.A.			
303 S. TOPEKA • WICHITA, KANSAS 67202 316-262-2691 • FAX 316-262-3009			
Designed by	R.A.S.	Checked by	R.A.S.
Drawn by	R.A.S.	Date	April, 2002
		Job No.	97362

Drawn By: ros
 Plotted By: gdr
 i:/1997/97362/As-Builts/dgn's/Vol_3/Sh 511-abmt2ebml.dgn
 Last Rev: 9-4-07 By: gdr