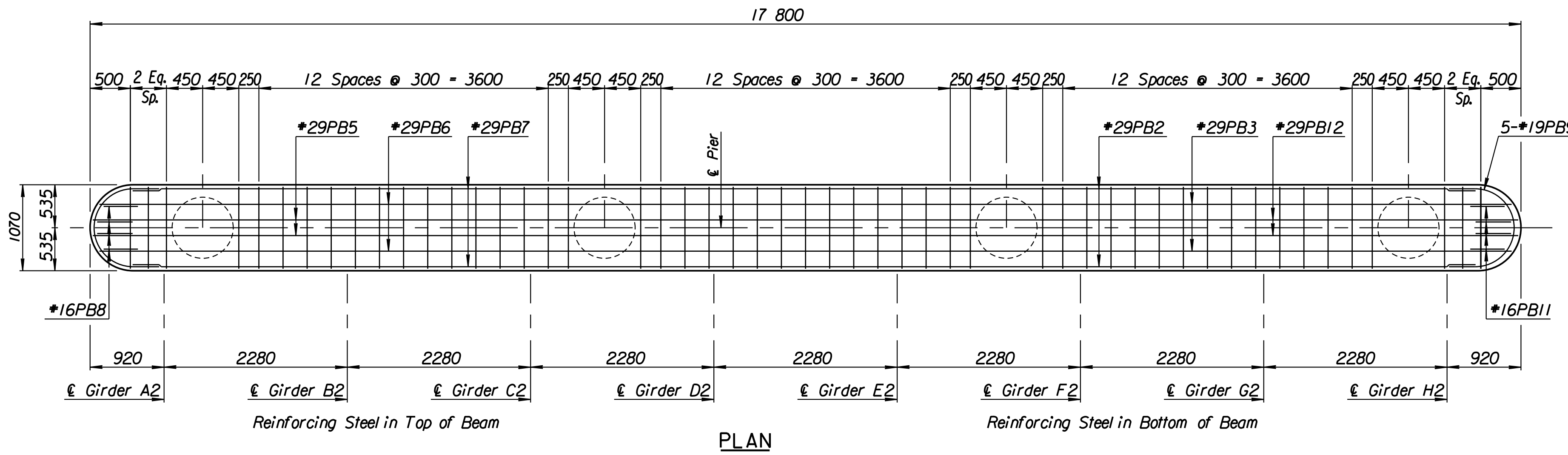
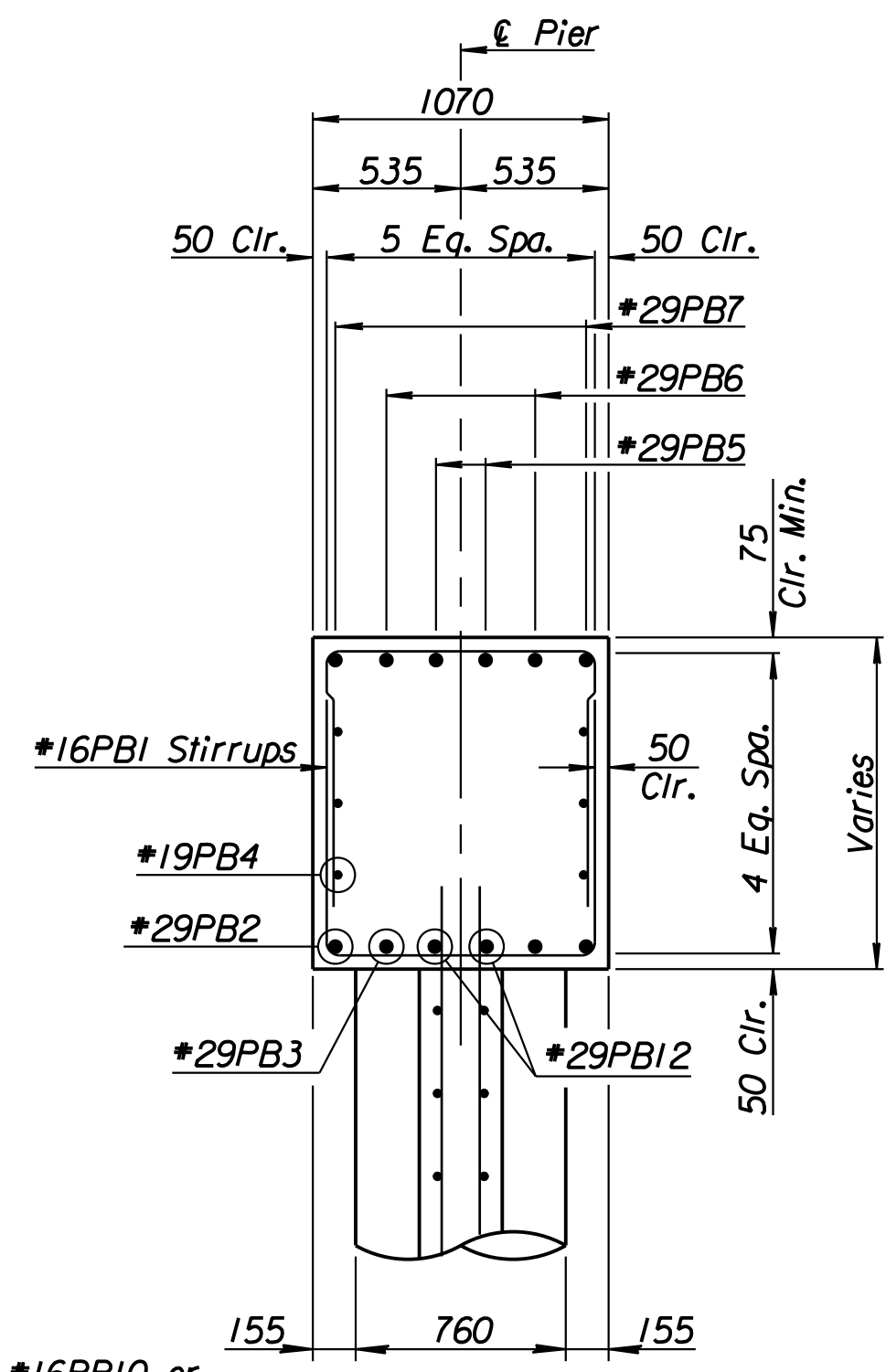


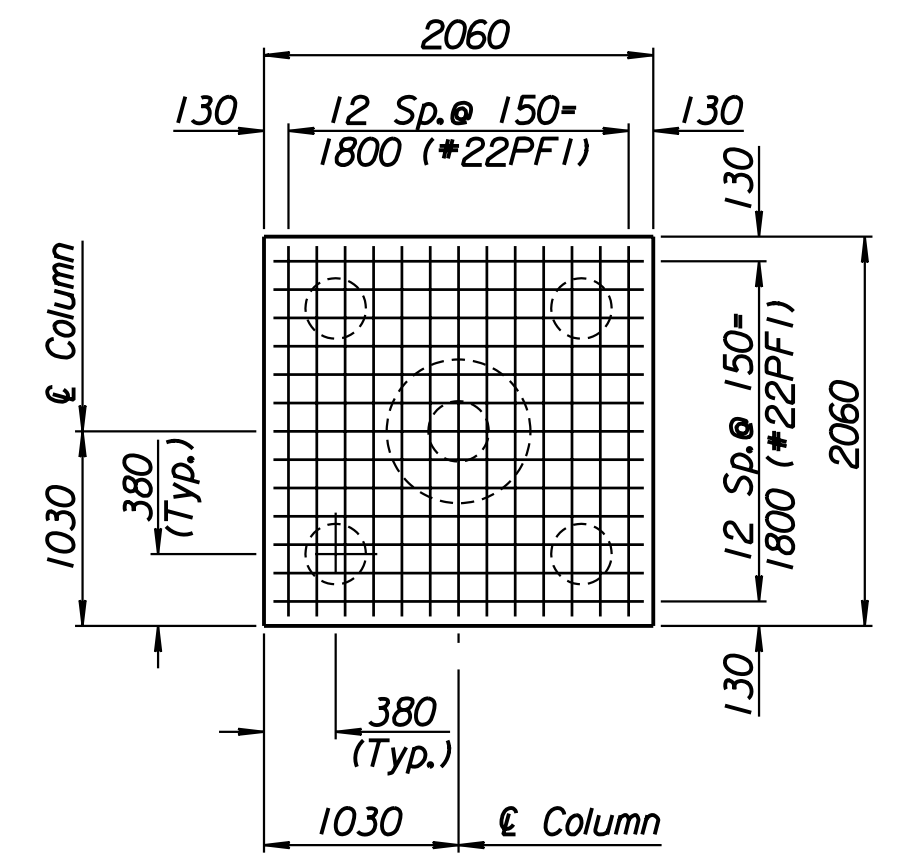
STATE	PROJECT NO.	YEAR	SHEET NO.	TOTAL SHEETS
KANSAS	54-87 K-6657-01	2002	516	1122



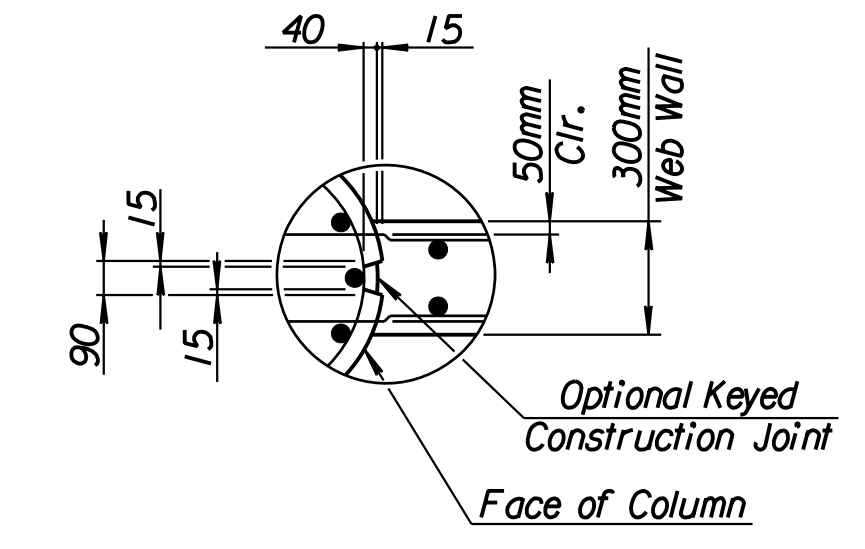
PLAN



SECTION A-A

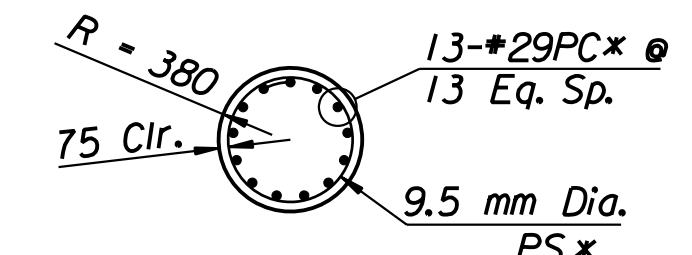


FOOTING PLAN

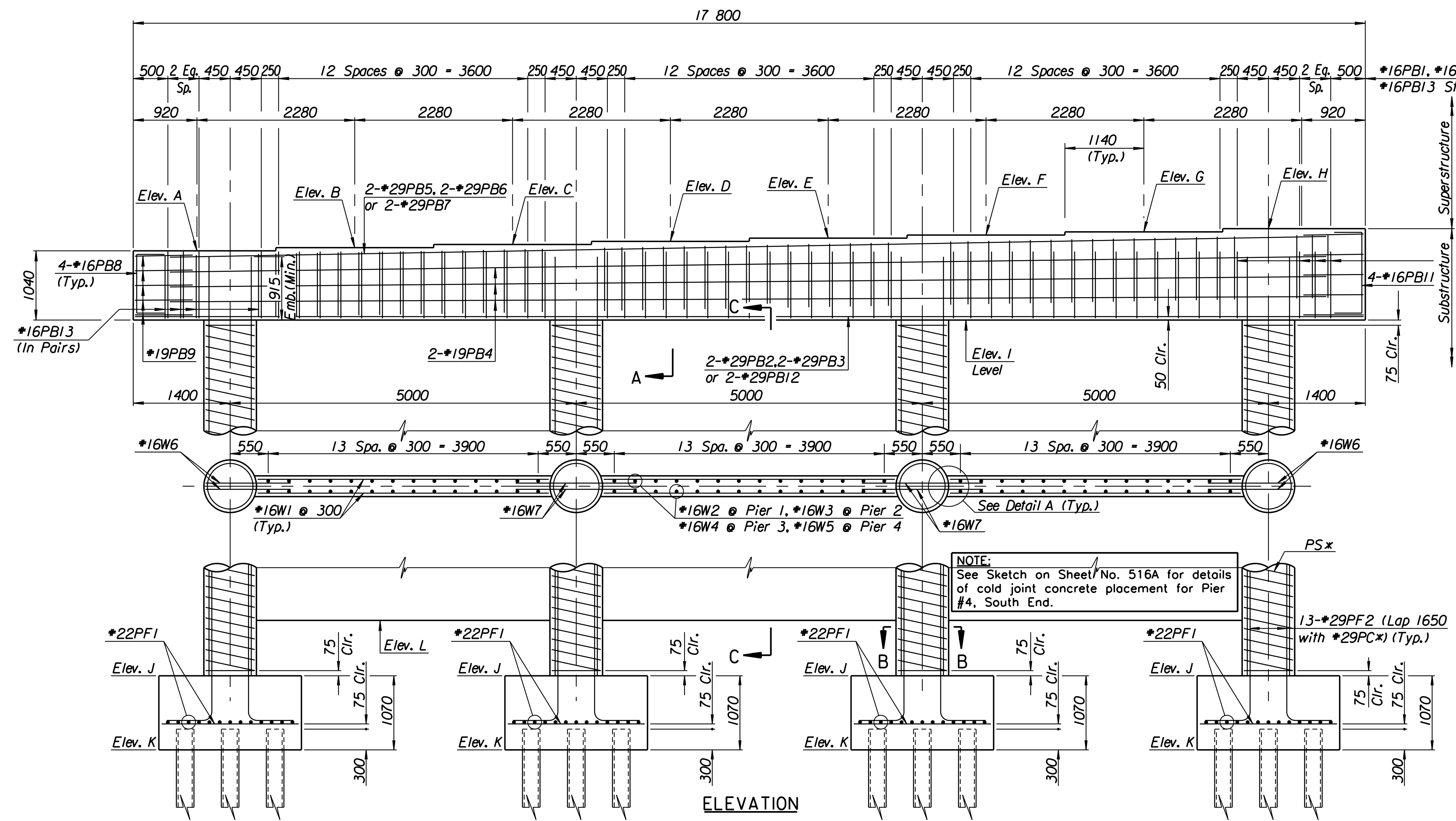


DETAIL A

Note: Either cast the columns and pier web monolithically or cast the columns separately using keyed joint as shown in Detail A. If the columns are cast separately, use threaded deformed bars in lieu of W6 & W7 dowel bars. Bar diameter and embedment length into the web wall shall be as designated. The inserts shall develop the full yield strength of the bars. No change in compensation is allowed with the use of inserts. Coil inserts are not allowed.



SECTION B-B
(Web Wall not shown - See Elevation)

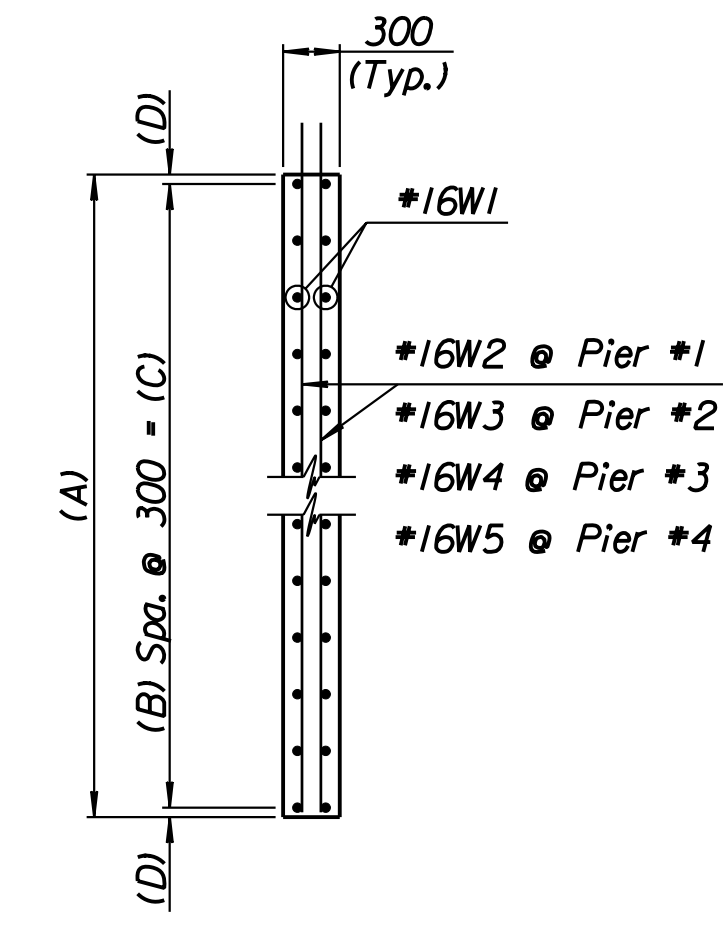


ELEVATION

Location	Elev. A	Elev. B	Elev. C	Elev. D	Elev. E	Elev. F	Elev. G	Elev. H	Elev. I	Elev. J	Elev. K	Elev. L
Pier #1	402.434	402.480	402.525	402.571	402.617	402.662	402.708	402.753	401.394	395.494	394.424	397.394
Pier #2	402.073	402.119	402.164	402.210	402.255	402.301	402.347	402.392	401.033	394.943	393.873	396.833
Pier #3	401.770	401.816	401.862	401.907	401.953	401.998	402.044	402.090	400.730	394.940	393.870	396.930
Pier #4	401.526	401.572	401.617	401.663	401.709	401.754	401.800	401.845	400.486	395.496	394.426	397.486

Location	PS*	PC*
Pier #1	PS1	PC1
Pier #2	PS2	PC2
Pier #3	PS3	PC3
Pier #4	PS4	PC4

Group	Computed	Allowable
Group I Loading	429	440
Group III Loading	550	550
Group IV Loading	549	550
Group V Loading	561	616



SECTION C-C

Location	A	B	C	D
Pier #1	4000	13	3900	50
Pier #2	4200	13	3900	150
Pier #3	3800	12	3600	100
Pier #4	3000	9	2700	150

RECORD DRAWING

Note: See Diaphragm Detail Sheet for Number and Location of *19PB14 bars.

CITY OF WICHITA			
BR. NO. 54-87-19.30(493)(E.B.)		STA. 16+011.650	
PIER DETAILS			
WEST KELLOGG (US-54) OVER COWSKIN CREEK			
SEDGWICK COUNTY			
Professional Engineering Consultants, P.A.			
303 S. TOPEKA • WICHITA, KANSAS 67202 316-262-2691 • FAX 316-262-3003			
Designed by	R.W.A.	Checked by	R.A.S.
Drawn by	D.R.P.	Date	April 11, 2002
		Job No.	97362

DSNR: RWA OPER: DRP SCALE: 40
 i:/1997/97362/As-Built/dgn's/Vol.3/Sh 516-pierdetail.dgn Last Rev: 9-4-07 By: gdr