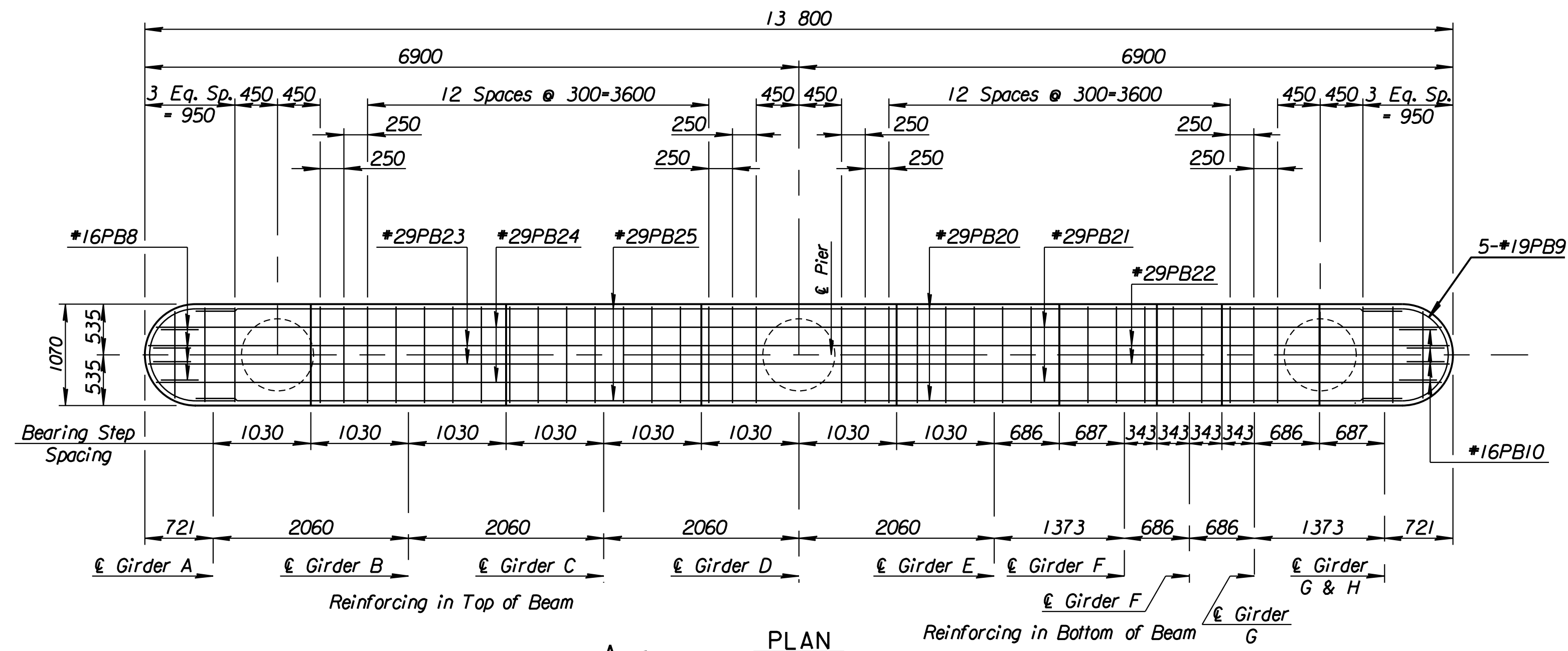
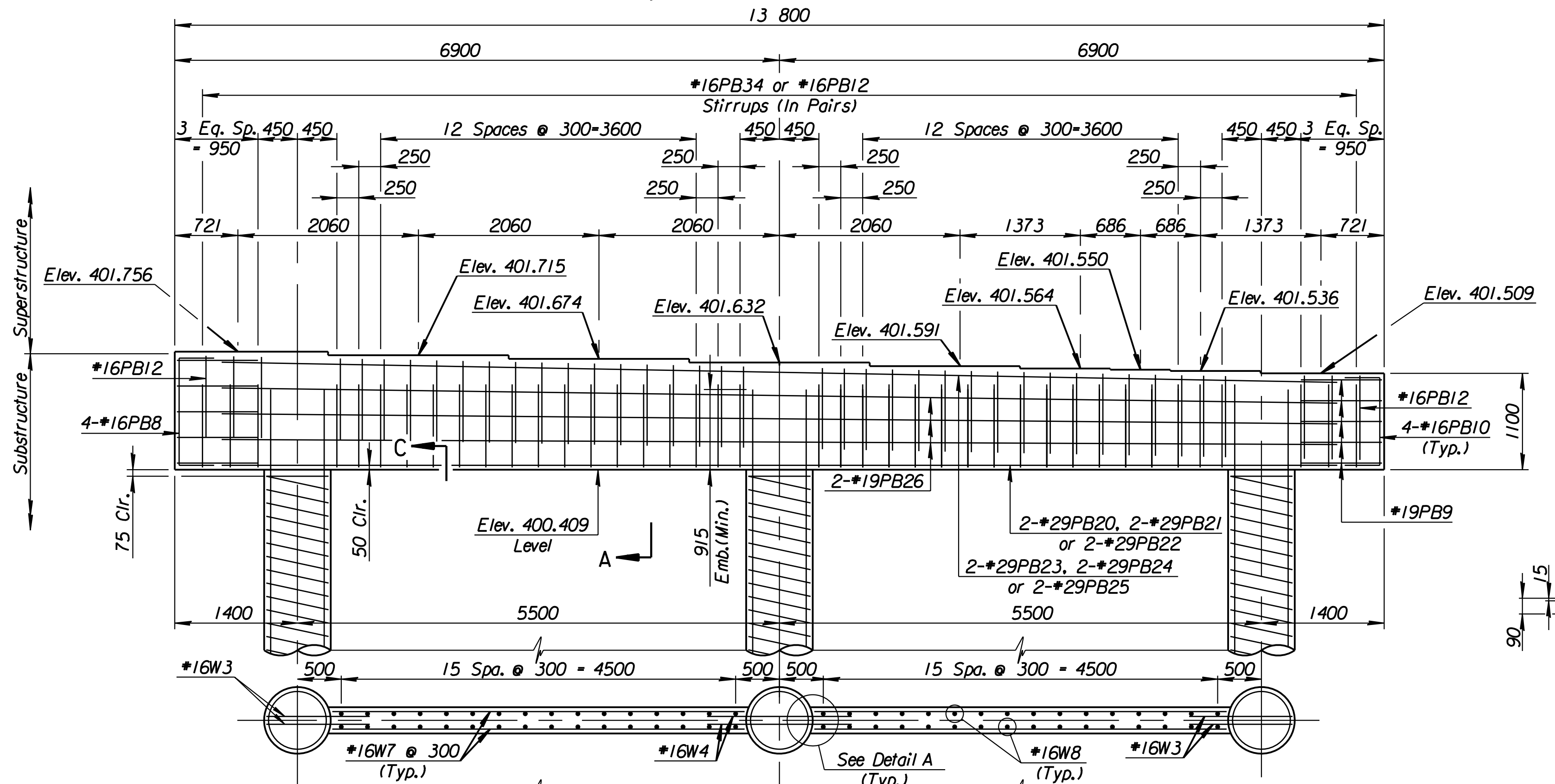


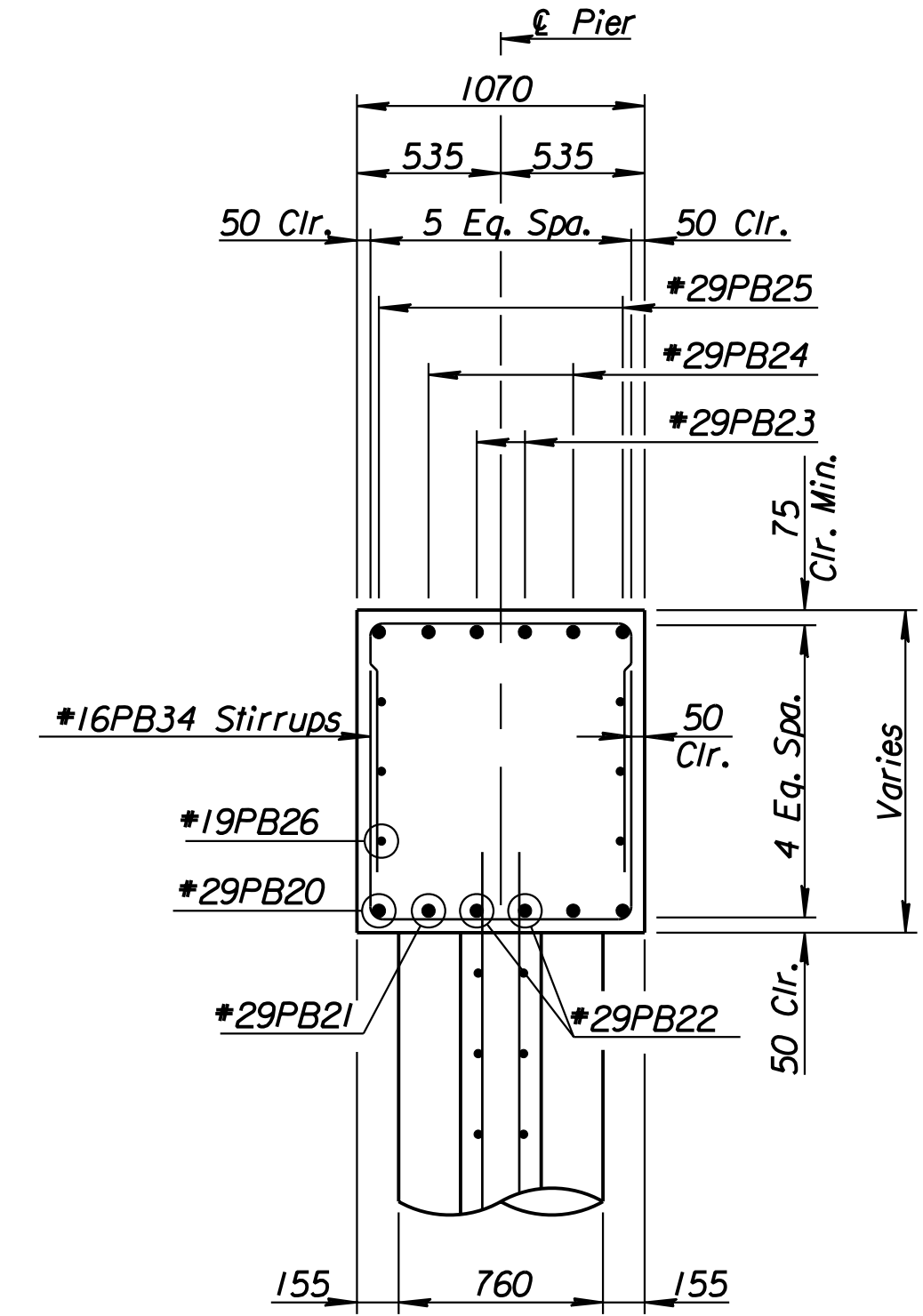
STATE	PROJECT NO.	YEAR	SHEET NO.	TOTAL SHEETS
KANSAS	54-87 K-6657-01	2002	541	1122



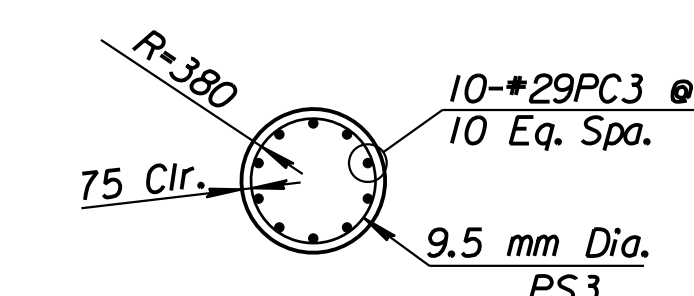
PLAN



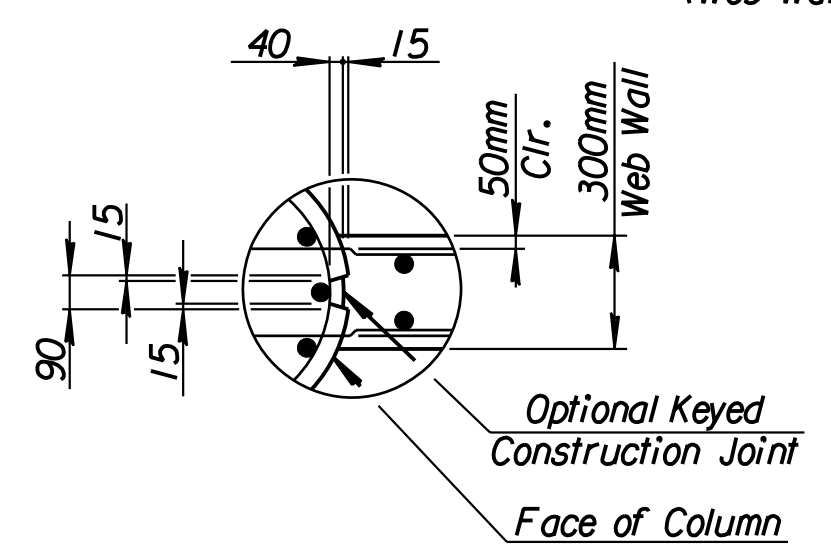
ELEVATION



SECTION A-A

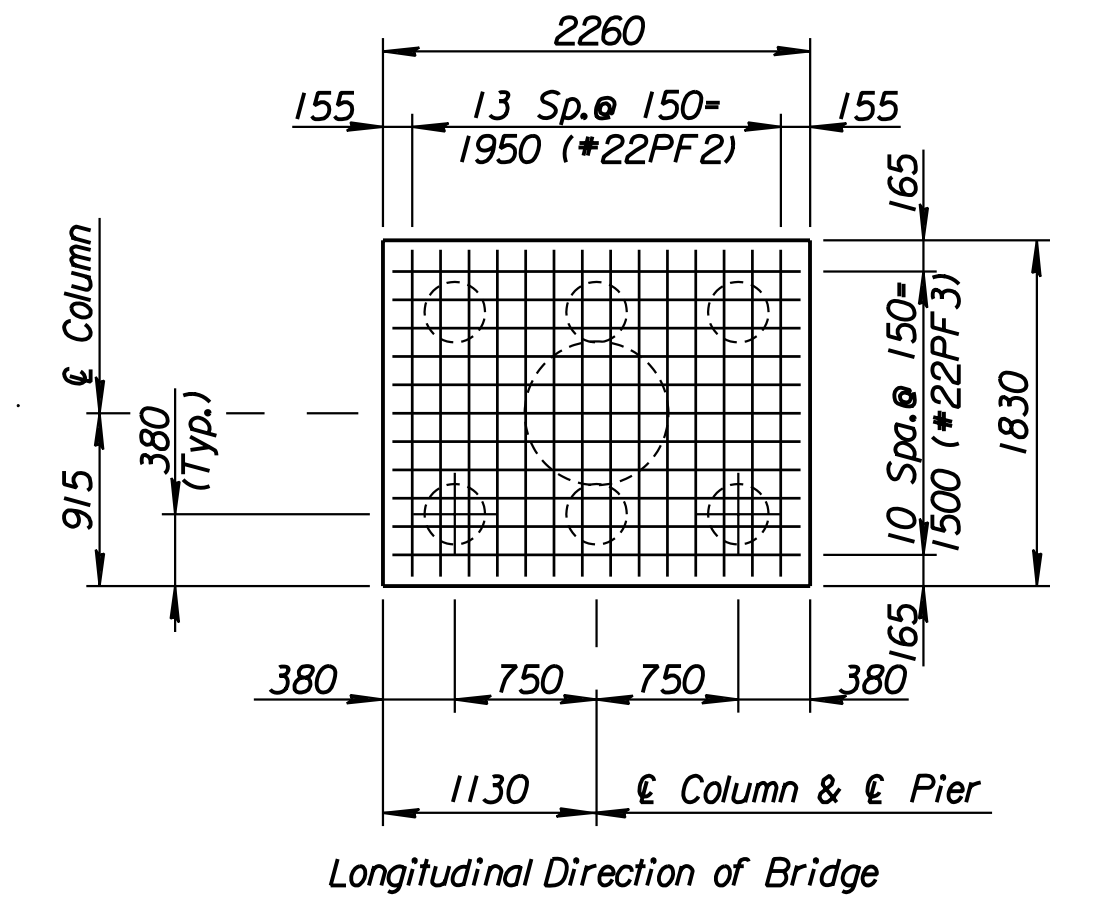


SECTION B-B
(Web Wall not Shown - See Elevation)

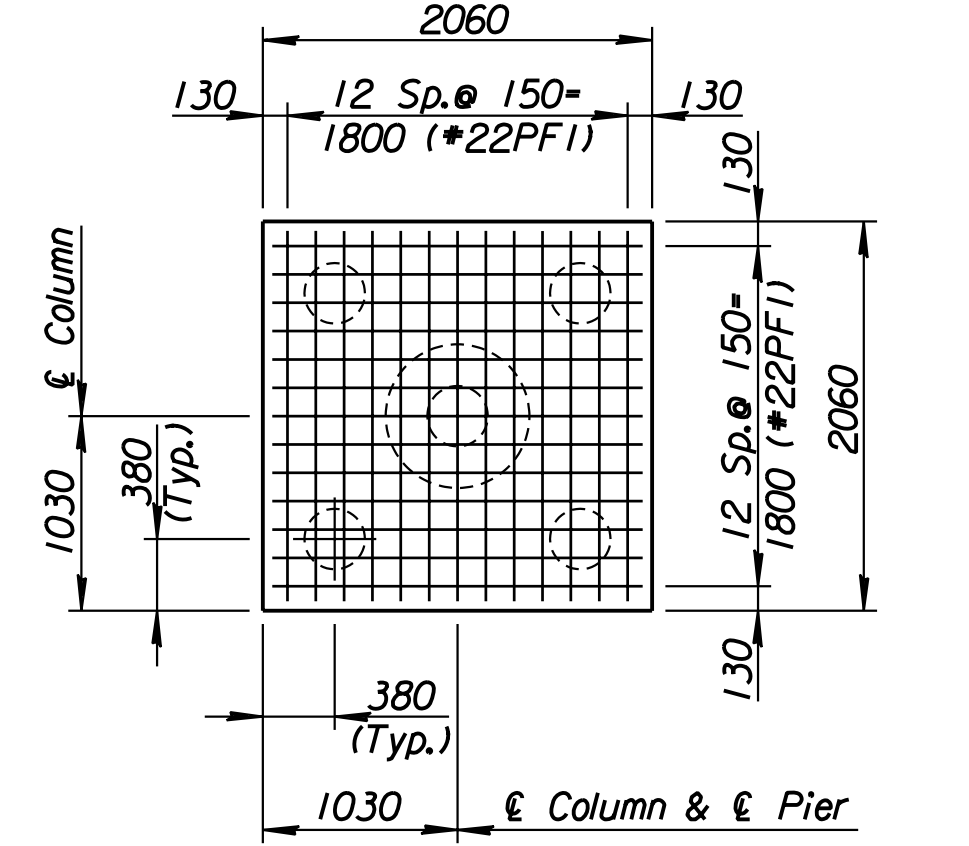


DETAIL A

Note: Either cast the columns and pier web monolithically or cast the columns separately using keyed joint as shown in Detail A. If the columns are cast separately, use threaded deformed bars in lieu of W3 & W4 dowel bars. Bar diameter and embedment length into the web wall shall be as designated. The inserts shall develop the full yield strength of the bars. No change in compensation is allowed with the use of inserts. Coil inserts are not allowed.



FOOTING PLAN
(Interior)

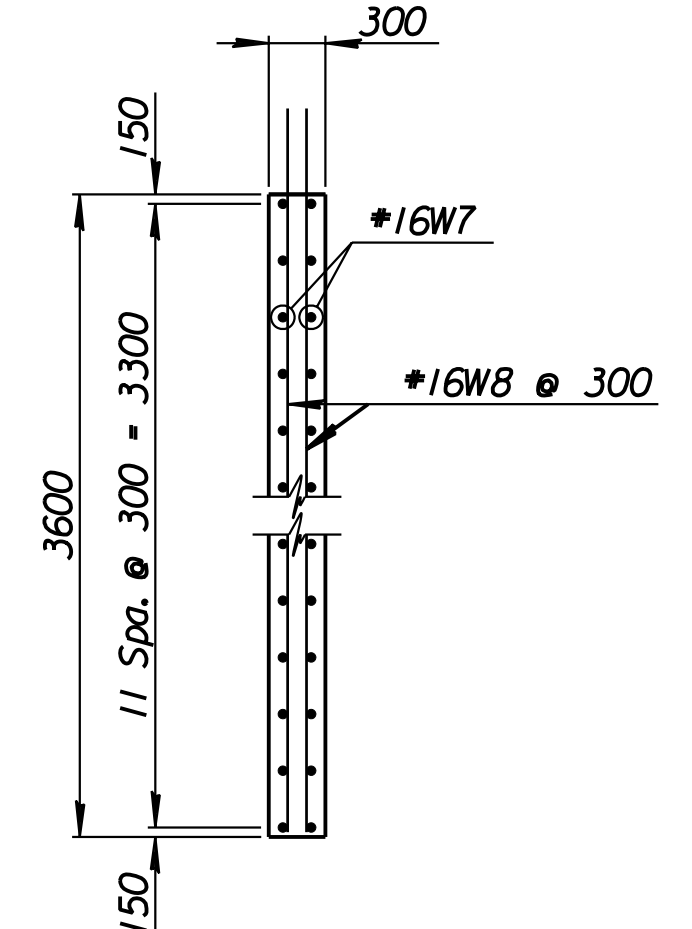


FOOTING PLAN
(Exterior)

Pier Pile Loading (kN)

	Computed	Allowable
Group I Loading	436	440
Group III Loading	528	550
Group IV Loading	538	550
Group V Loading	469	616

Note: See Diaphragm Detail Sheet for Number and Location of #19PB36 bars.



SECTION C-C

DSMR: RWA OPER: gdr SCALE: 25
12/19/97/197362/As-Built/dgrs/vol_3/541-pier.rvt.dgn Last Rev: 9-5-07 By: gdr

Revisions		By	Date
CITY OF WICHITA BR. NO. 54-87-19.29(492)(F.E.B.) STA. 16+005.740			
PIER NO. 3 DETAILS			
EAST BOUND FRONTAGE ROAD OVER COWSKIN CREEK SEDGWICK COUNTY			
Professional Engineering Consultants, P.A.			
303 S. TOPEKA - WICHITA, KANSAS 67202 316-262-2691 • FAX 316-262-3003			
Designed by	R.W.A.	Checked by	R.A.S.
Drawn by	GDR	Date	Apr 11, 2002
		Job No.	97362

RECORD DRAWING