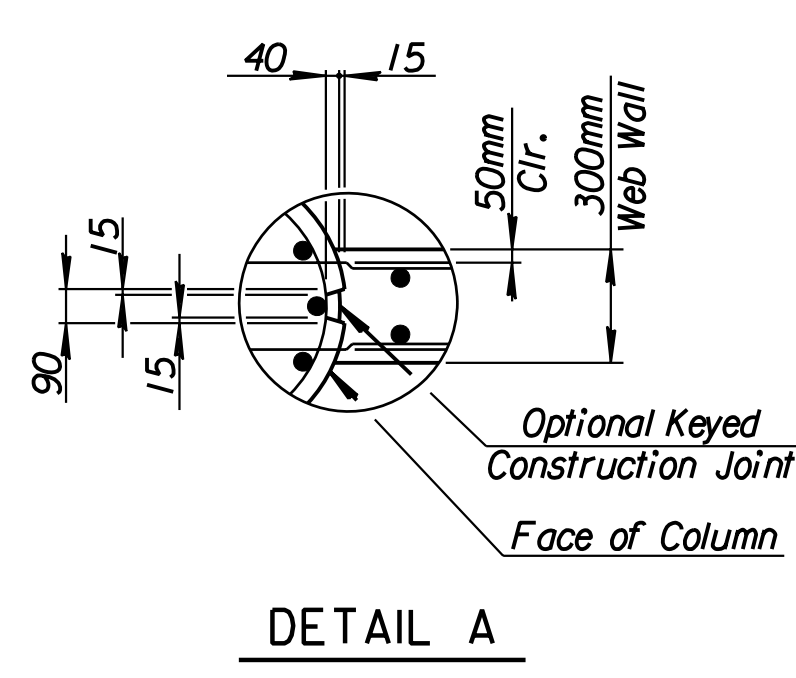
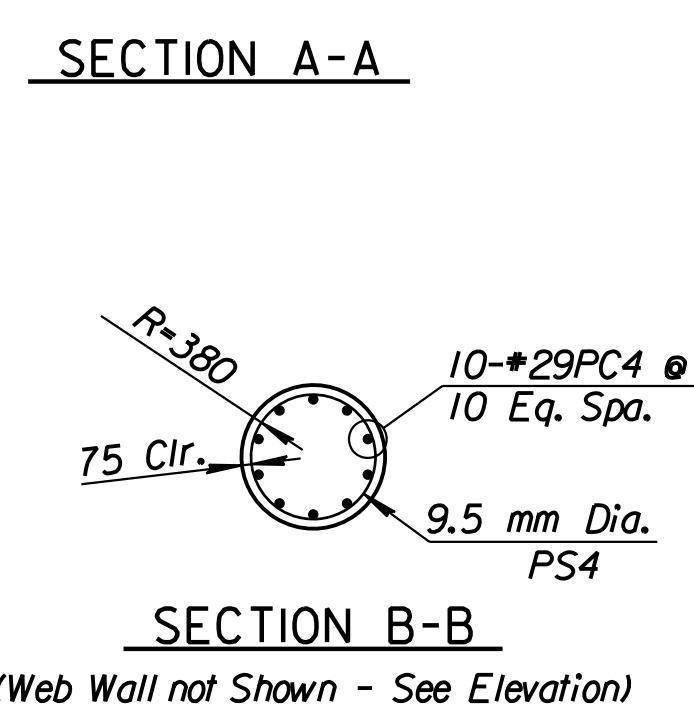
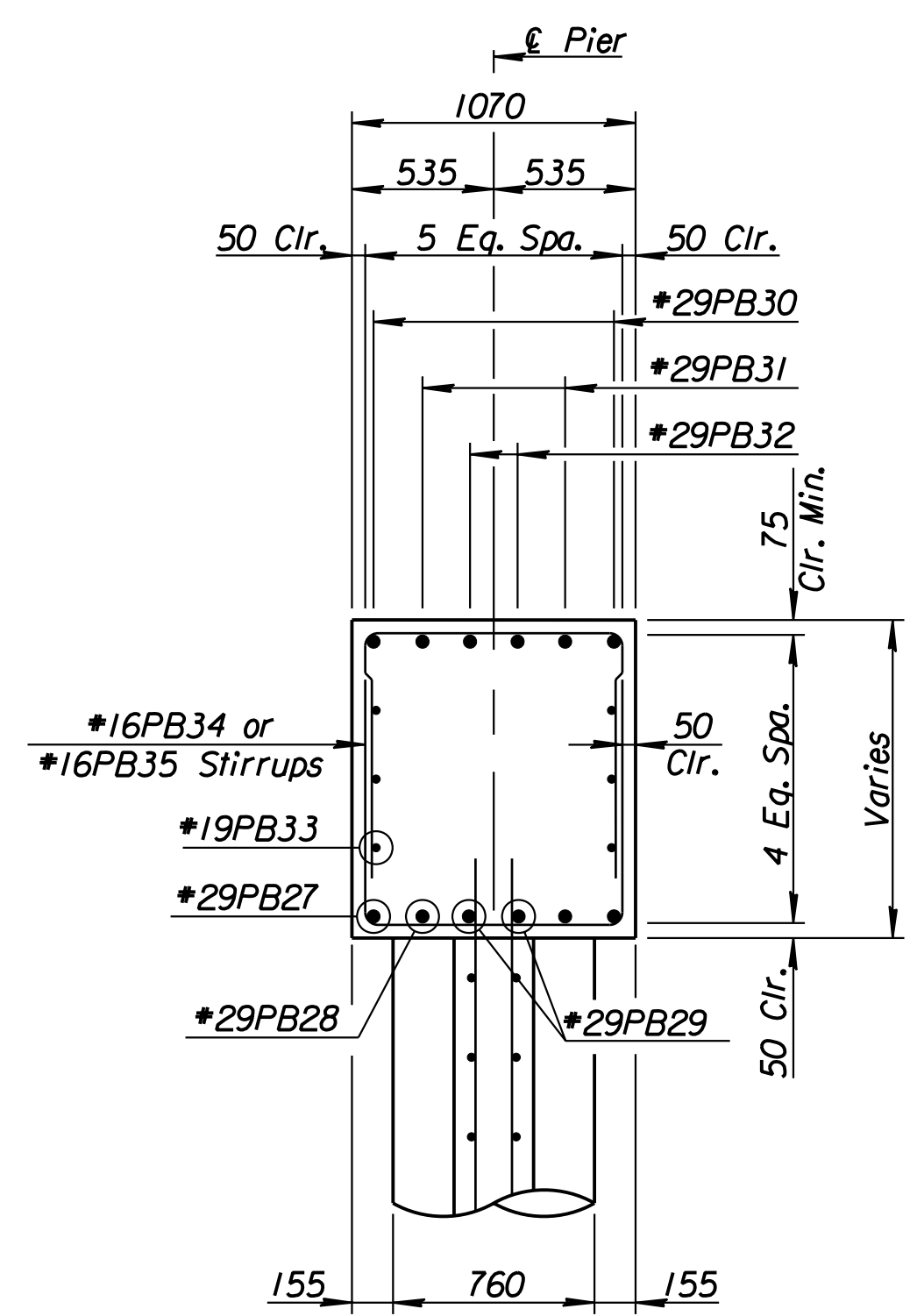
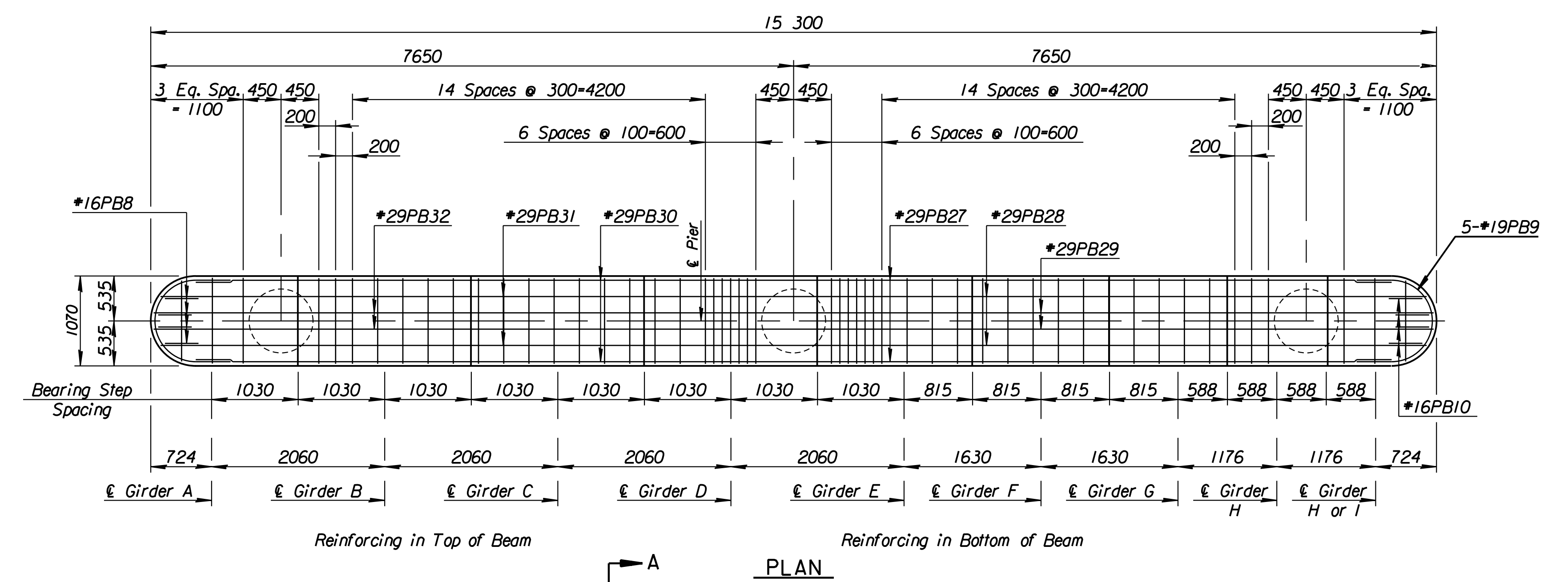
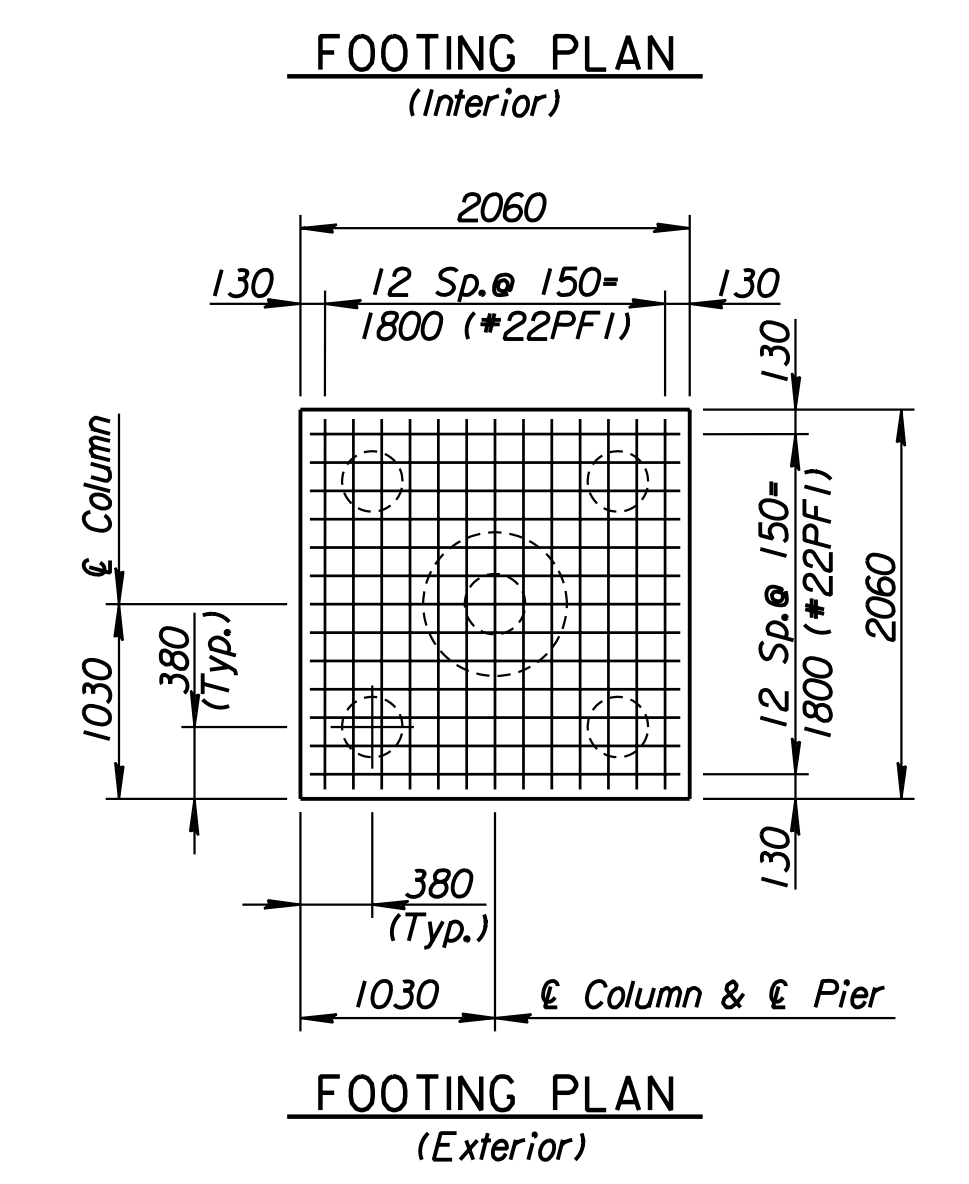
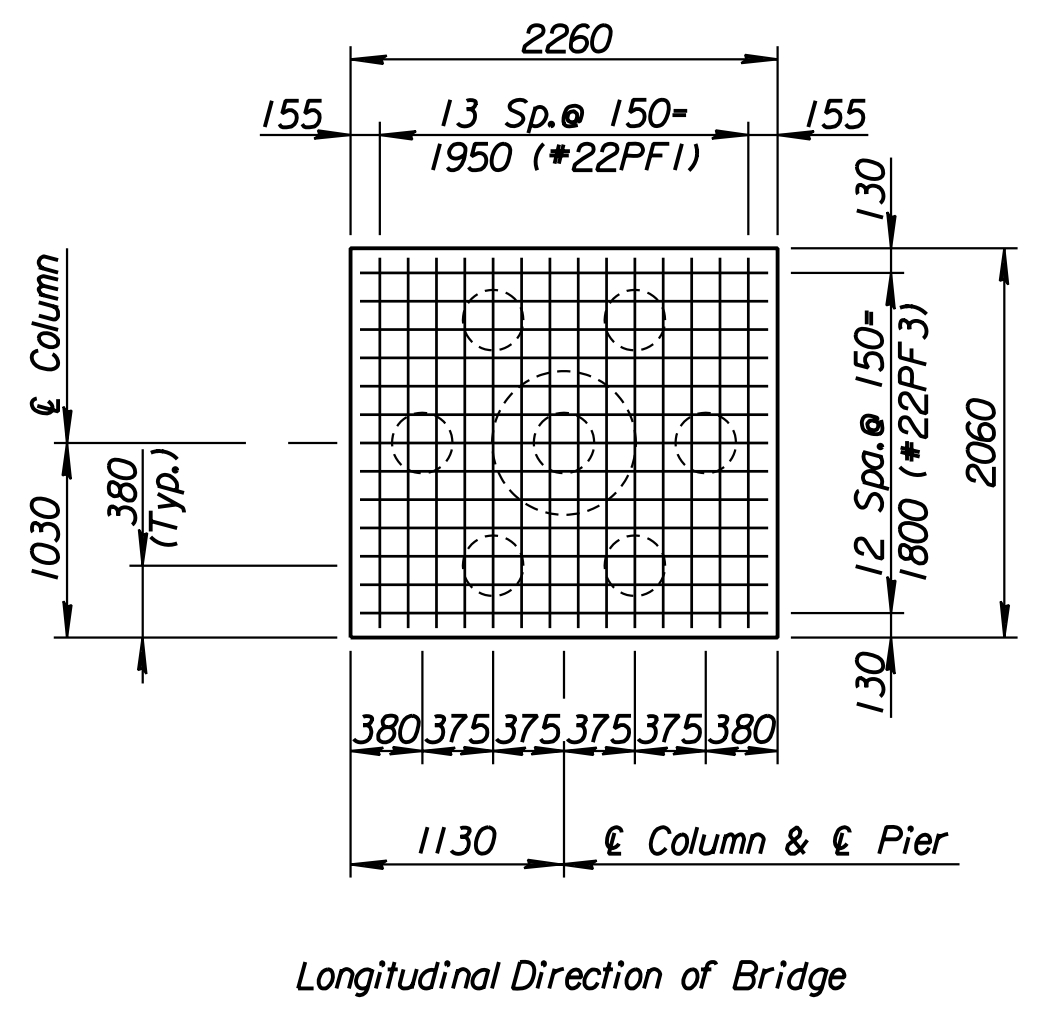


STATE	PROJECT NO.	YEAR	SHEET NO.	TOTAL SHEETS
KANSAS	54-87 K-6657-01	2002	542	1122

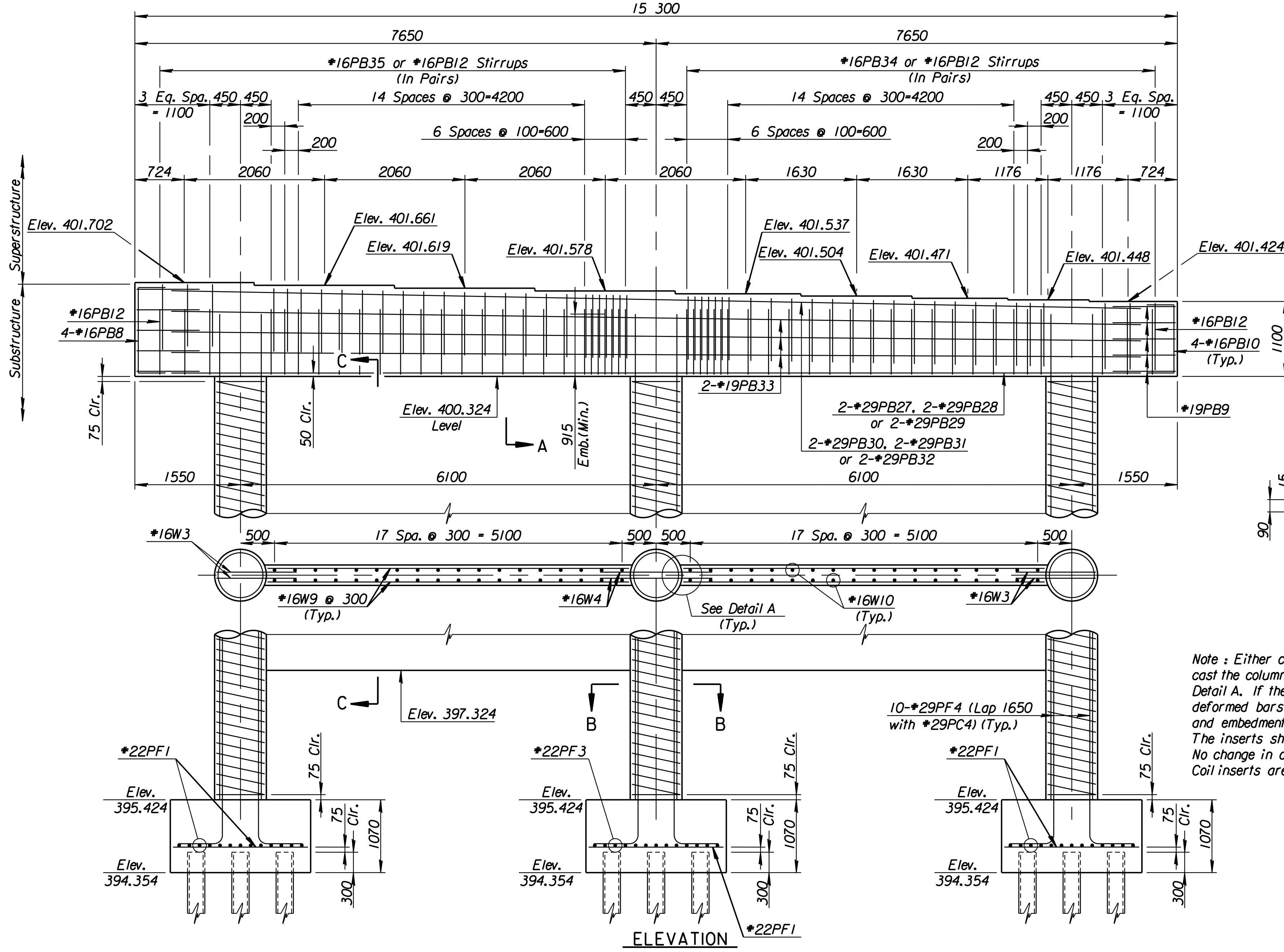
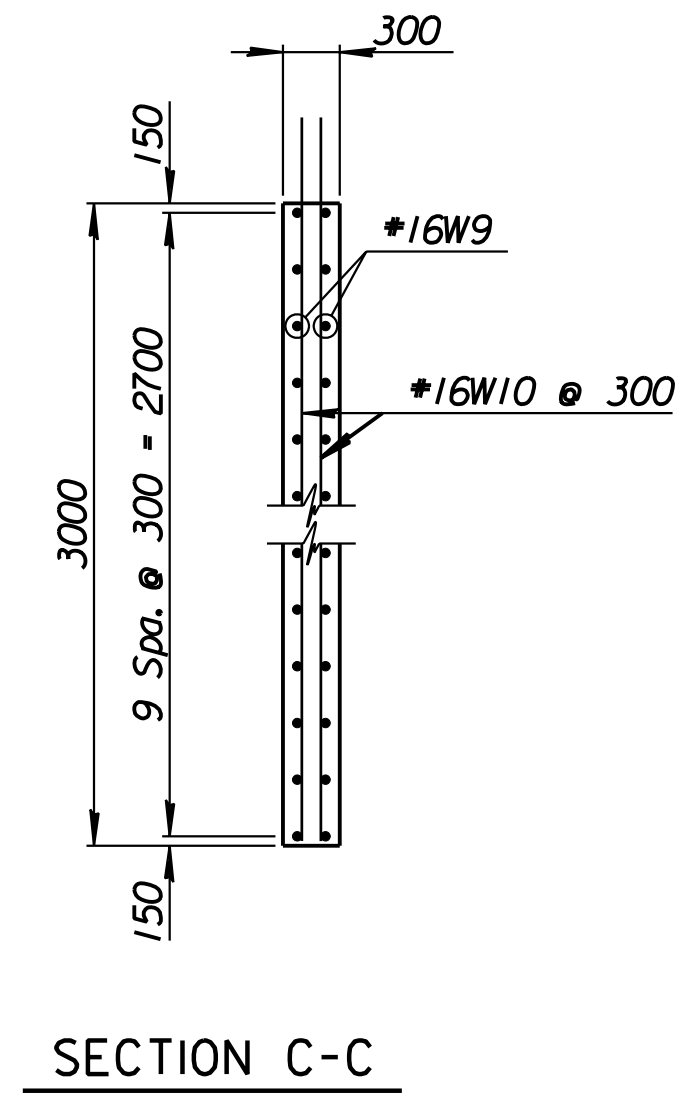


Note: Either cast the columns and pier web monolithically or cast the columns separately using keyed joint as shown in Detail A. If the columns are cast separately, use threaded deformed bars in lieu of W3 & W4 dowel bars. Bar diameter and embedment length into the web wall shall be as designated. The inserts shall develop the full yield strength of the bars. No change in compensation is allowed with the use of inserts. Coil inserts are not allowed.



Pier Pile Loading (kN)

	Computed	Allowable
Group I Loading	430	440
Group III Loading	491	550
Group IV Loading	521	550
Group V Loading	466	616



Note: See Diaphragm Detail Sheet for Number and Location of #19PB36 bars.

No.	Revisions	By	Date

CITY OF WICHITA  
BR. NO. 54-87-19.29(492)(F.E.B.) STA. 16+005.740

**PIER NO. 4 DETAILS**  
EAST BOUND FRONTAGE ROAD  
OVER COWSKIN CREEK  
SEDGWICK COUNTY

Professional Engineering Consultants, P.A.  
303 S. TOPEKA - WICHITA, KANSAS 67202  
316-262-2691 • FAX 316-262-3003

Designed by R.W.A.      Checked by R.A.S.  
Drawn by GDR              Date Apr-11, 2002      Job No. 97362

RECORD DRAWING

DSMR: RWA OPER: gdr SCALE: 25  
12/19/97/197362/As-Built/dgrs/vol\_3/51 542-pier.r1.dgn Last Rev: 9-5-07 By: gdr