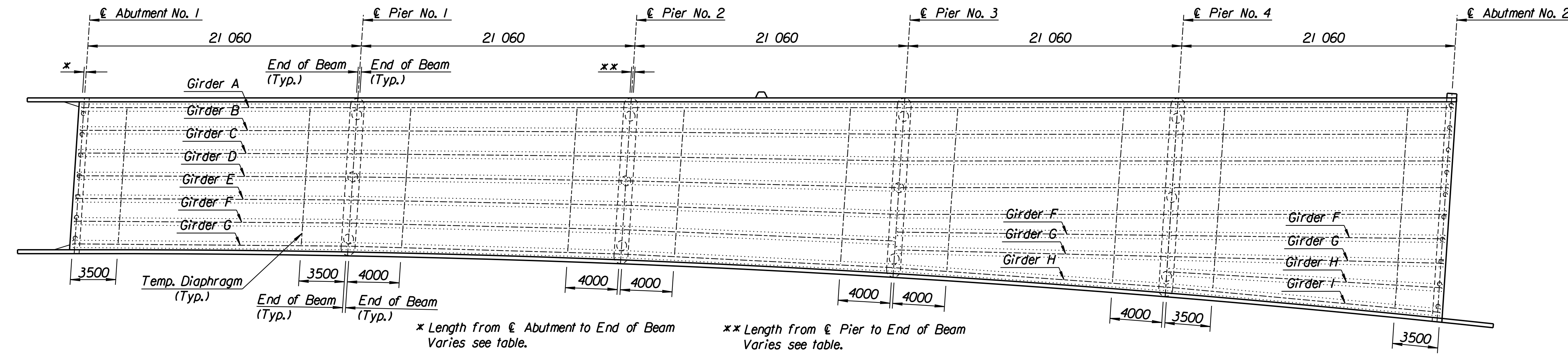
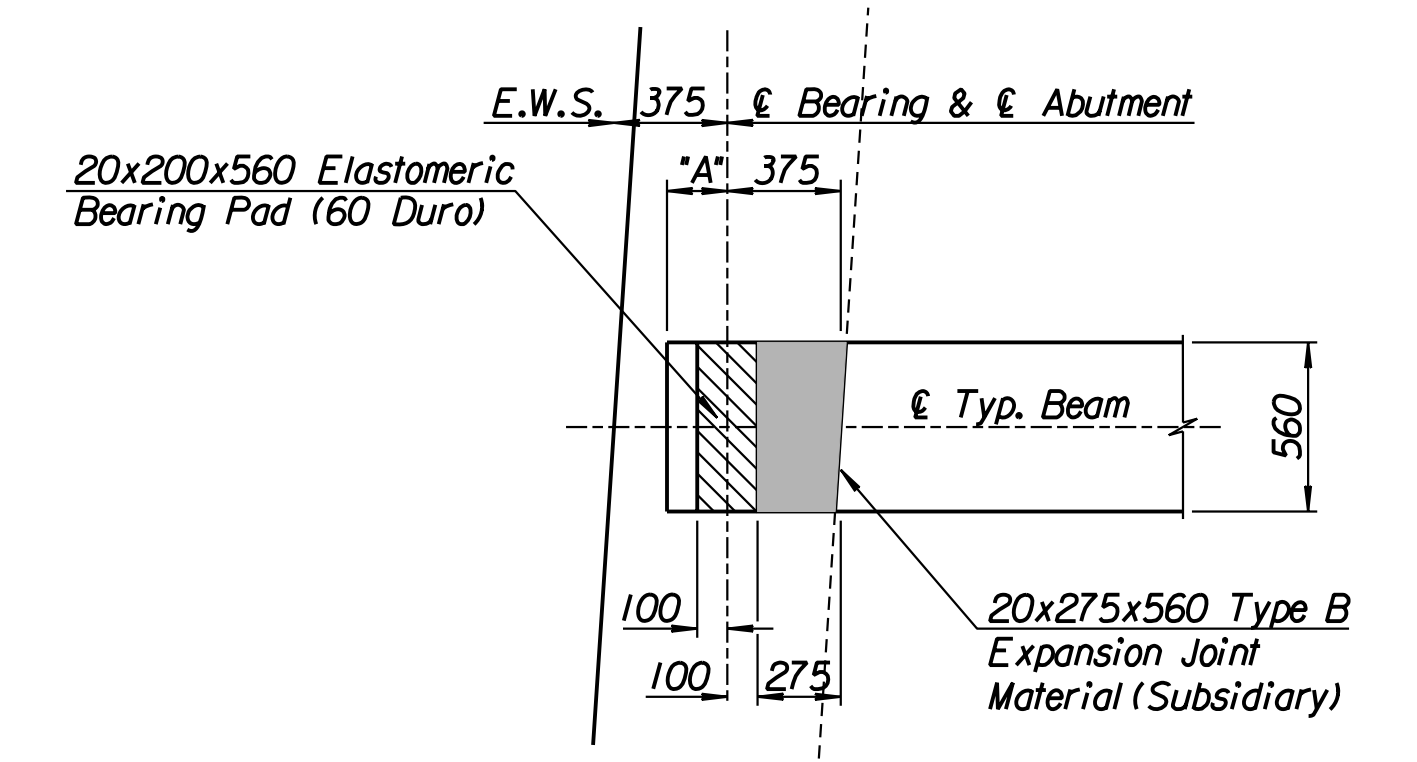
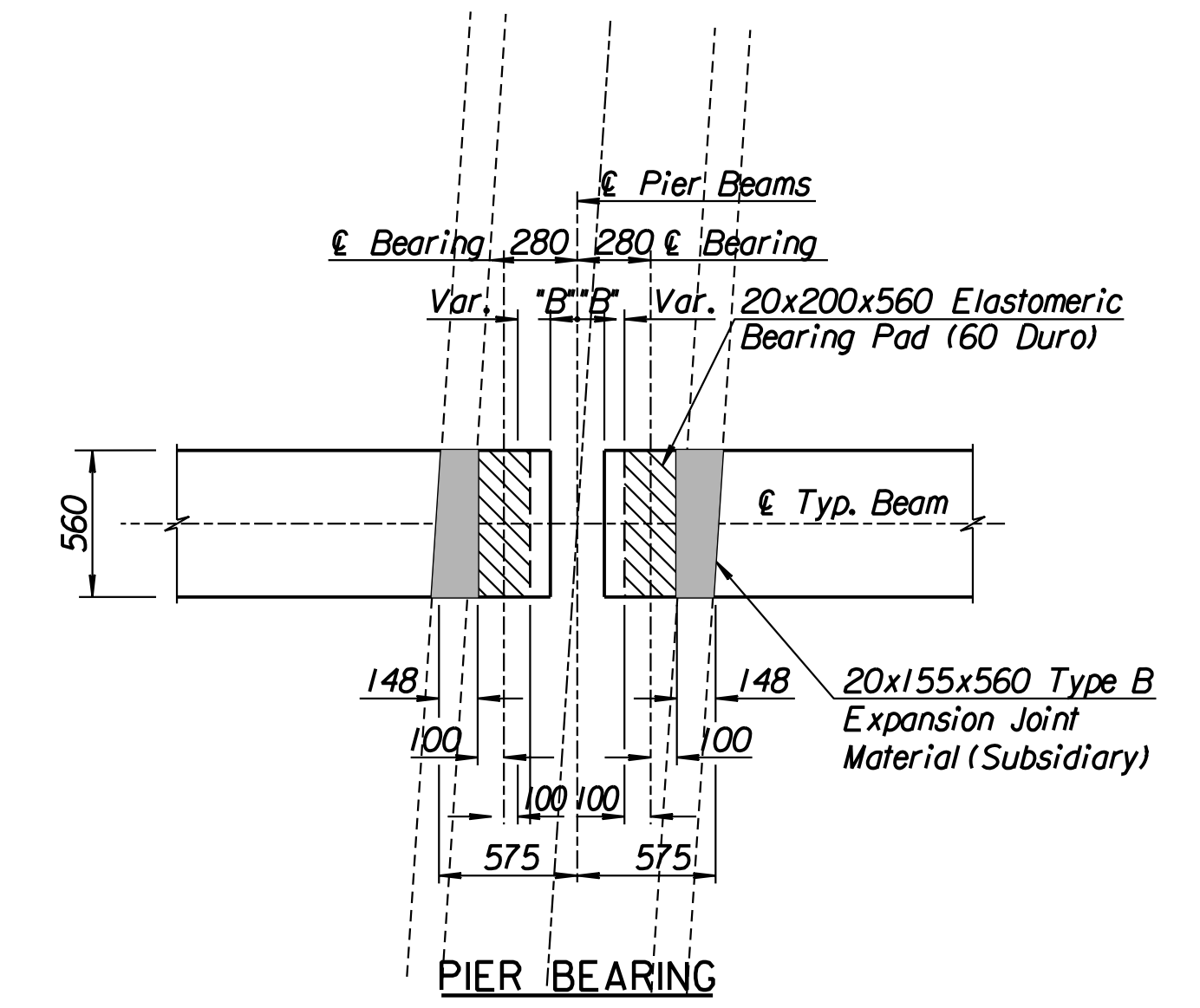


STATE	PROJECT NO.	YEAR	SHEET NO.	TOTAL SHEETS
KANSAS	54-87 K-6657-01	2002	543	1122



FRAMING PLAN

EAST BOUND FRONTAGE ROAD BRIDGE										
BEAM SPACING ALONG € ABUTMENT OR PIER										
Beam	Abutment 1	Abutment 2	Pier 1 West	Pier 1 East	Pier 2 West	Pier 2 East	Pier 3 West	Pier 3 East	Pier 4 West	Pier 4 East
A-B	1754	2060	1782	1782	1884	1884	2060	2060	2060	2060
B-C	1754	2060	1782	1782	1884	1884	2060	2060	2060	2060
C-D	1754	2060	1782	1782	1884	1884	2060	2060	2060	2060
D-E	1754	2060	1782	1782	1884	1884	2060	2060	2060	2060
E-F	1754	1974	1782	1782	1884	1884	2060	1373	1630	1630
F-G	1754	1887	1782	1782	1884	1884	2057	1373	1630	1630
G-H		1887						1373	2352	1176
H-I		1887								1176



ABUTMENT BEARING

RECORD DRAWING

EAST BOUND FRONTAGE ROAD BRIDGE						
BEAM END SPACING (€ BEARING TO END OF BEAM) DIMENSIONS						
Beam	Abut. 1 ("A")	Abut. 2 ("A")	Pier 1 ("B")	Pier 2 ("B")	Pier 3 ("B")	Pier 4 ("B")
A	170	170	130	130	130	130
B	169	178	127	127	122	138
C	168	184	124	124	116	144
D	167	189	121	121	111	149
E	166	193	119	119	107	153
F	165	196	116	116	104	140
G	165	197	114	114	103	130
H		215			103	130
I		190				112

No.		Revisions	By	Date
CITY OF WICHITA BR. NO. 54-87-19.29(492) F.E.B. STA. 16+005.740 FRAMING PLAN EAST BOUND FRONTAGE ROAD OVER COWSKIN CREEK SEDGWICK COUNTY				
Professional Engineering Consultants, P.A. 303 S. TOPEKA • WICHITA, KANSAS 67202 316-262-2691 • FAX 316-262-3003				
Designed by	M.D.G.	Checked by	R.A.S.	
Drawn by	W.L.L.	Date	April, 2002	Job No. 97362

Drawn by: wll
 Plotted by: gdr
 It: 1997.09.30.362/As-Built/dgn/s/Vol.3/Sh.543-Framplan.dgn Last Rev: 9-5-07 By: gdr