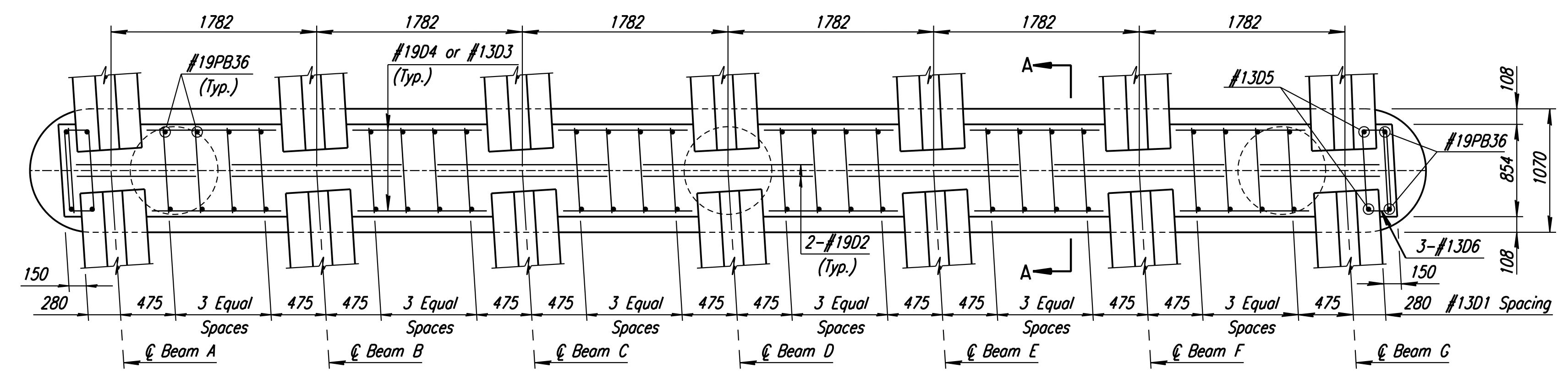
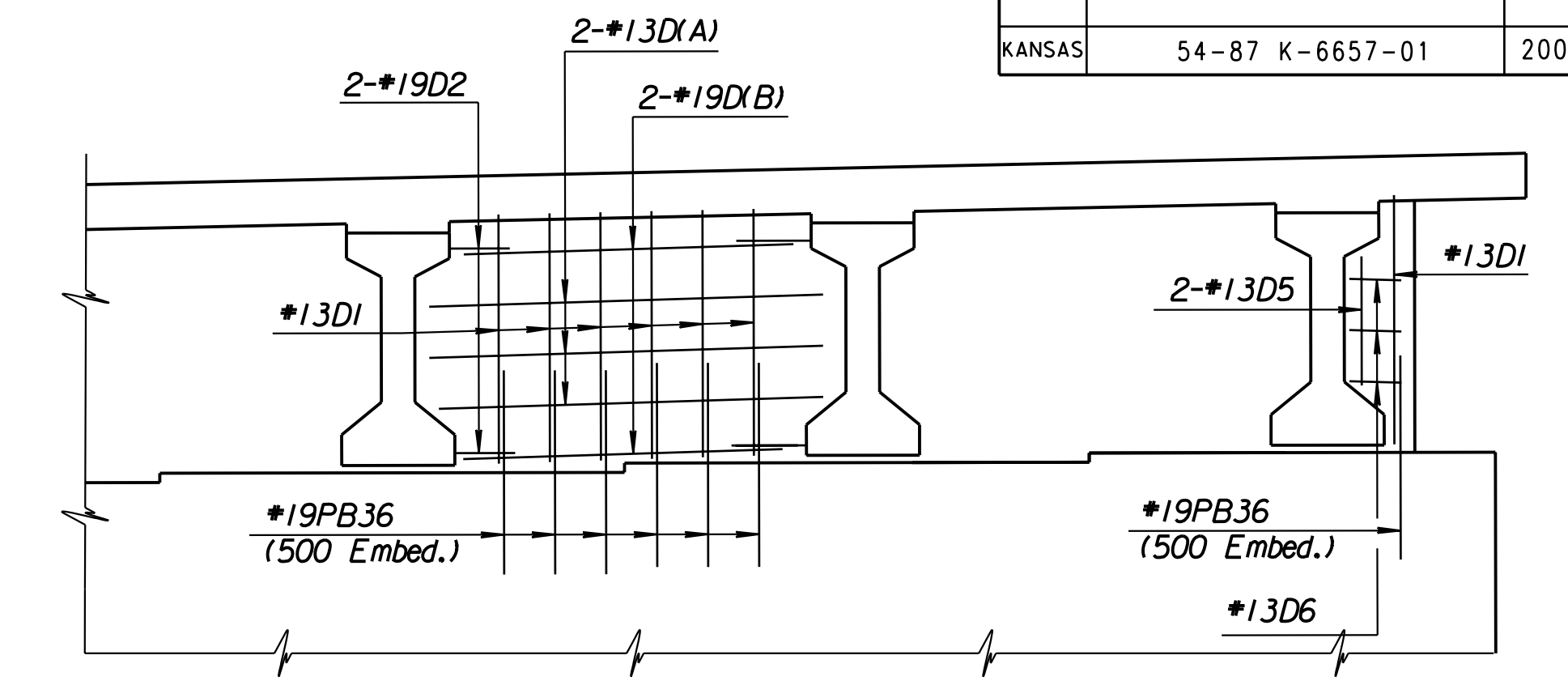


STATE	PROJECT NO.	YEAR	SHEET NO.	TOTAL SHEETS
KANSAS	54-87 K-6657-01	2002	546	1122

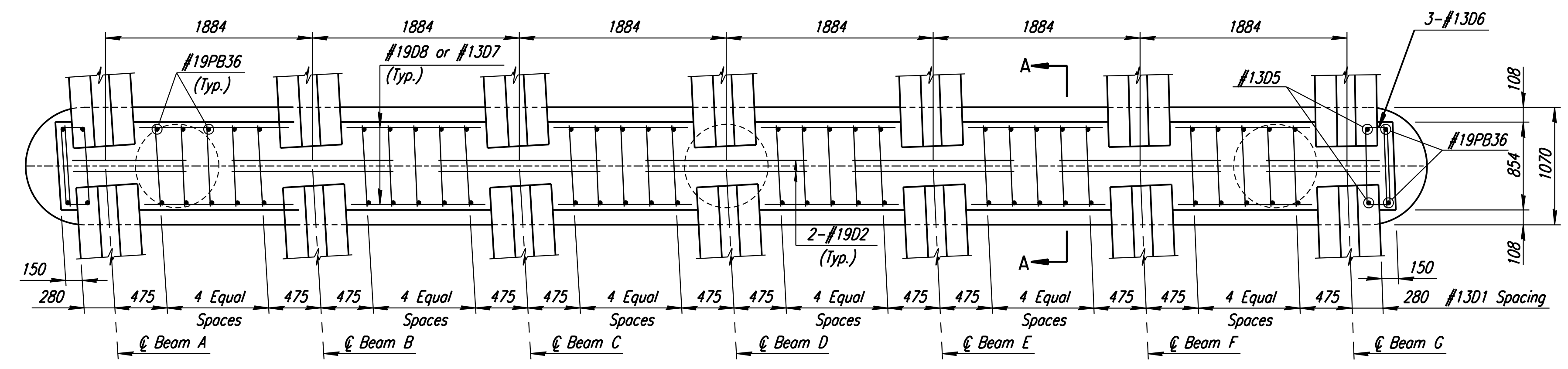


PLAN SECTION THRU PIER DIAPHRAGM
PIER NO. 1

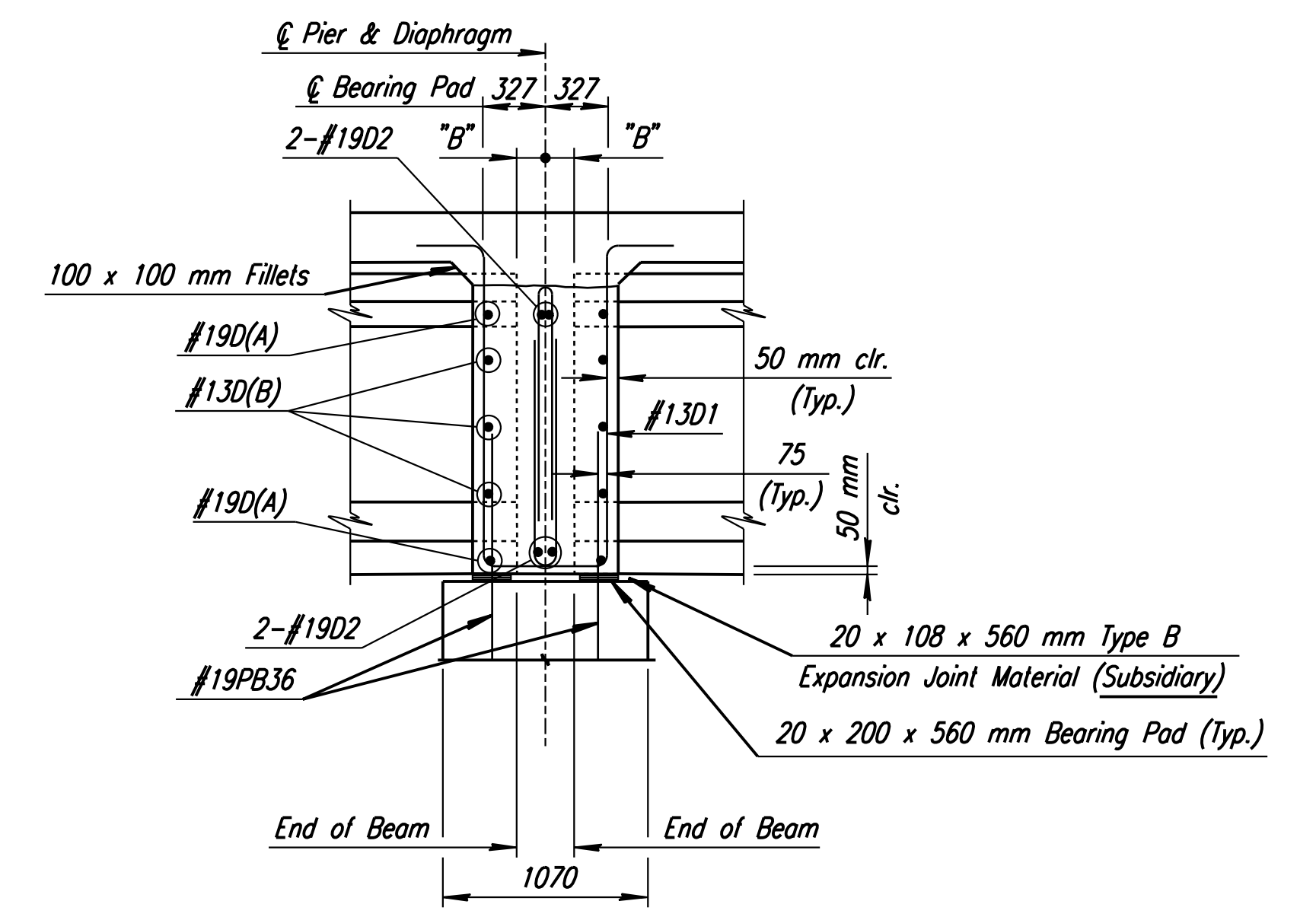


PIER DIAPHRAGM ELEVATION

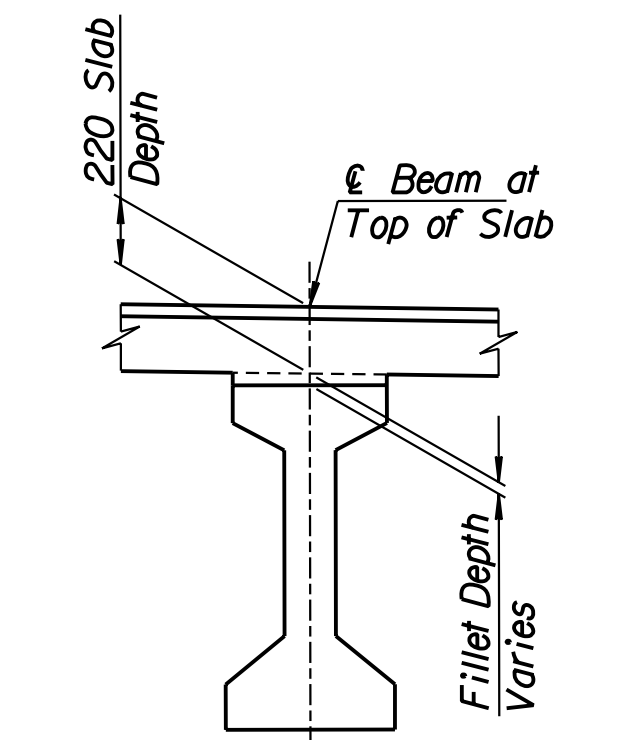
See Plan Sections for clarification of #13D(A) and #19D(B) bar callouts.



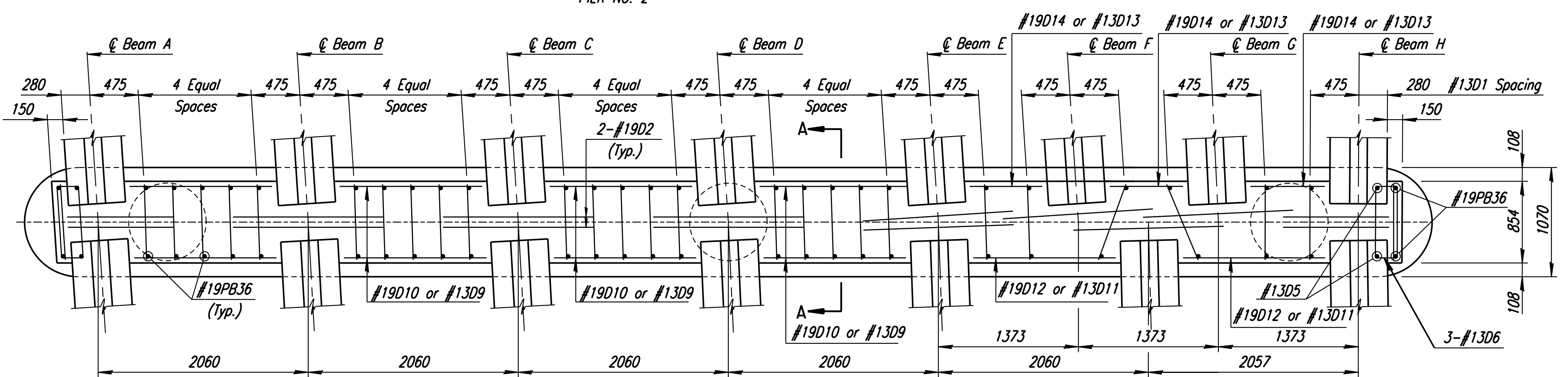
PLAN SECTION THRU PIER DIAPHRAGM
PIER NO. 2



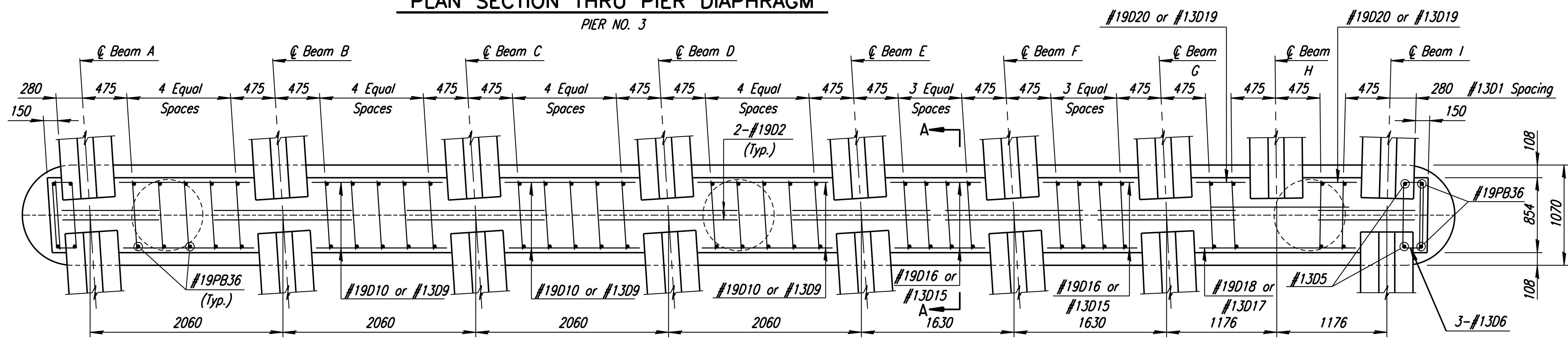
SECTION A-A



CONCRETE FILLET DETAIL



PLAN SECTION THRU PIER DIAPHRAGM
PIER NO. 3



PLAN SECTION THRU PIER DIAPHRAGM
PIER NO. 4

RECORD DRAWING

No.	Revisions	By	Date
CITY OF WICHITA BR. NO. 54-87-19.29(492) F.E.B. STA. 16+005.740			
DIAPHRAGM DETAILS EAST BOUND FRONTAGE ROAD OVER COWSKIN CREEK SEDGWICK COUNTY			
Professional Engineering Consultants, P.A. 303 S. TOPEKA • WICHITA, KANSAS 67202 316-262-2691 • FAX 316-262-3003			
Designed by	RAS	Checked by	R.A.S.
Drawn by	GDR	Date	April, 2002
		Job No.	97362

Scale: 3/8" = 1'-0"
Plotted by: srb 3-27-2002
it/1997/19/362/As-Built/dgn/s/Vol_3/Sh_546-Frdiaphragm Last Rev: 9-5-07 By: gdr