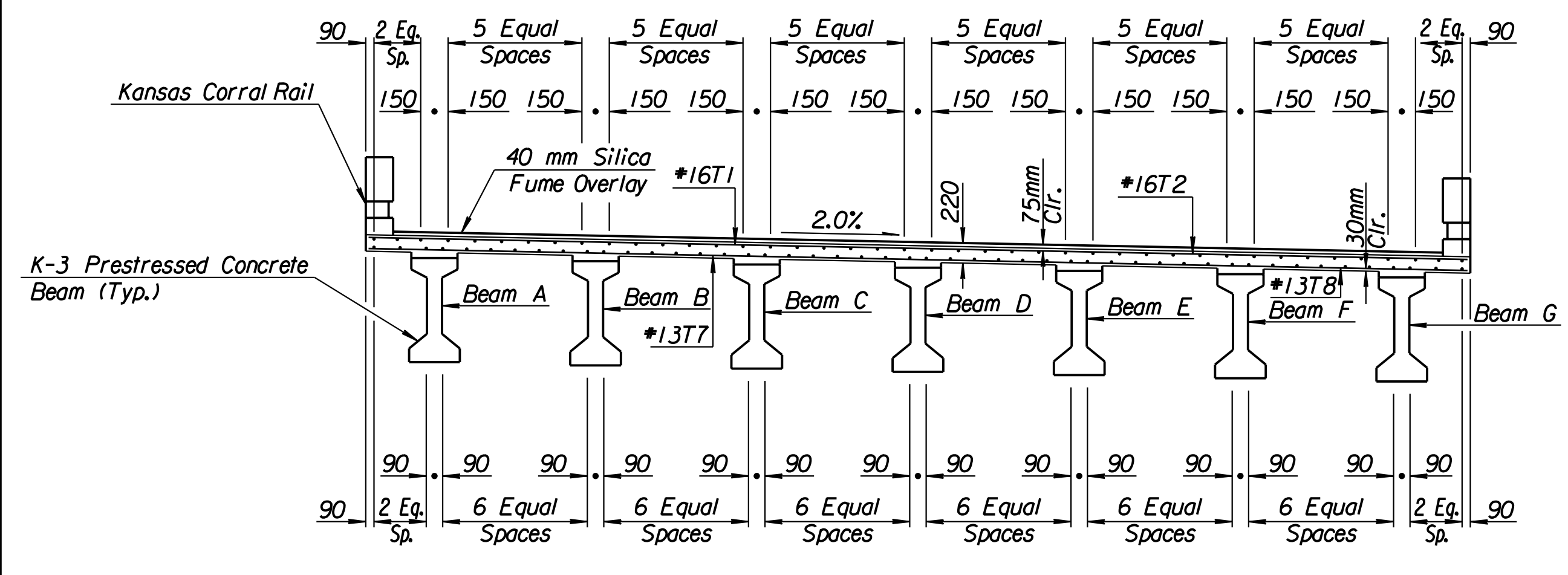
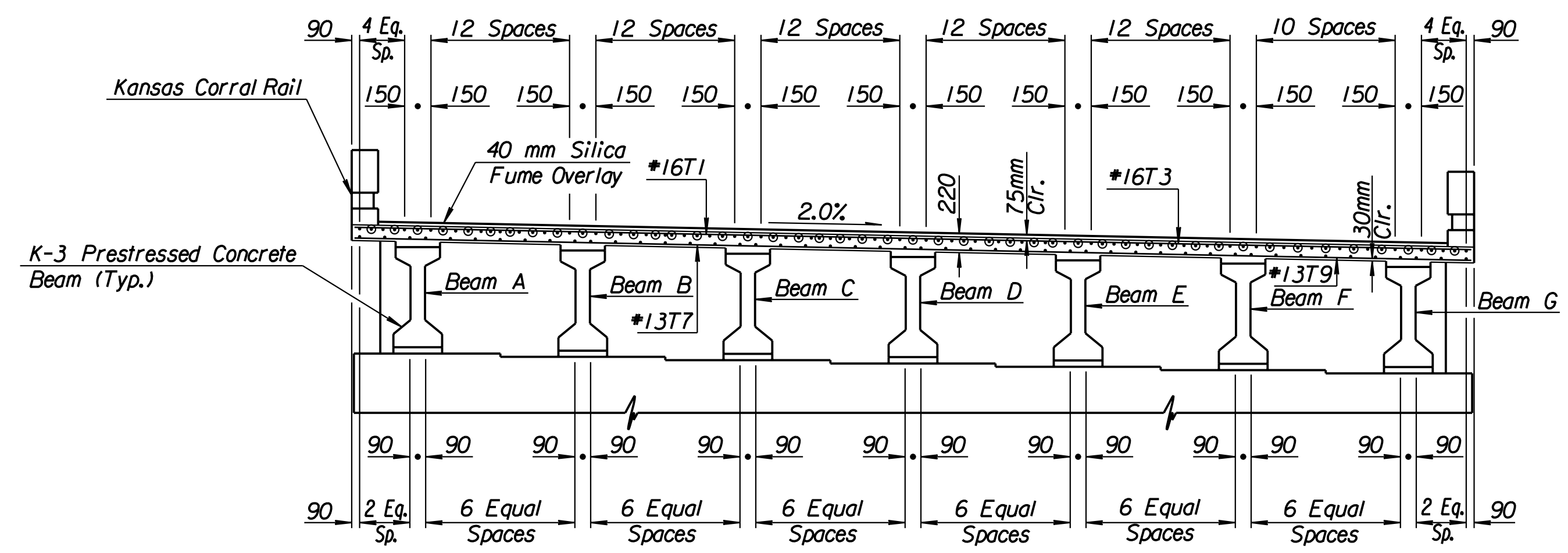


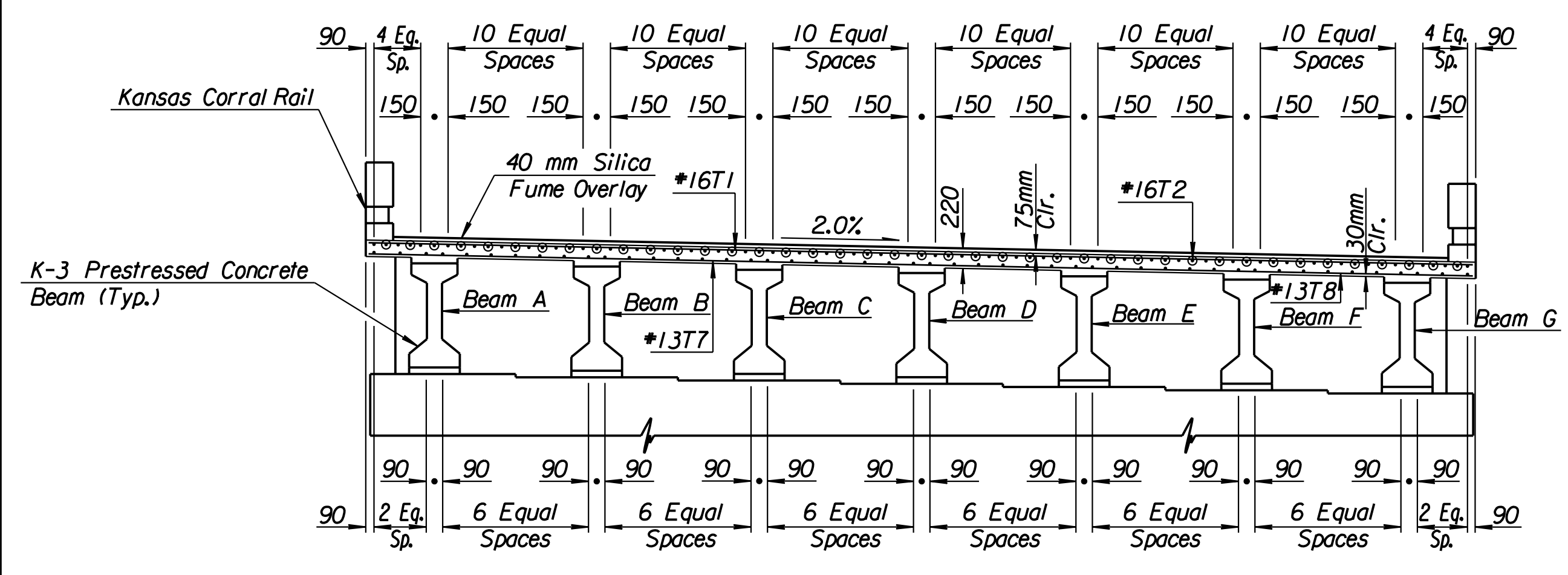
STATE	PROJECT NO.	YEAR	SHEET NO.	TOTAL SHEETS
KANSAS	54-87 K-6657-01	2002	554	1122



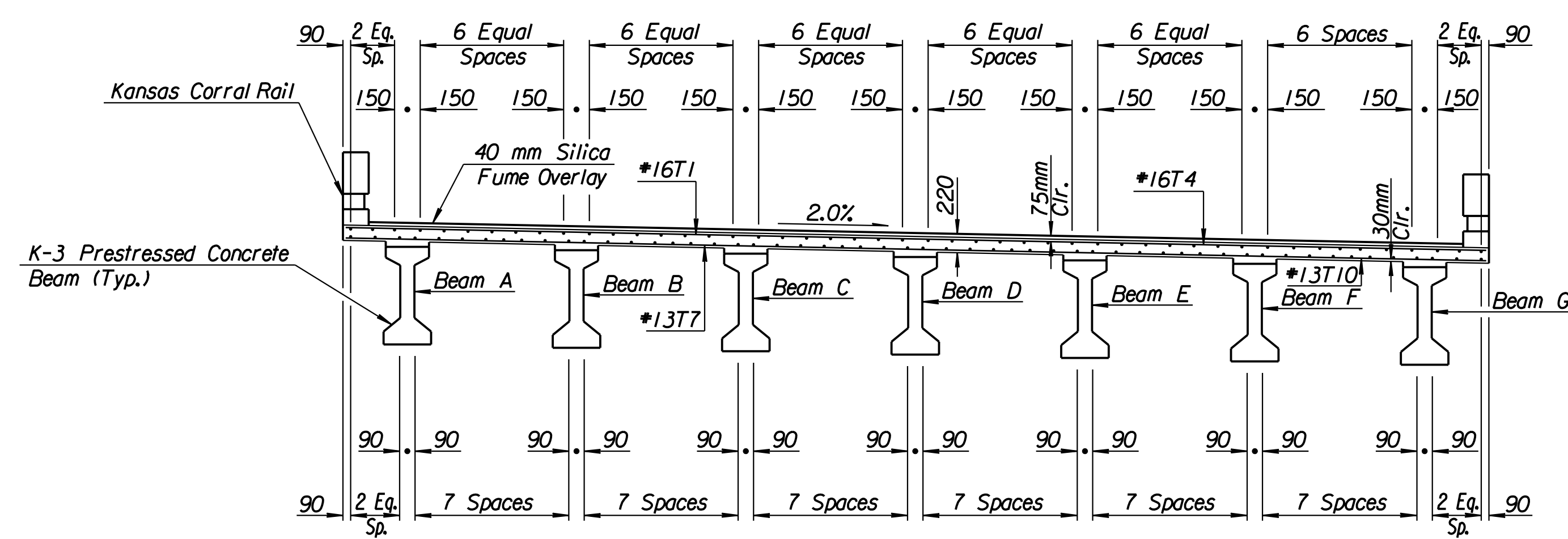
SECTION
(Center of Span 1)



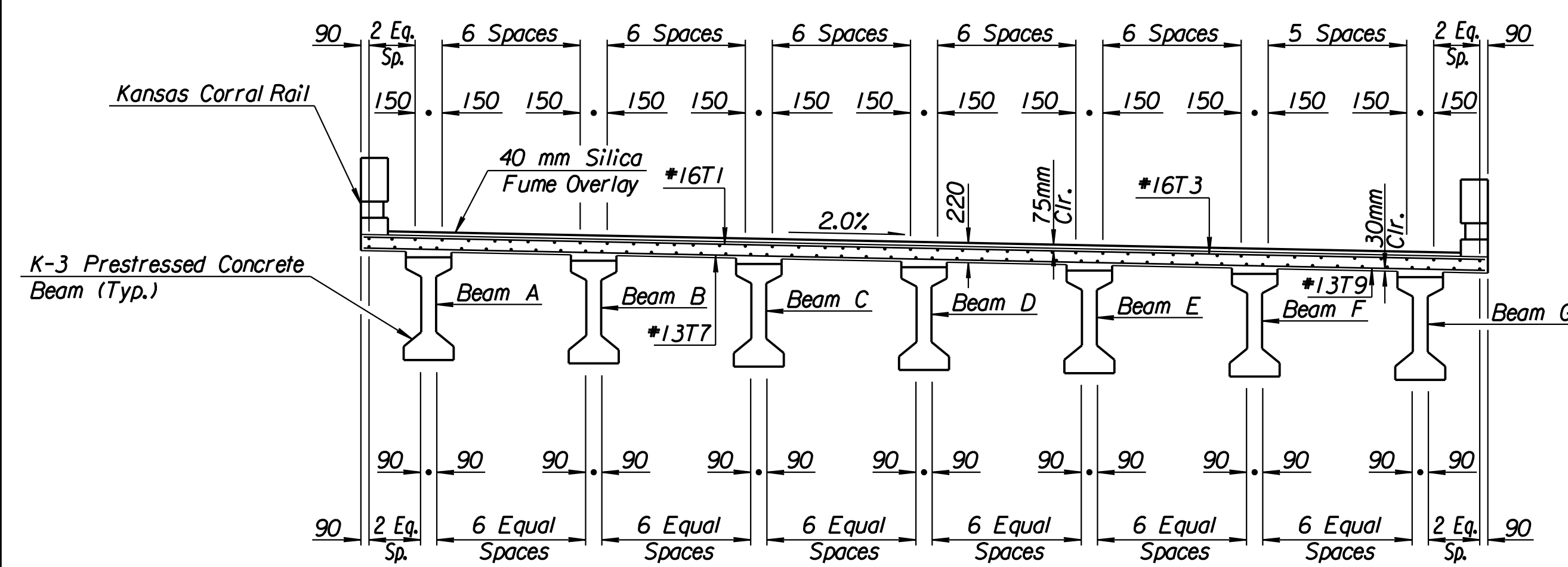
SECTION
(Near & Pier No. 2)



SECTION
(Near & of Pier 1)



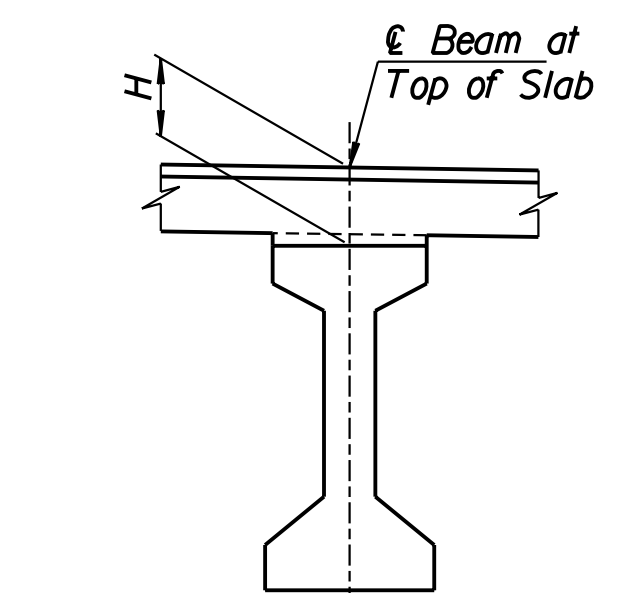
SECTION
(Center of Span 3)



SECTION
(Center of Span 2)

LEGEND:
S5 = ∅

Notes:
All Dimensions are Perpendicular from & of Beam



CONCRETE FILLET DETAIL

H = 280 mm at & Abutments and Piers

RECORD DRAWING

Revisions				By	Date
No.					
CITY OF WICHITA BR. NO. 54-87-19.29(492) F.E.B. STA. 16+005.740					
TYPICAL SECTIONS					
EAST BOUND FRONTAGE ROAD					
OVER COWSKIN CREEK					
SEDGWICK COUNTY					
Professional Engineering Consultants, P.A.					
303 S. TOPEKA • WICHITA, KANSAS 67202 316-262-2691 • FAX 316-262-3003					
Designed by	RAS	Checked by	RAS		
Drawn by	DRP	Date	April, 2002	Job No.	97362

DSNR: RAS OPER: DRP SCALE: 200
 i:/1997/97362/As-Built/dgn's/VoL_3/5h_554-TYPSECR.dgn Last Rev: 9-5-07 By: gdr