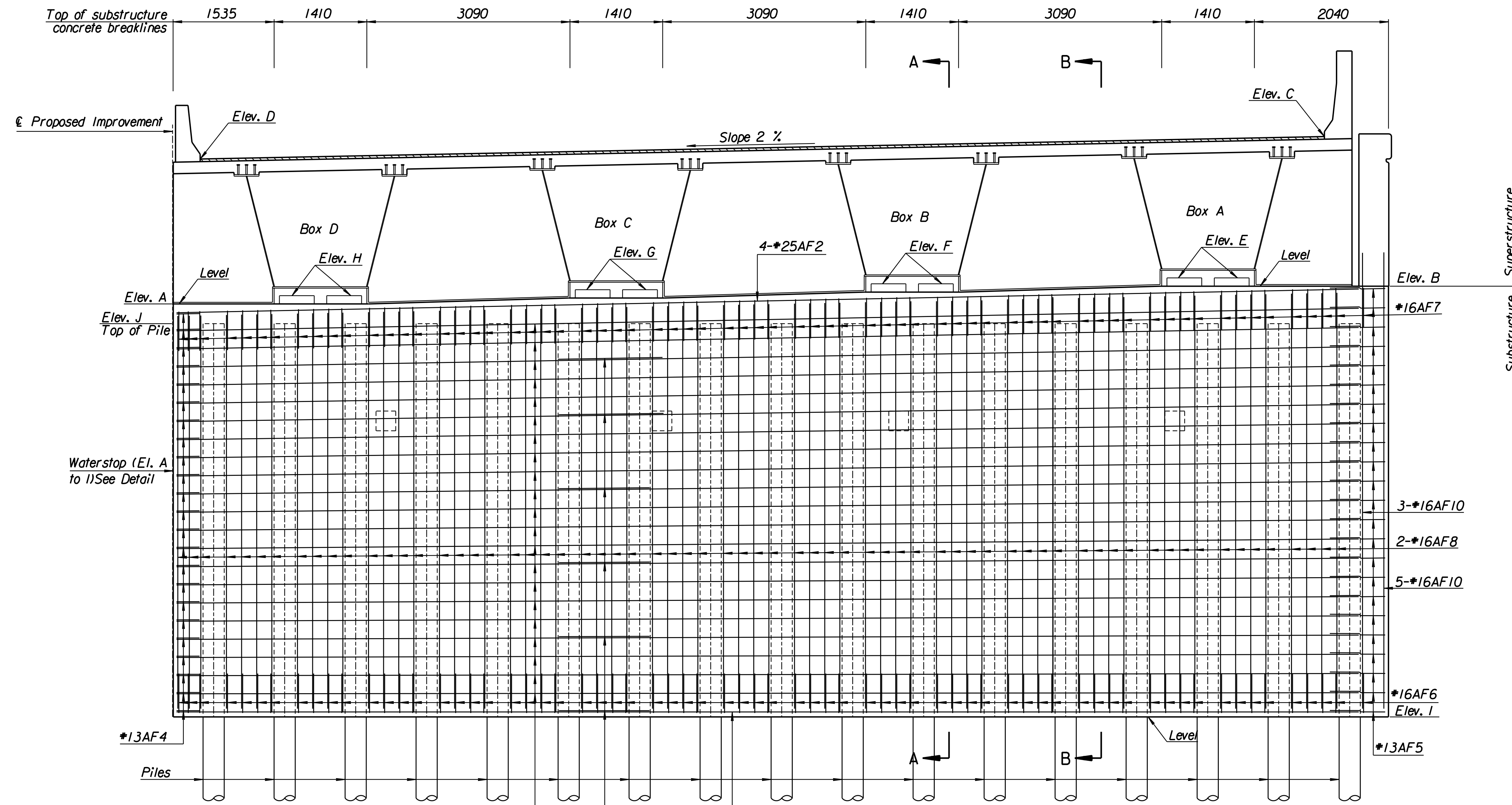
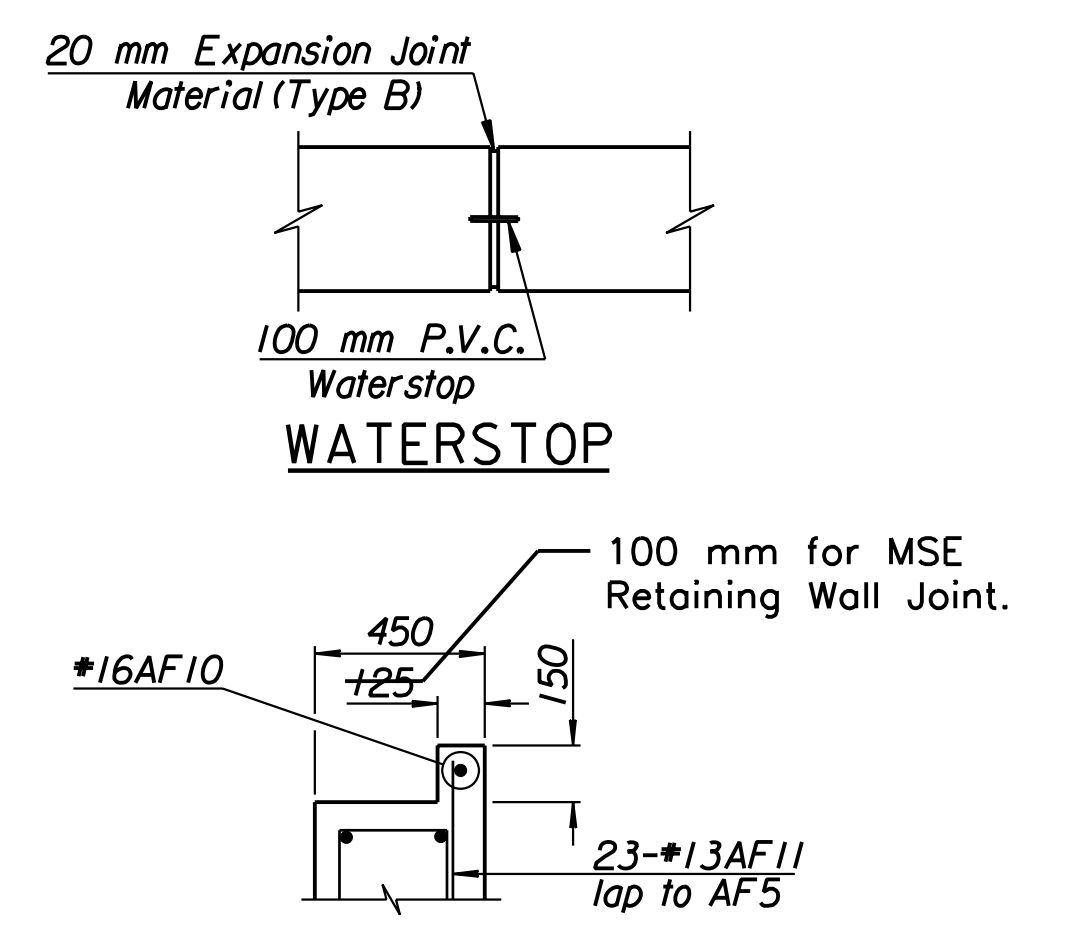


STATE	PROJECT NO.	YEAR	SHEET NO.	TOTAL SHEETS
KANSAS	54-87 K-6657-01	2002	572	1122



LEGEND:
 N.F. = Near Face
 F.F. = Far Face
 E.F. = Each Face



PARTIAL PLAN
 This detail complies with the Alt. No. 2.
 NOTE: For Alt. No. 1 detail see plan this sheet.
 Additional reinforcing required for Alt. No. 2 bid is 1-#16AF10 and 23-#13AF11. Additional concrete and reinforcing are considered subsidiary.

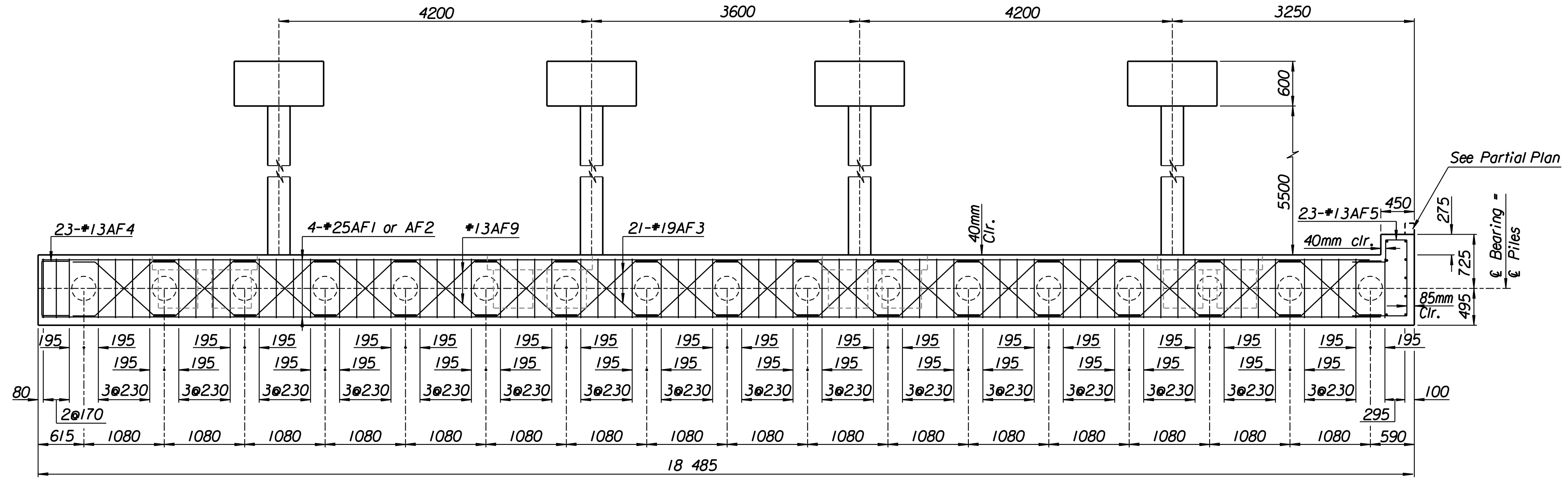
ELEVATION
 Abutment No. 1 shown looking backstation
 Abutment No. 2 similar mirrored about & Brg.

TABLE OF ELEVATIONS

	Abut. #1	Abut. #2	
Location	Elevation	Elevation	
Elev. A	410.208	410.174	
Elev. B	410.478	410.444	
Elev. C	412.747	412.713	
Elev. D	412.405	412.371	410.560
Elev. E	410.604	410.570	410.526
Elev. F	410.514	410.480	410.436
Elev. G	410.424	410.390	410.346
Elev. H	410.334	410.300	410.256
Elev. I	403.930	403.896	
Elev. J	409.908	409.874	

Abutment Pile Loadings (kN)

Group / Loading	Actual	Allowable
Group 1 Loading	429	440



PLAN

Scale 40
 Drawn By: ros
 Plotted By: gdr
 I:/1997/97362/As-Builts/dgn's/Vol_3/Sh 572-ABUT1WB.dgn Last Rev: 9-6-07 By: gdr

RECORD DRAWING

No.	Revisions	By	Date
CITY OF WICHITA			
BR. NO. 54-87-20.13(496) W.B.		STA. 17+332.607	
KELLOGG OVER TYLER ROAD			
ABUTMENT DETAILS			
SEDGWICK COUNTY			
Professional Engineering Consultants, P.A. 303 S. TOPEKA - WICHITA, KANSAS 67202 316-262-2691 • FAX 316-262-3003			
Designed by	RAS	Checked by	RAS
Drawn by	RAS	Date	April, 2002
		Job No.	97362