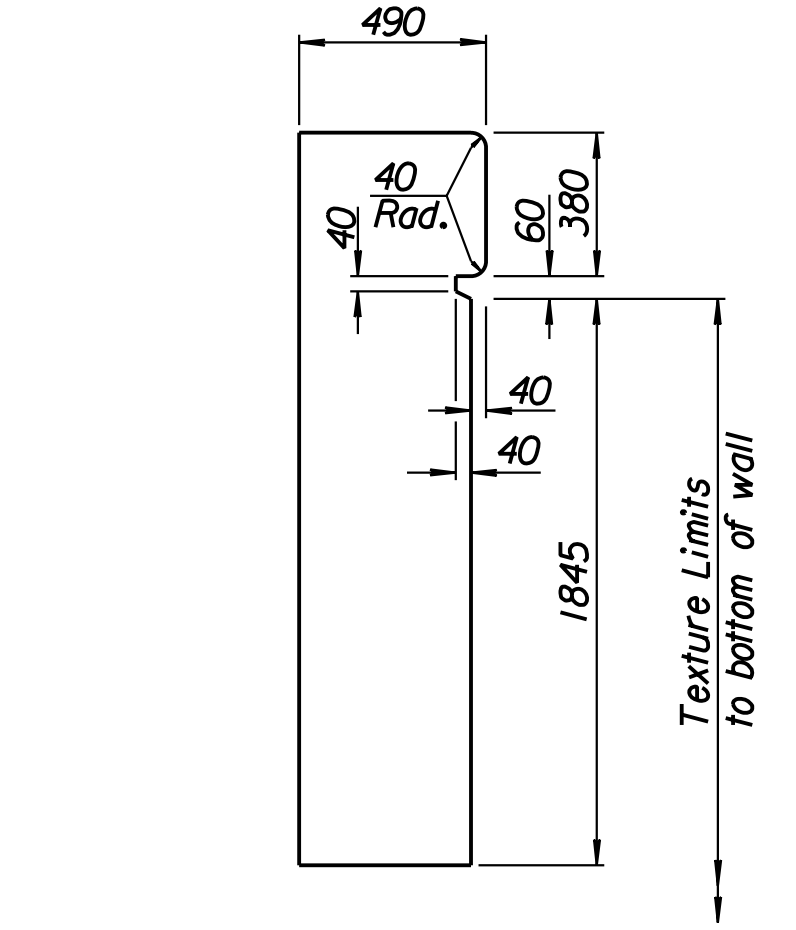
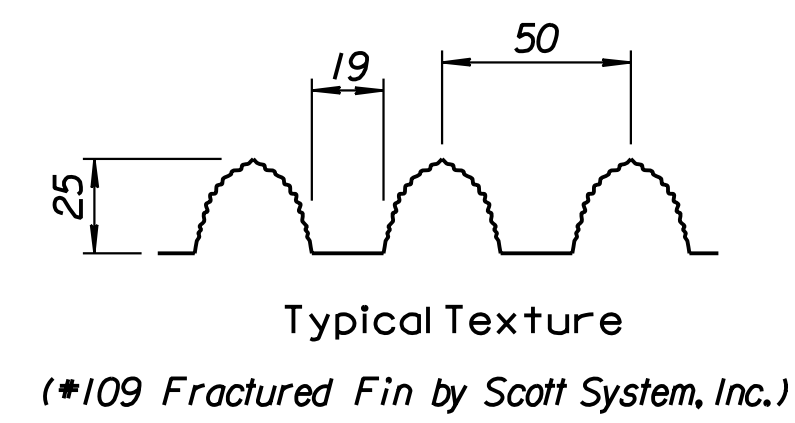
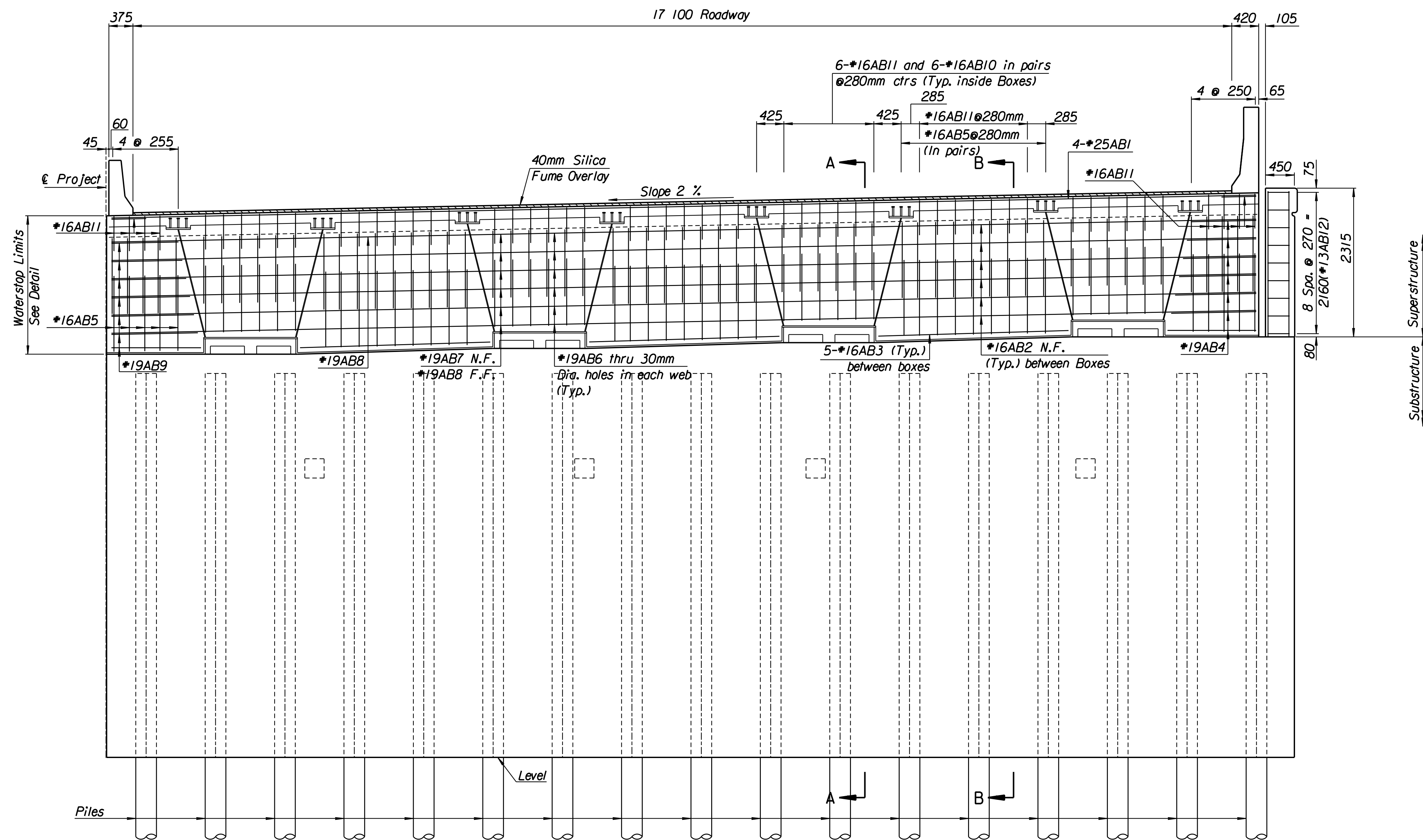
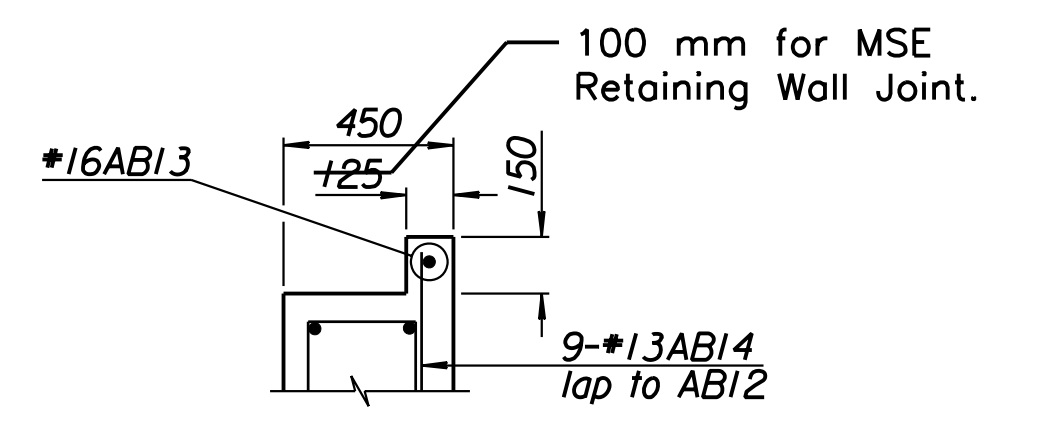
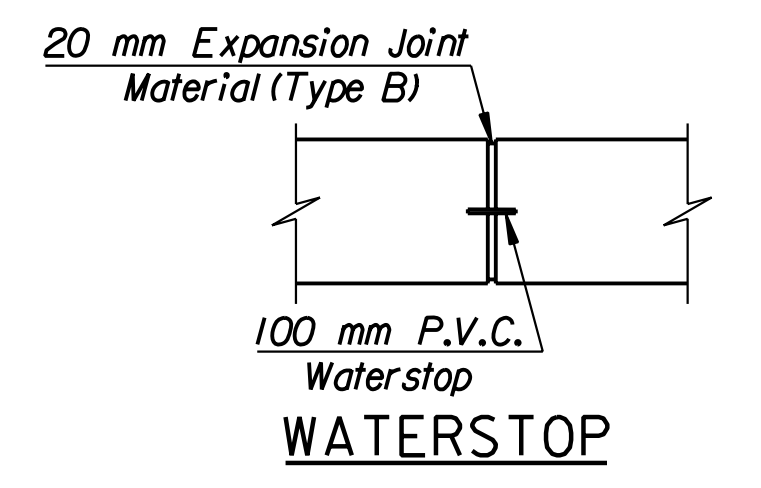


STATE	PROJECT NO.	YEAR	SHEET NO.	TOTAL SHEETS
KANSAS	54-87 K-6657-01	2002	573	1122



LEGEND:
N.F. = Near Face
F.F. = Far Face
E.F. = Each Face



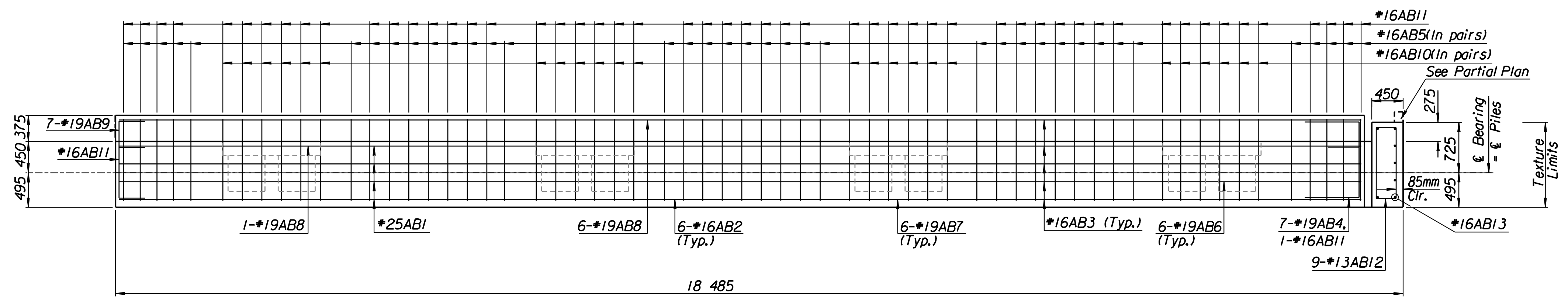
PARTIAL PLAN

This detail complies with the Alt. No. 2.
NOTE: For Alt. No. 1 detail see plan this sheet.

Additional reinforcing required for Alt. No. 2 bid is 1-*16AB13 and 9-*13AB14. Additional concrete and reinforcing are considered subsidiary.

ELEVATION

Abutment No. 1 shown looking backstation
Abutment No. 2 similar mirrored about & Brg.



RECORD DRAWING

No.	Revisions	By	Date
CITY OF WICHITA			
BR. NO. 54-87-20.13(496) W.B.		STA. 17+332.607	
KELLOGG OVER TYLER ROAD ABUTMENT DETAILS			
SEDGWICK COUNTY			
Professional Engineering Consultants, P.A.			
303 S. TOPEKA - WICHITA, KANSAS 67202 316-262-2691 • FAX 316-262-3003			
Designed by	RAS	Checked by	RAS
Drawn by	RAS	Date	April, 2002
		Job No.	97362

Scale 40
Drawn By: ros
Plotted By: gdr Sept. 07
I:/1997/97362/As-Built/dgn's/Vol_3/Sh 573-ABUT1WB.dgn Last Rev: 9-6-07 By: gdr