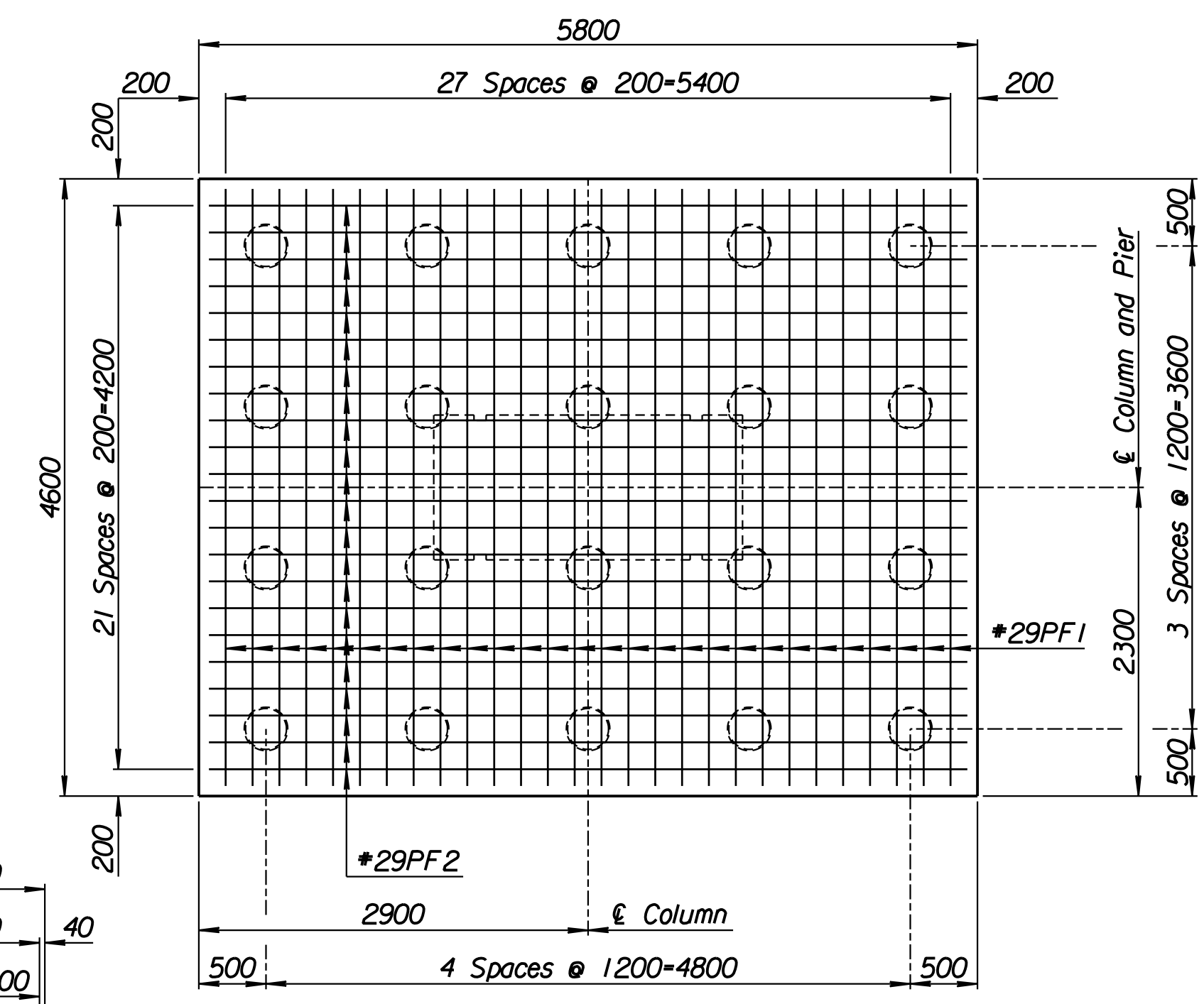
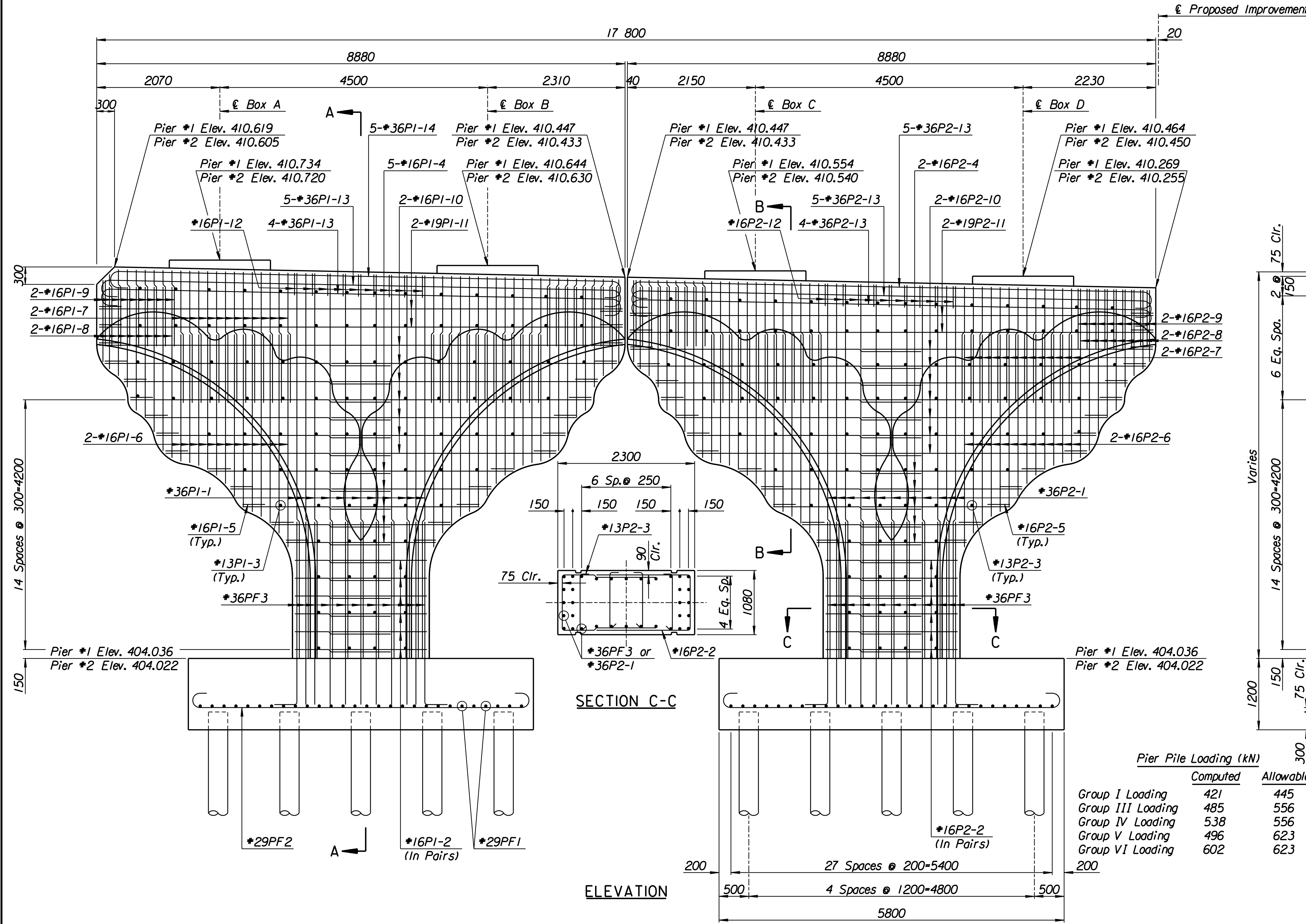


PLAN

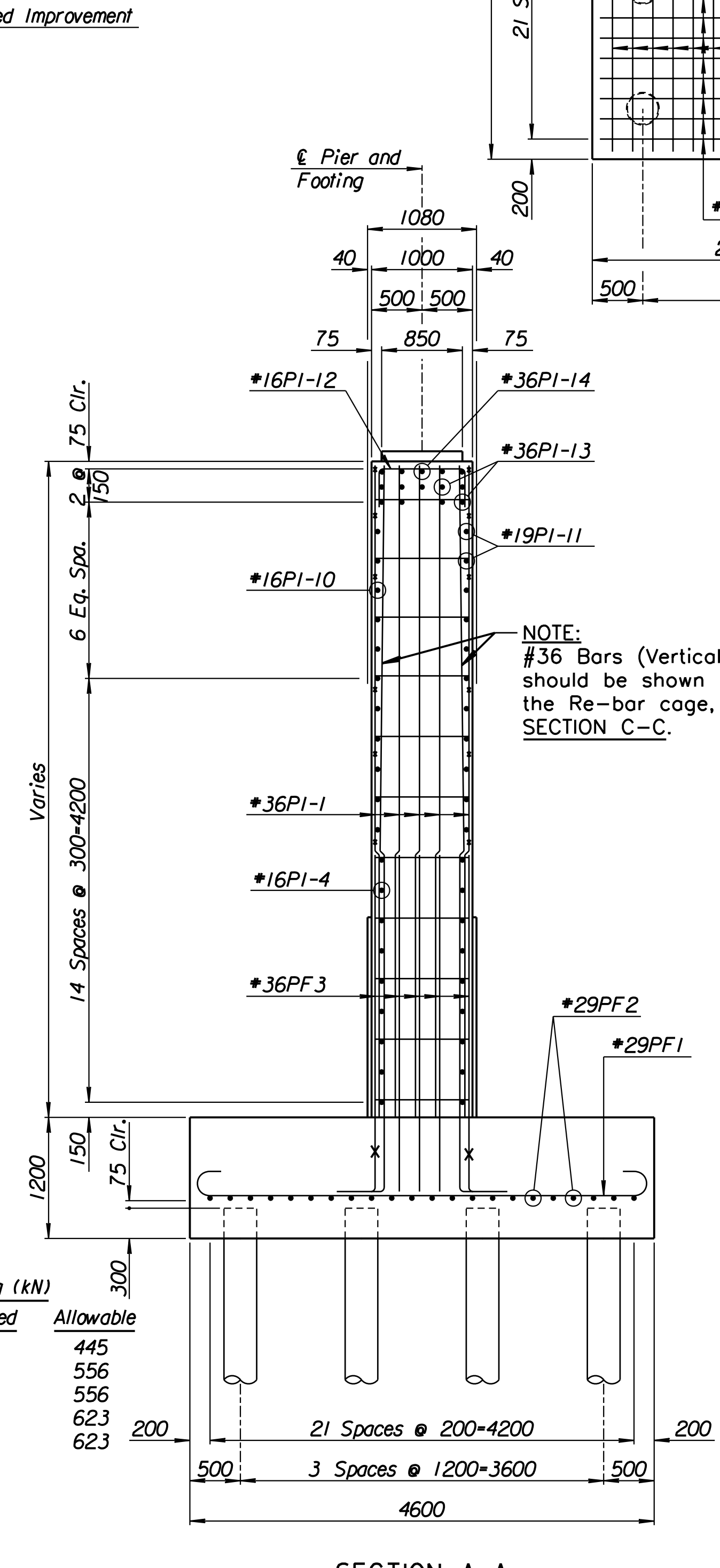


FOOTING PLAN

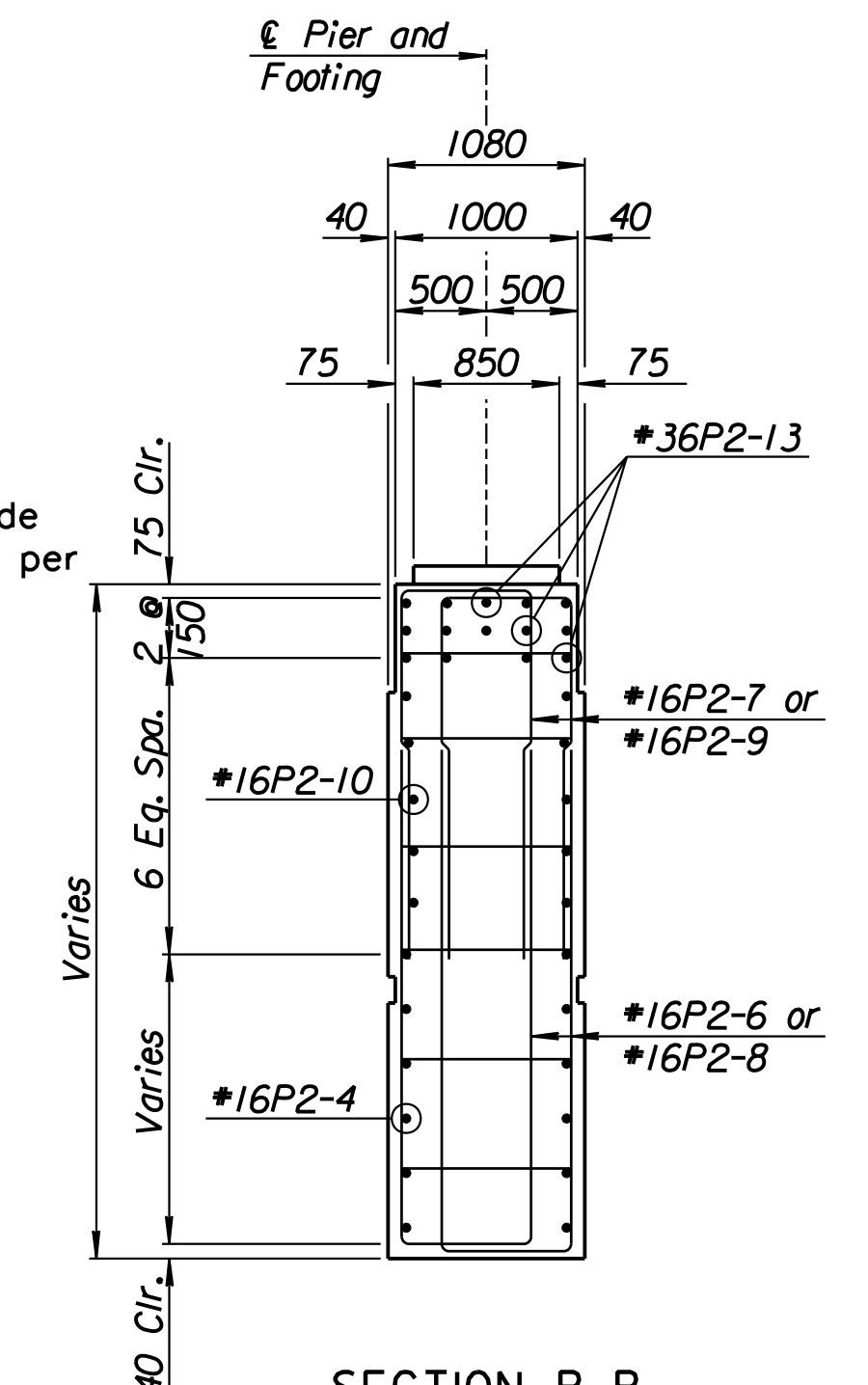


SECTION C-C

ELEVATION



SECTION A-A



SECTION B-B  
RECORD DRAWING

Pier Pile Loading (kN)	Computed		Allowable
	Group I Loading	Group III Loading	
Group I Loading	421	445	445
Group III Loading	485	556	556
Group IV Loading	538	556	556
Group V Loading	496	623	623
Group VI Loading	602	623	623

Drawn by: wil  
 Plotted by: gdr  
 1/1997/97362/As-Built/dgn/vol\_3/Sh 584-pier.dgn Last Rev: 9-6-07 By: gdr

1		Revisions		By	Date
CITY OF WICHITA					
BR. NO. 54-87-20.13 (496) W.B.			STA. 17+332.607		
<b>PIER DETAILS</b> KELLOGG (US-54) OVER TYLER ROAD SEDGWICK COUNTY					
<b>Professional Engineering Consultants, P.A.</b> 303 S. TOPEKA • WICHITA, KANSAS 67202 316-262-2691 • FAX 316-262-3003					
Designed by	P.D.F.	Checked by	R.A.S.		
Drawn by	W.L.L.	Date	April 11, 2002	Job No.	97362