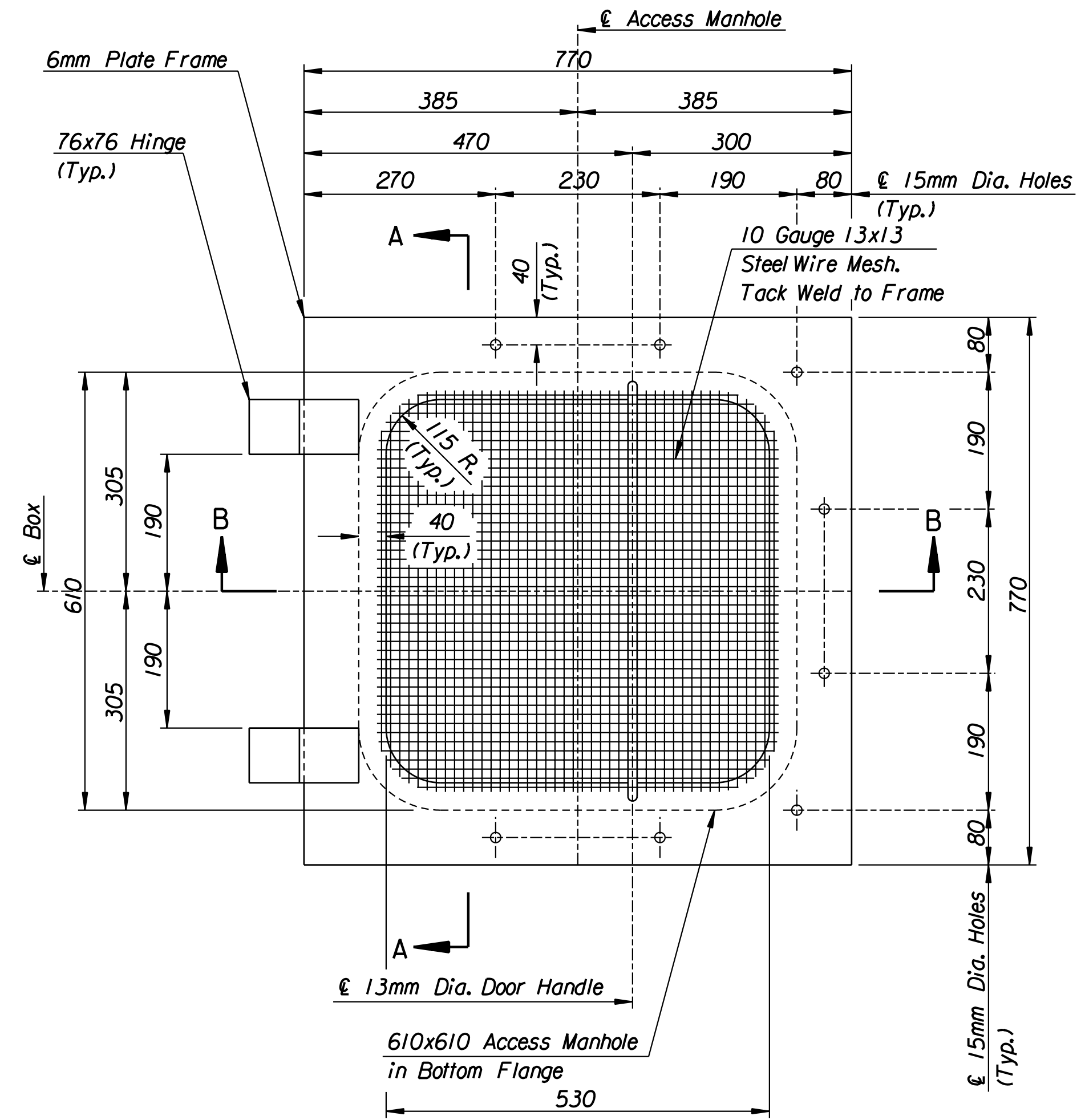
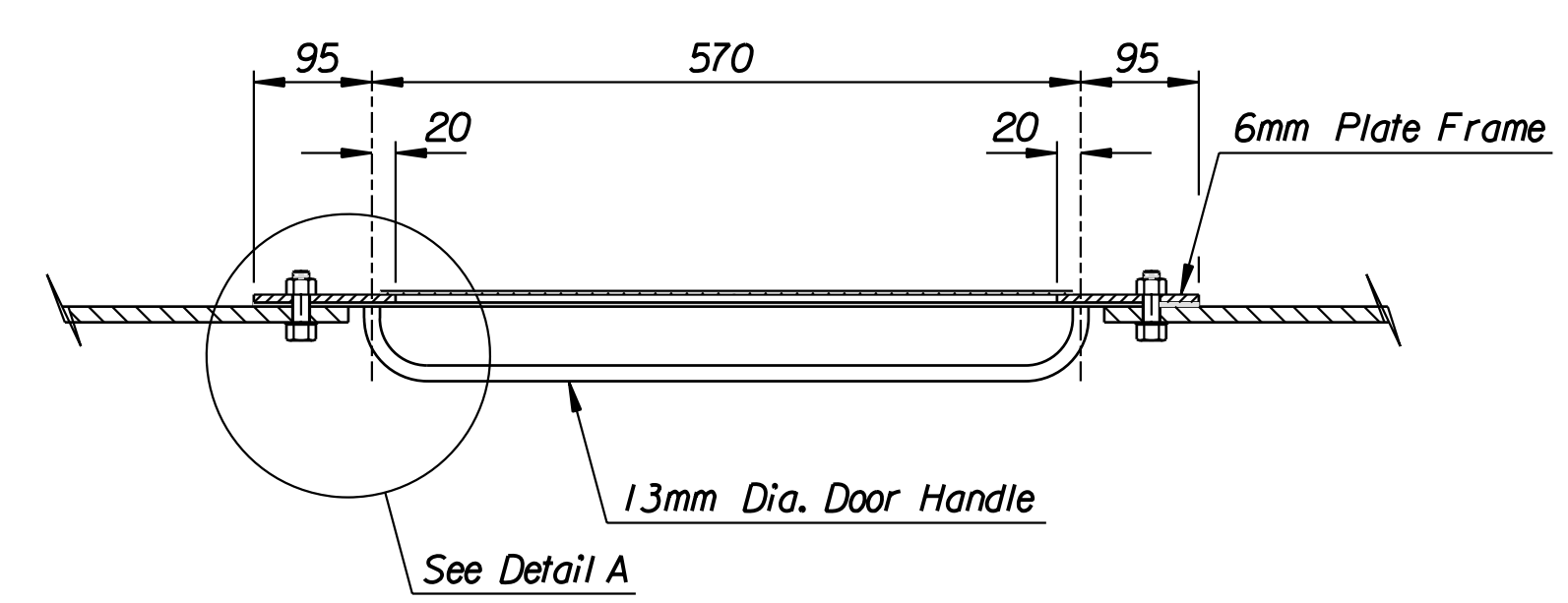


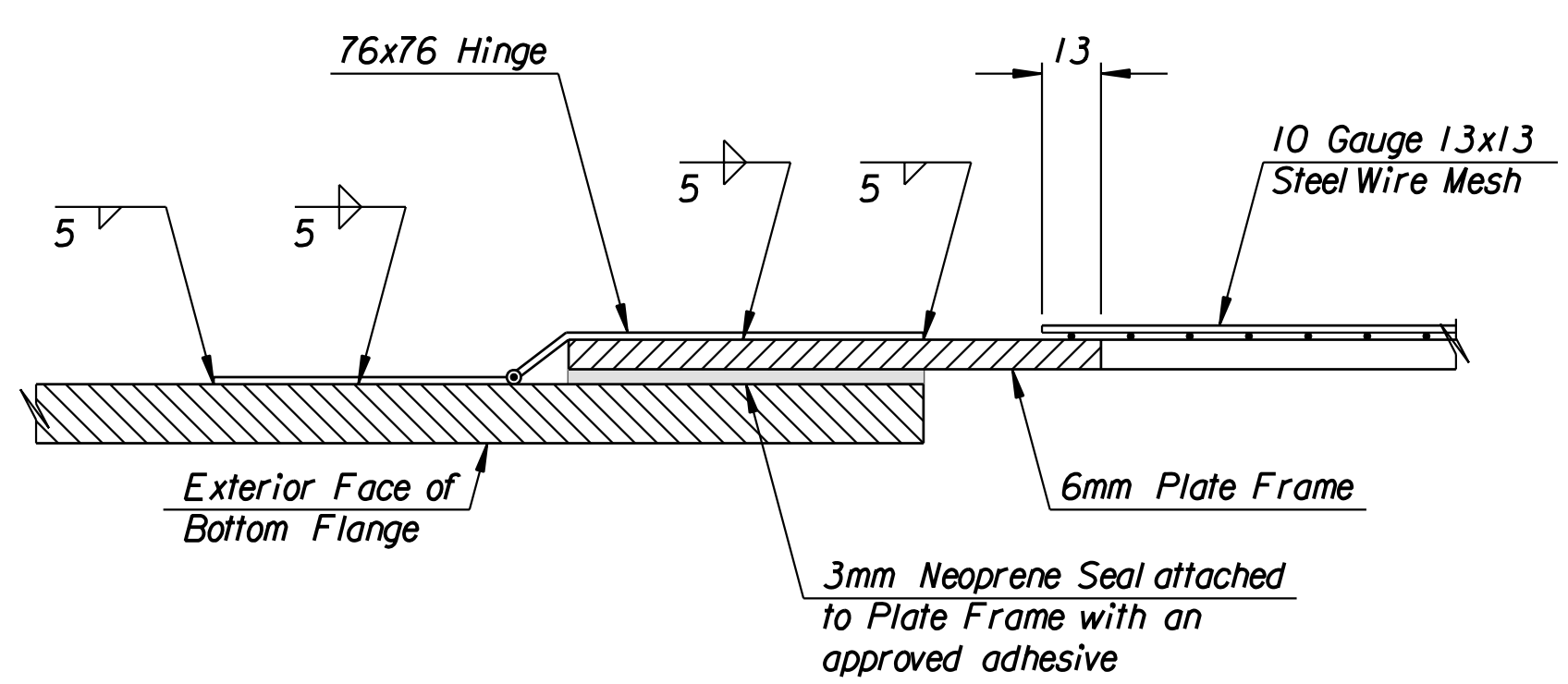
STATE	PROJECT NO.	YEAR	SHEET NO.	TOTAL SHEETS
KANSAS	54-87 K-6657-01	2002	592	1122



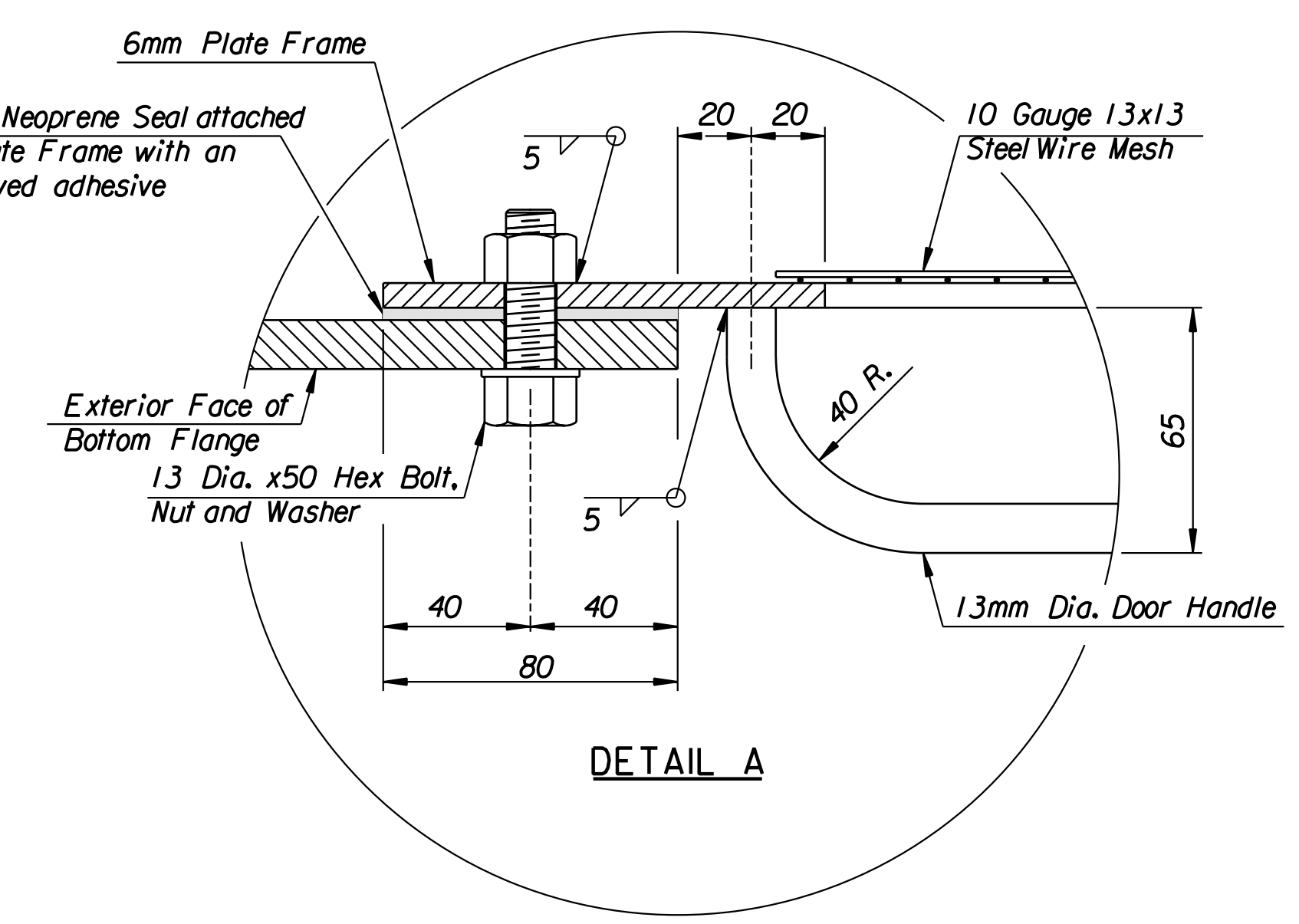
ACCESS MANHOLE DOOR PLAN



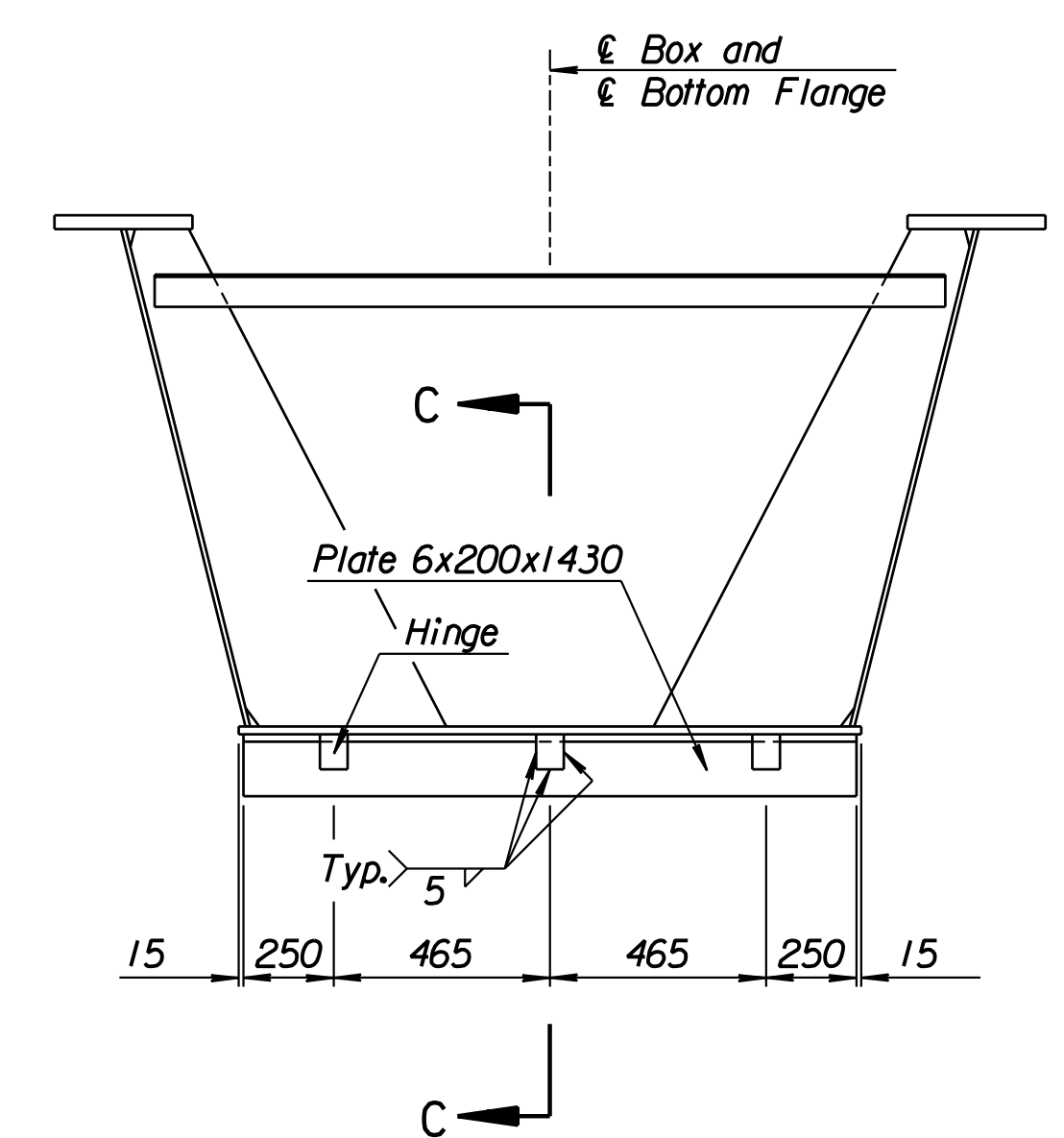
SECTION A-A



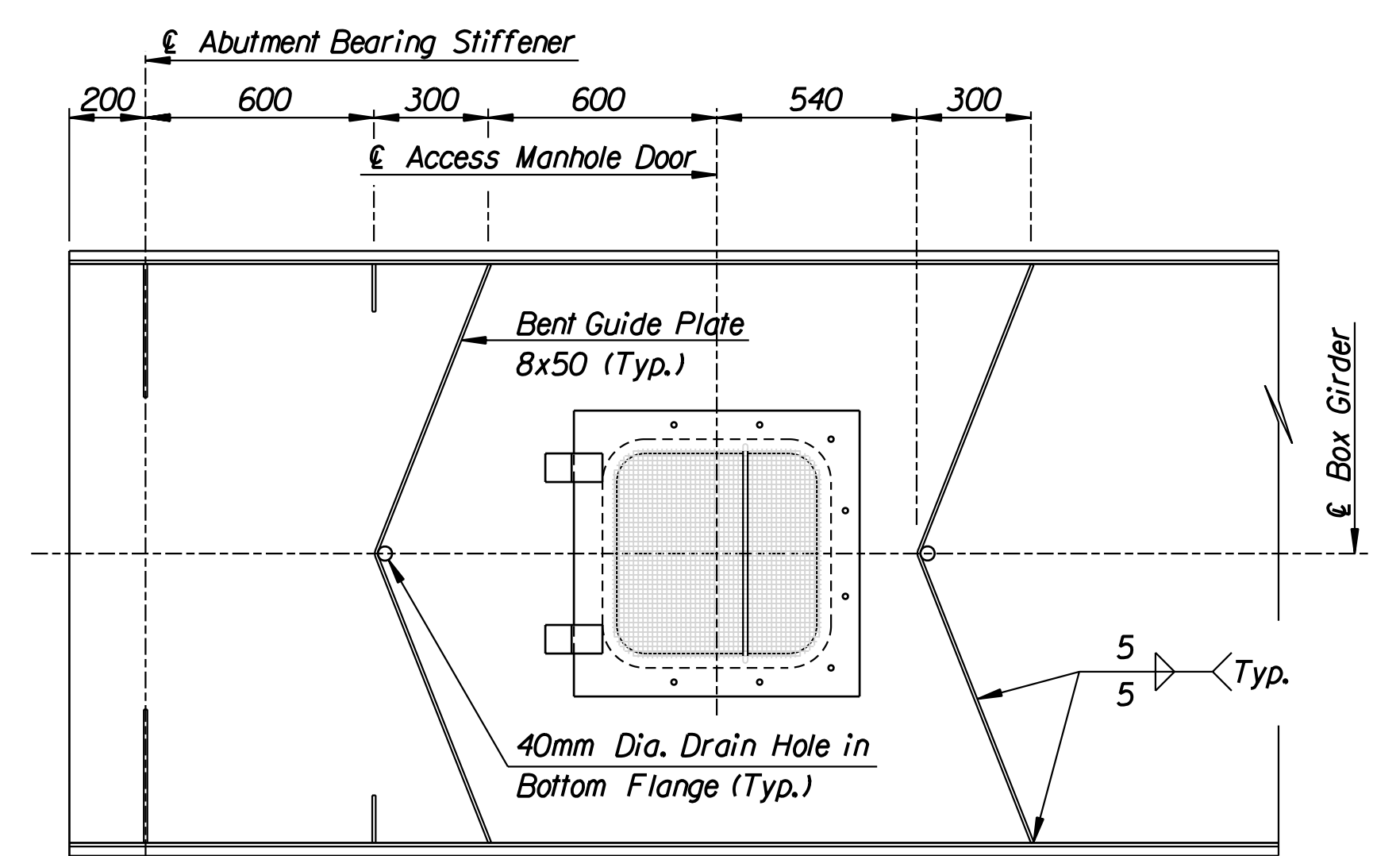
SECTION B-B



DETAIL A

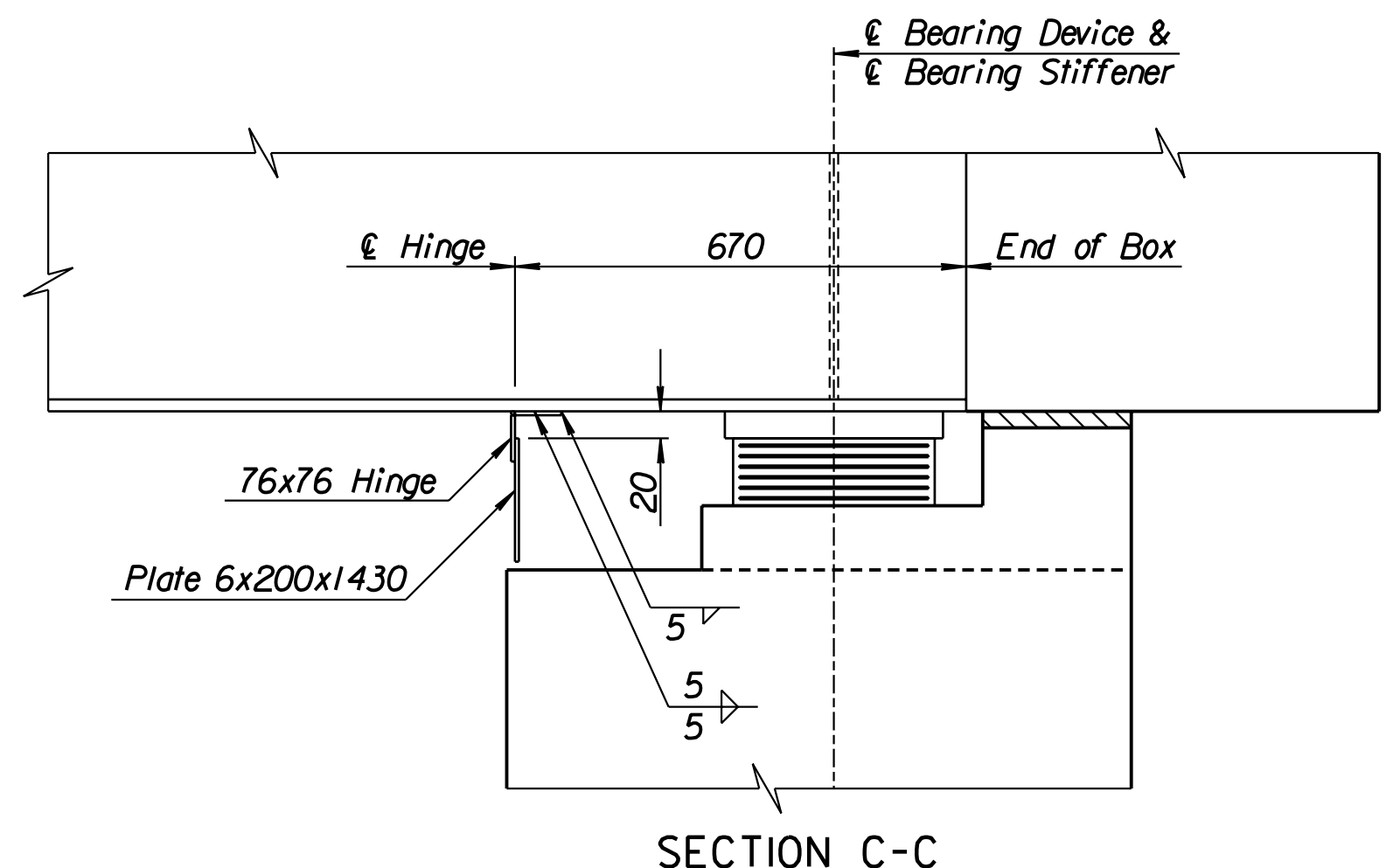


HINGED PLATE ELEVATION



BOTTOM FLANGE AT END OF BOX

Note:  
Drain Holes and Guide Plates are Required at each end of each Box.



SECTION C-C

Note:  
The Access Door, Plate Frame and the Hinged Plate below the Girders shall be A709M (Grade 250) Steel and paid for under "Structural Steel, A709M (Gr. 250)". Hinges, Door Handle, Steel Wire Mesh, Neoprene Seal, Hex Bolts, Nuts and Washers shall be subsidiary to "Structural Steel, A709M (Gr. 250)".

Drawn by: wil  
Plotted by: gdr  
1/1997/97362/As-Built/dgn/s/Vol\_3/Sh\_592-akcsdoor.dgn Last Rev: 9-6-07 By: gdr

RECORD DRAWING

1			
No.	Revisions	By	Date
CITY OF WICHITA			
BR. NO. 54-87-20.13 (496) W.B.		STA. 17+332.607	
BR. NO. 54-87-20.12 (497) E.B.		STA. 17+332.607	
<b>ACCESS DOOR DETAILS</b>			
KELLOGG (US-54)			
OVER TYLER ROAD			
SEDGWICK COUNTY			
<b>Professional Engineering Consultants, P.A.</b>			
303 S. TOPEKA • WICHITA, KANSAS 67202			
316-262-2691 • FAX 316-262-3003			
Designed by	P.D.F.	Checked by	R.A.S.
Drawn by	W.L.L.	Date	April 2002
		Job No.	97362