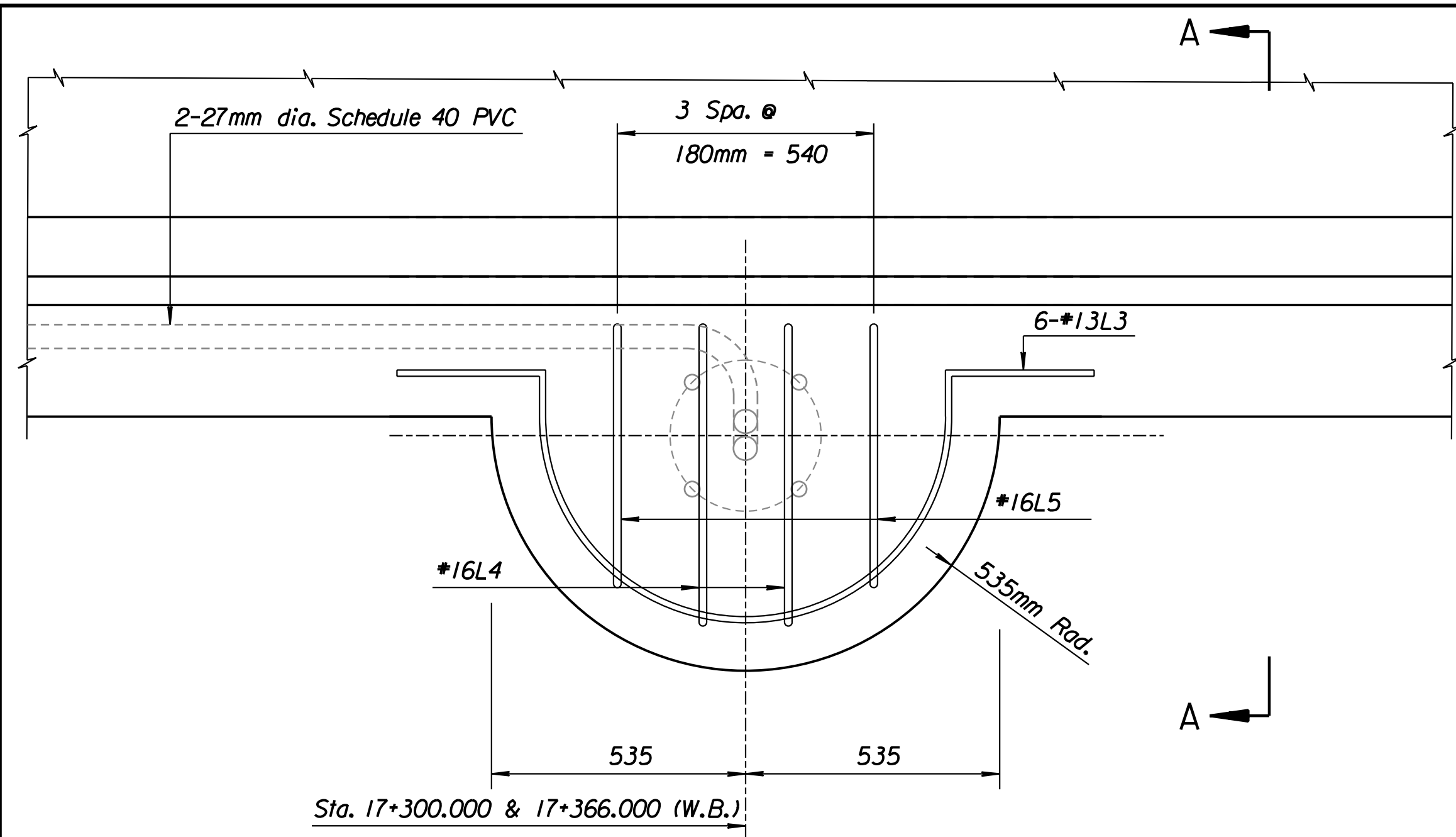
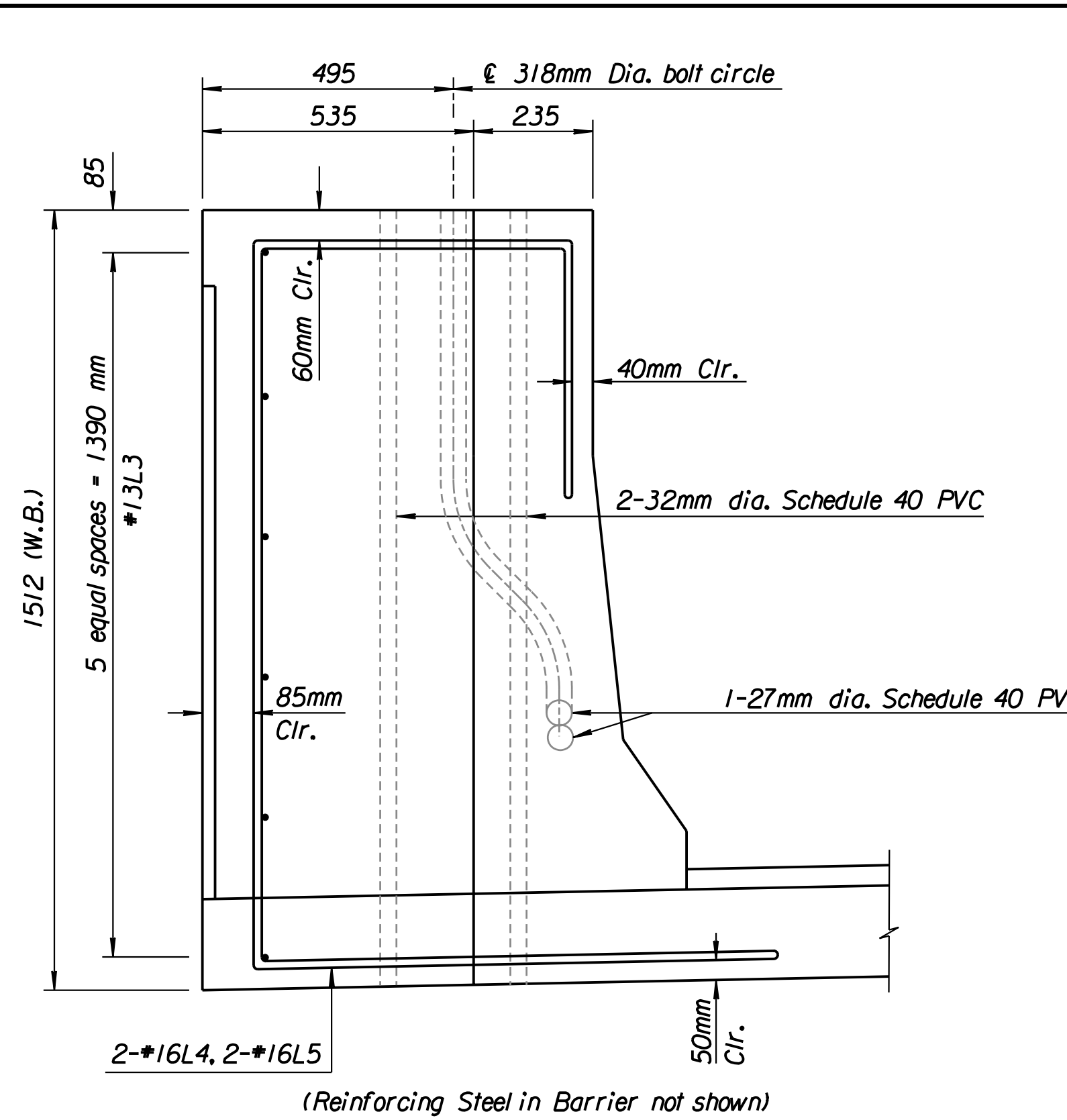


STATE	PROJECT NO.	YEAR	SHEET NO.	TOTAL SHEETS
KANSAS	54-87 K-6657-01	2002	602	1122



PLAN

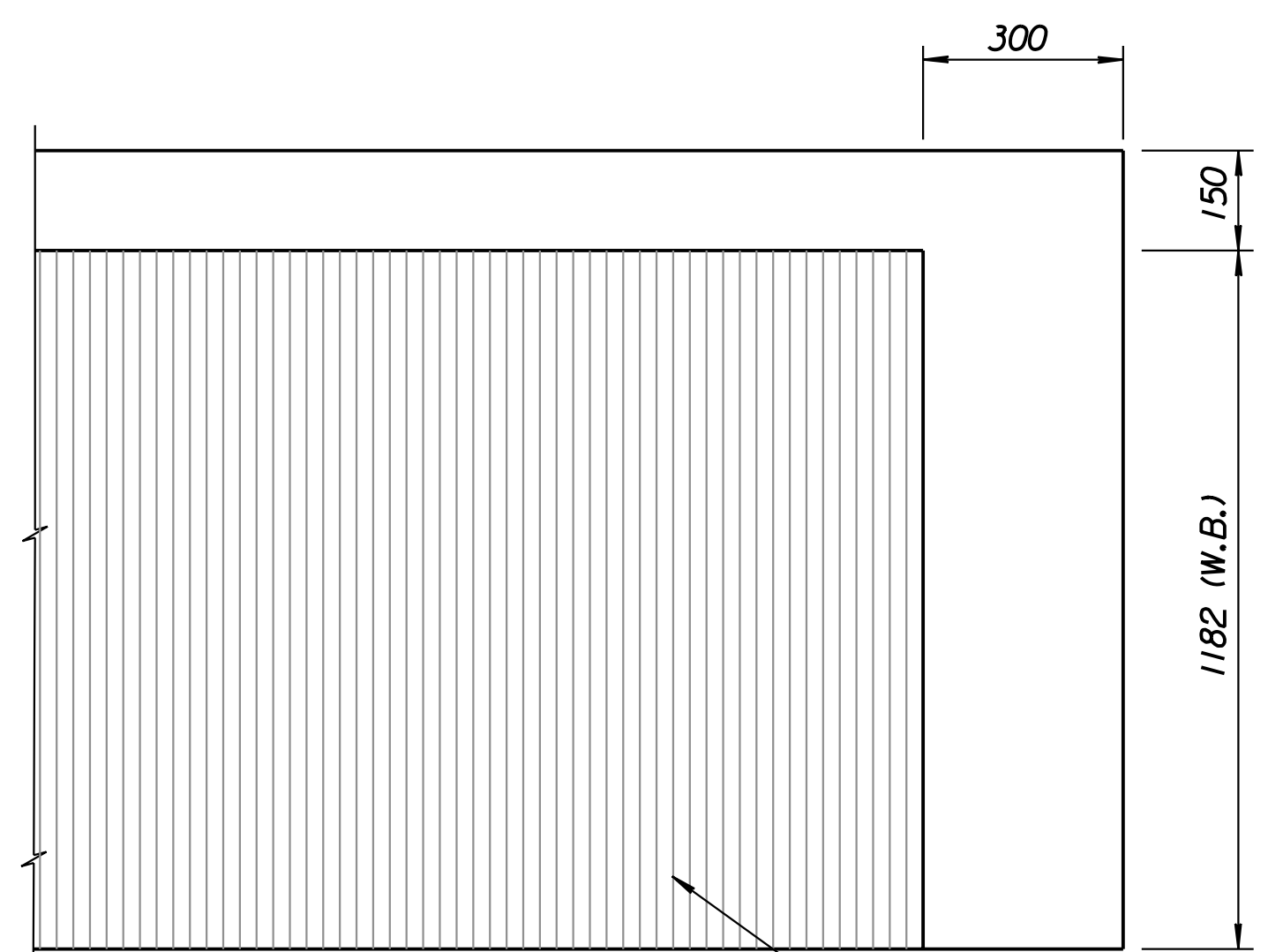


SECTION A-A

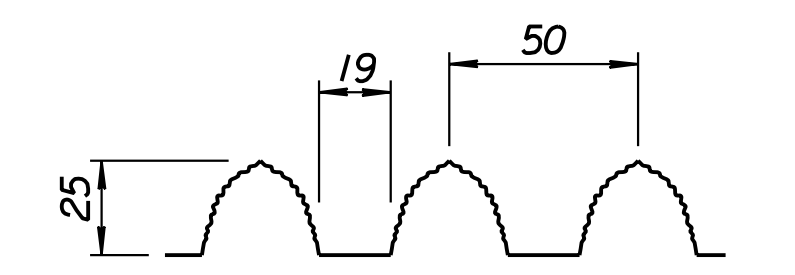


SECTION

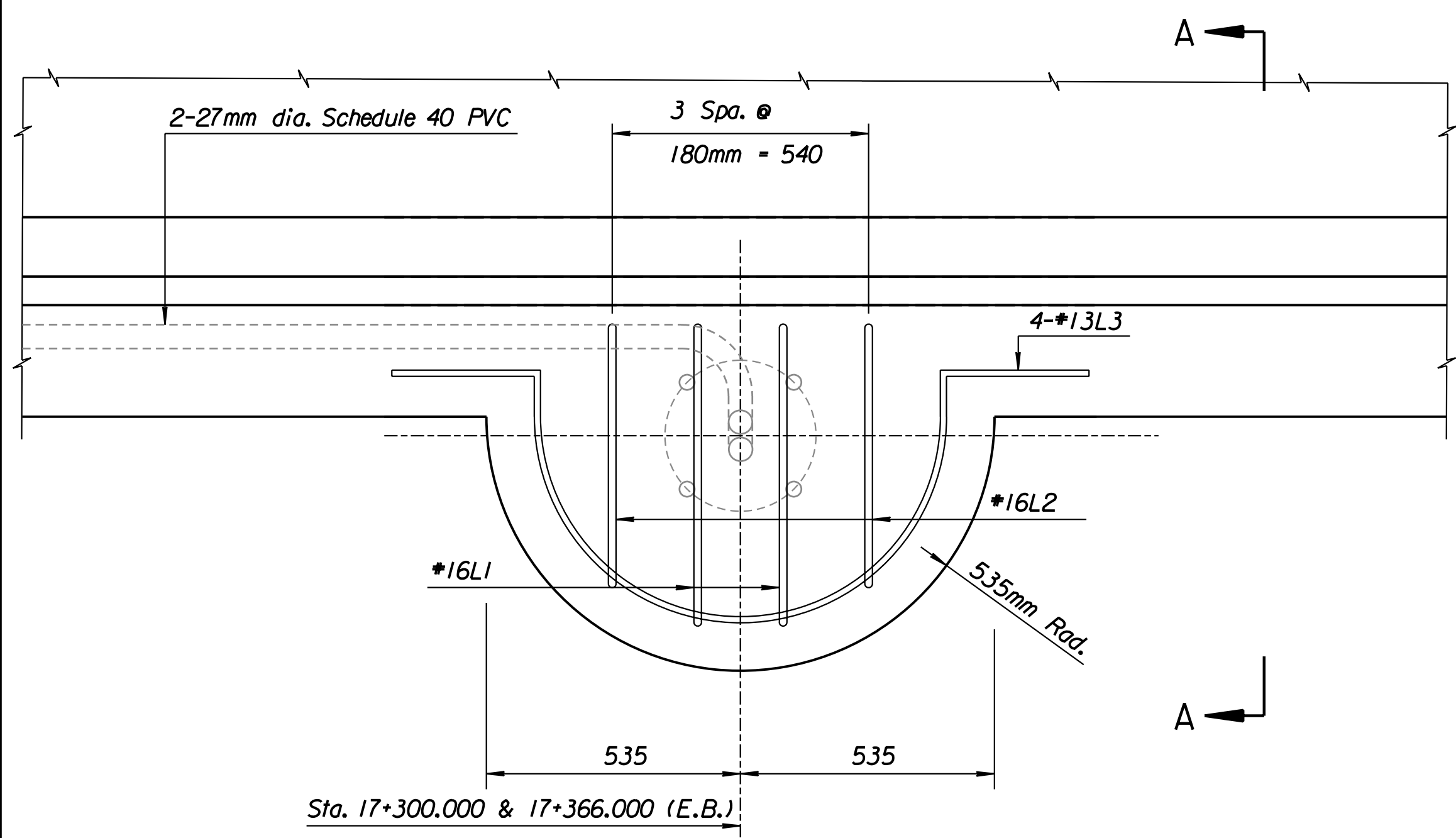
RUSTICATION DETAIL



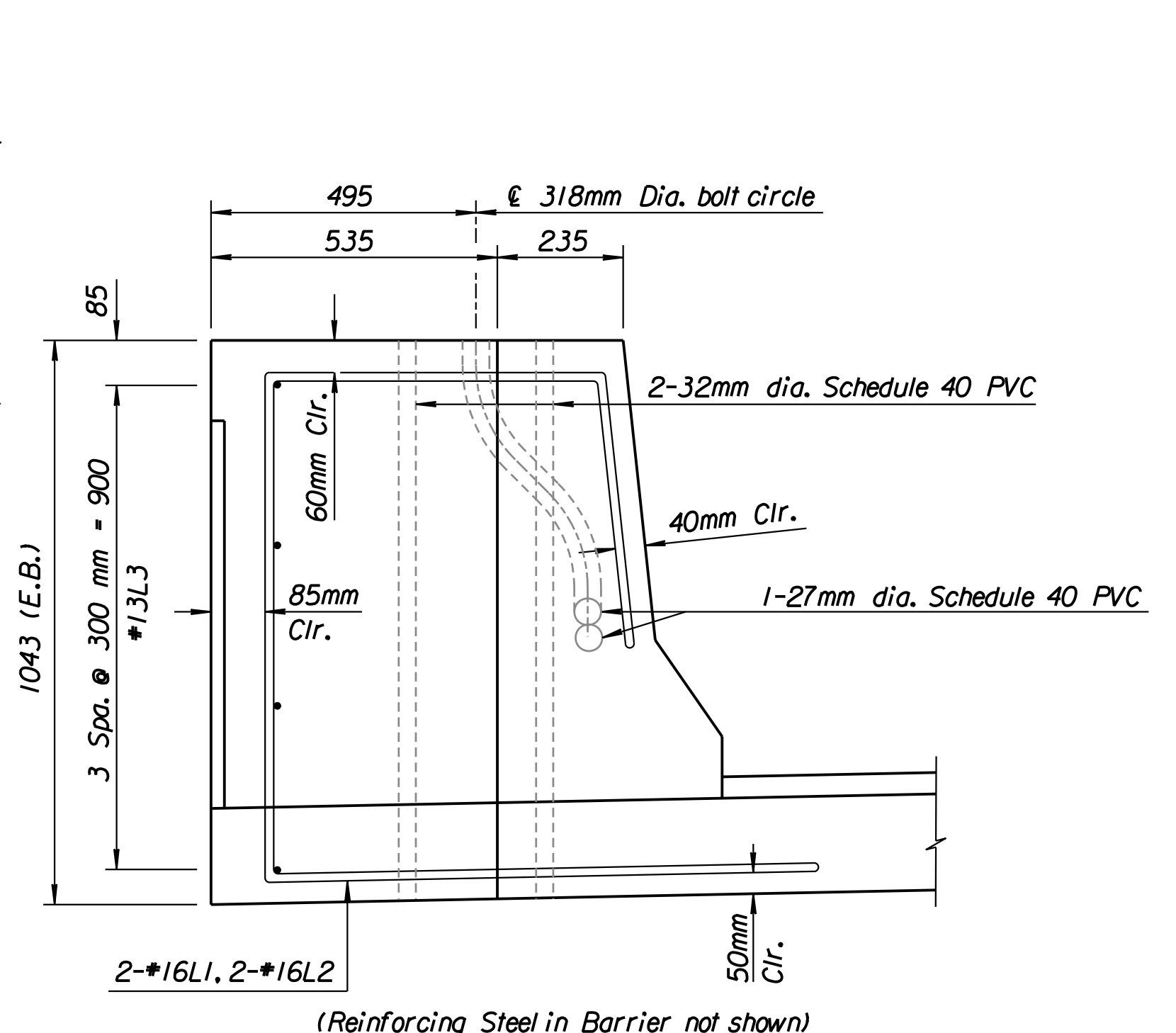
ELEVATION



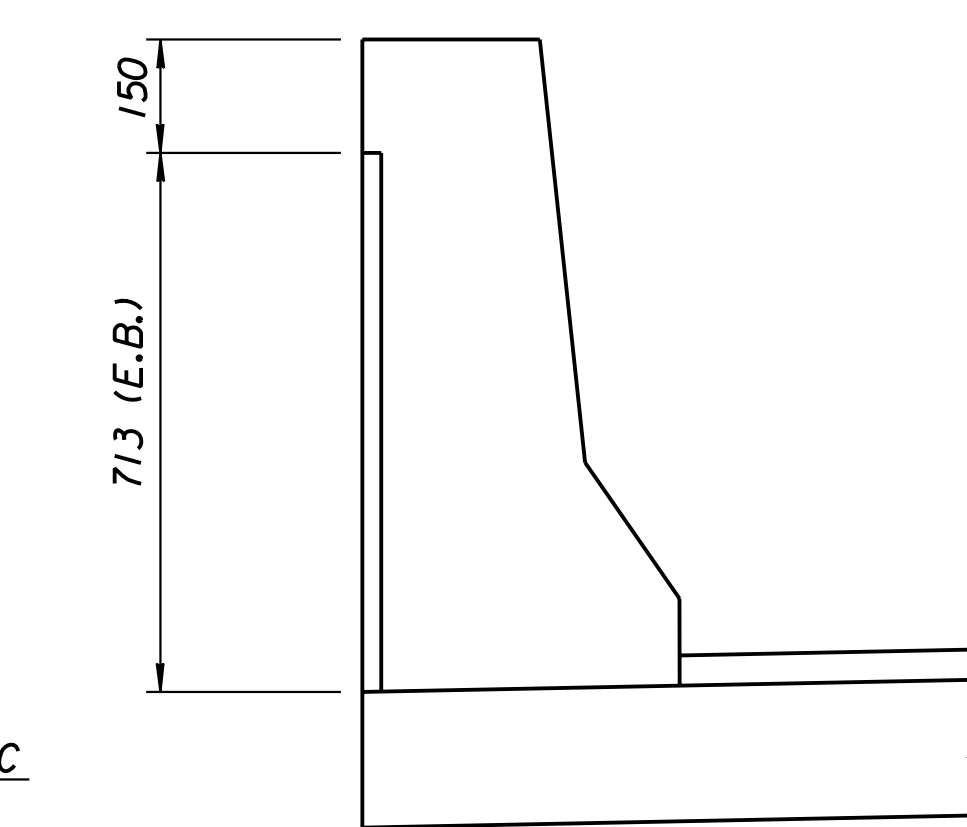
Typical Texture
(*109 Fractured Fin by Scott System, Inc.)



PLAN

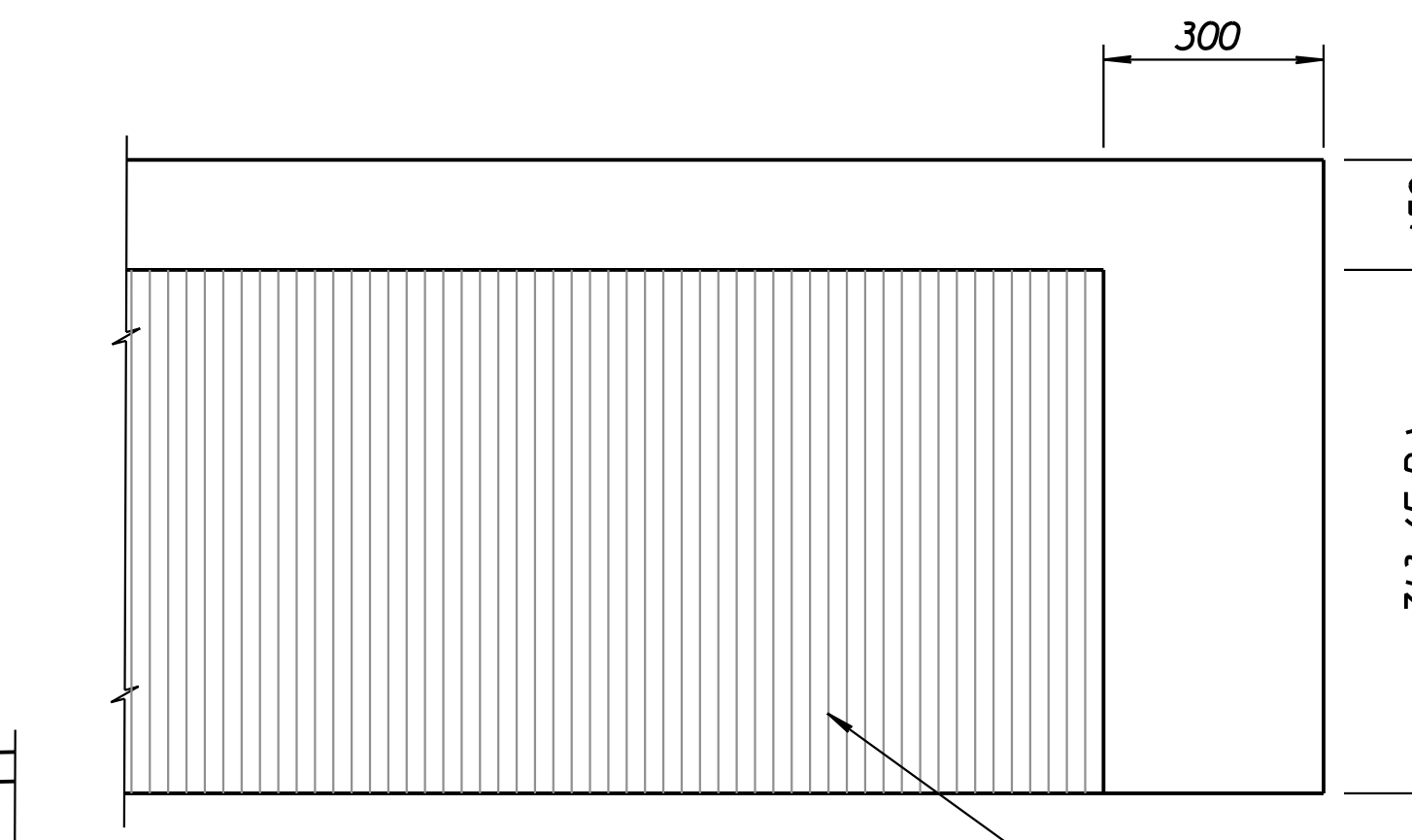


SECTION A-A



SECTION

RUSTICATION DETAIL



ELEVATION

Drawn by: ras
 Plotted by: gdr
 Date: 11/19/97 15:36Z / As-Built/dgn/s/Vol. 3/Sh 602-lightsupdgn Last Rev: 9-7-07 By: gdr

Revisions				By	Date
CITY OF WICHITA					
BR. NO. 54-87-20.13 (496) W.B.			STA. 17+332.607		
BR. NO. 54-87-20.12 (497) E.B.			STA. 17+332.607		
MISCELLANEOUS BARRIER DETAIL					
KELLOGG (US-54) OVER TYLER ROAD					
SEDGWICK COUNTY					
Professional Engineering Consultants, P.A.					
303 S. TOPEKA • WICHITA, KANSAS 67202					
316-262-2691 • FAX 316-262-3003					
Designed by	RAS	Checked by	RAS		
Drawn by	BJS	Date	April, 2002	Job No.	97362

RECORD DRAWING