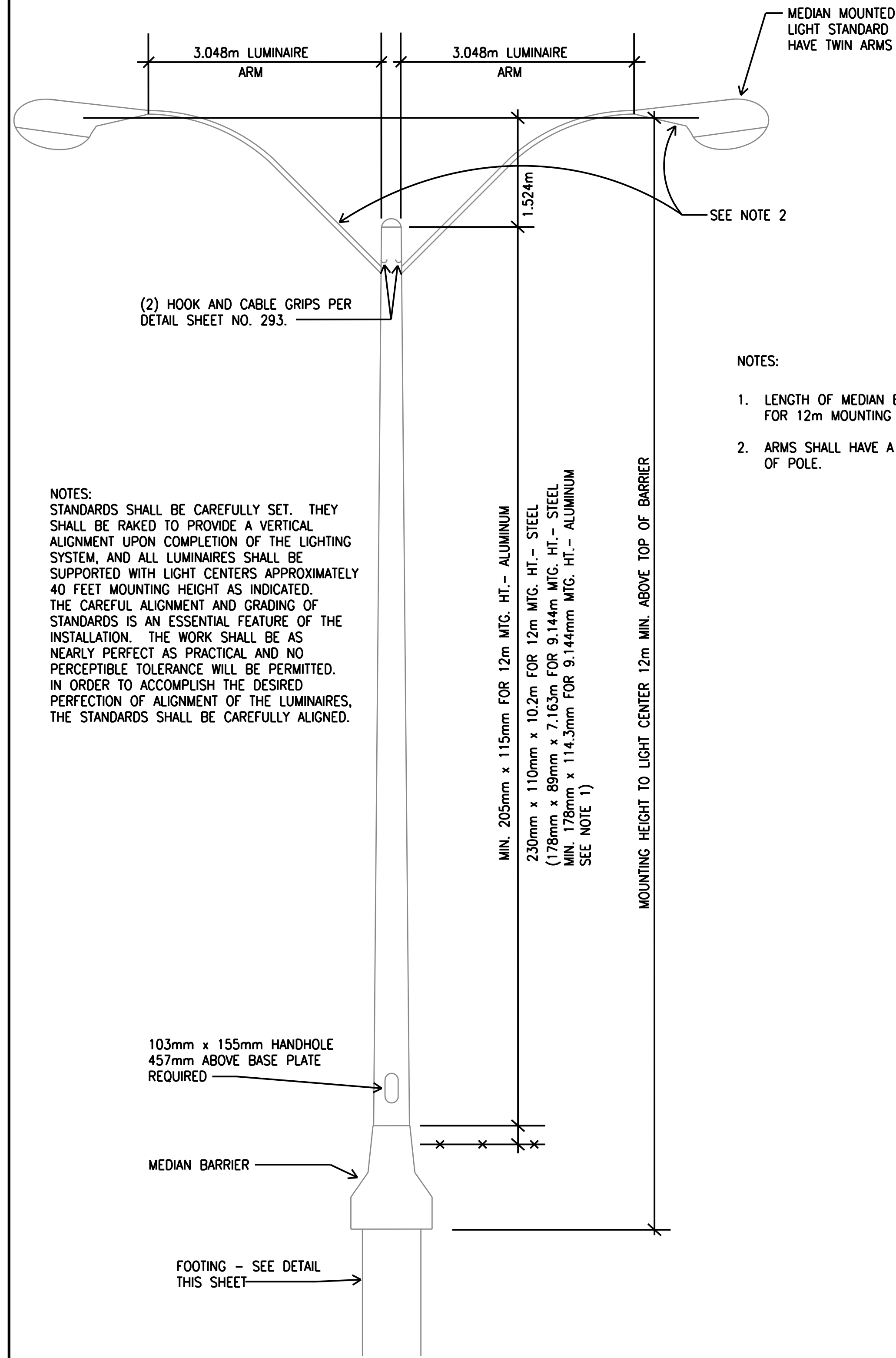


FHWA REGION NO.	STATE	PROJECT NO.	YEAR	SHEET NO.	TOTAL SHEETS
7	KANSAS	54-87 K-6657-01	2002	652	1122

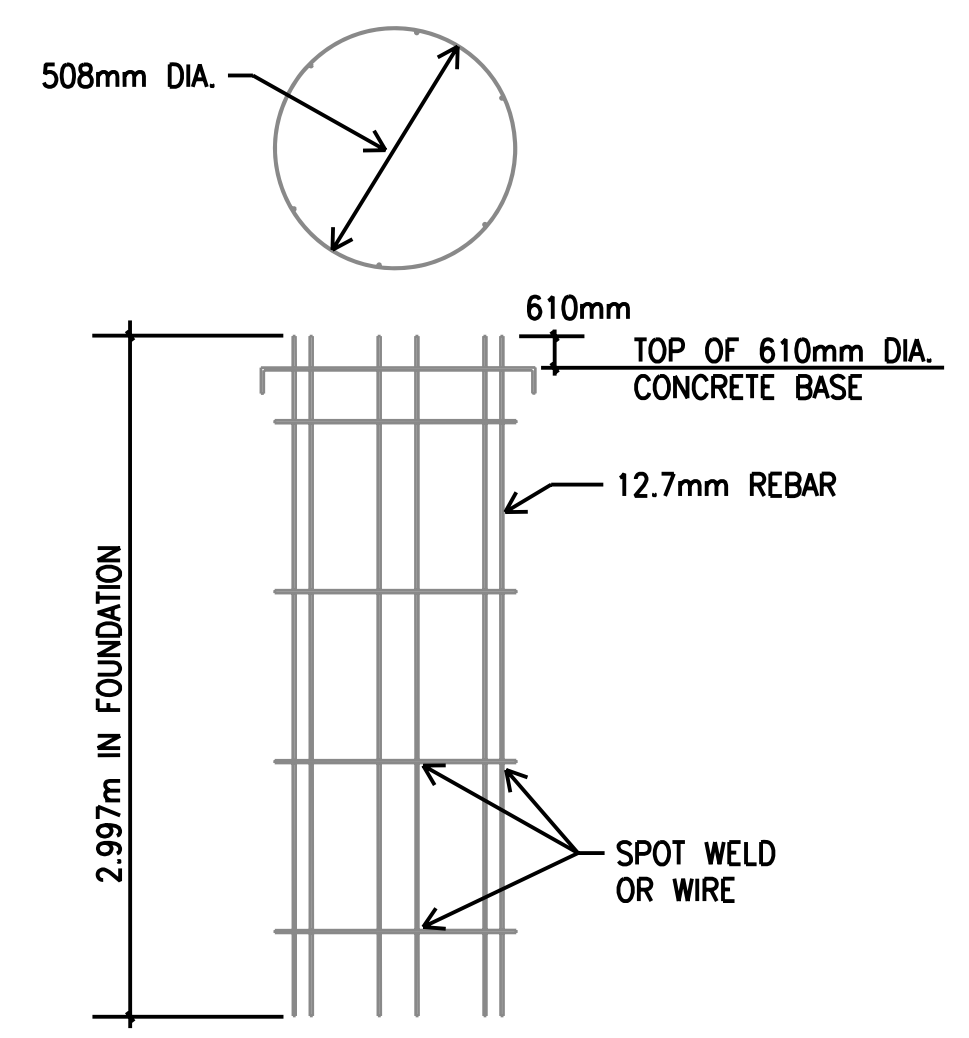
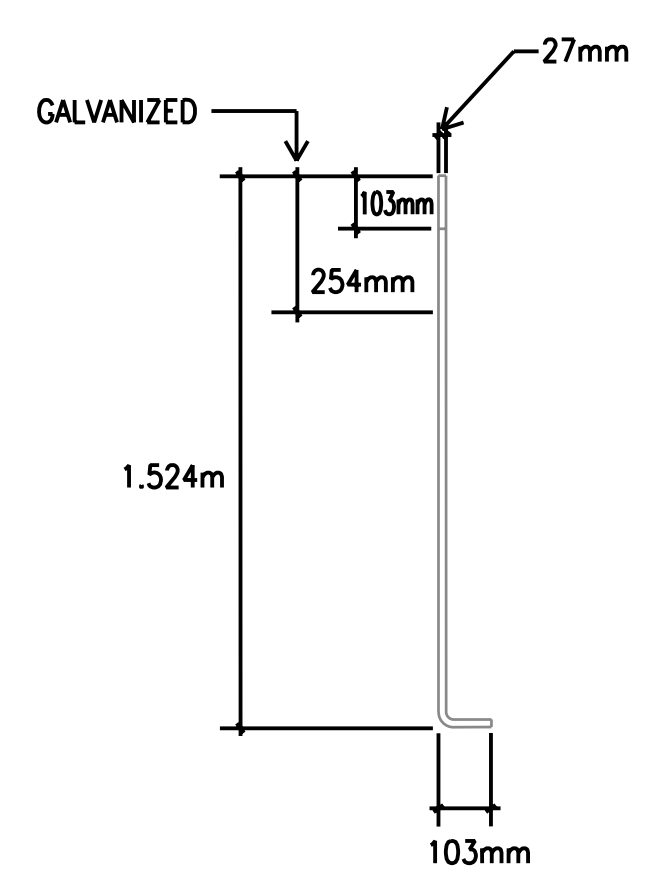
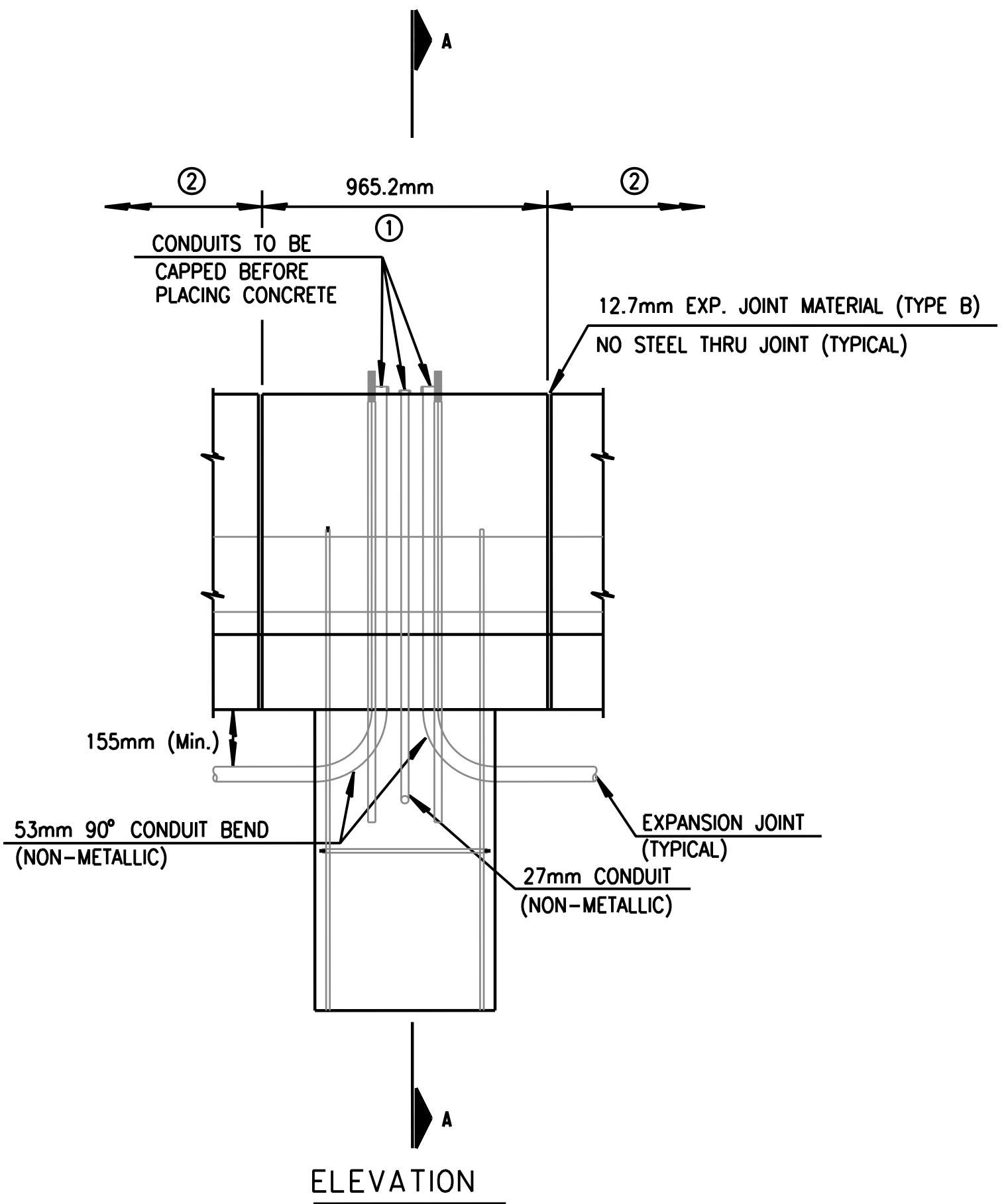
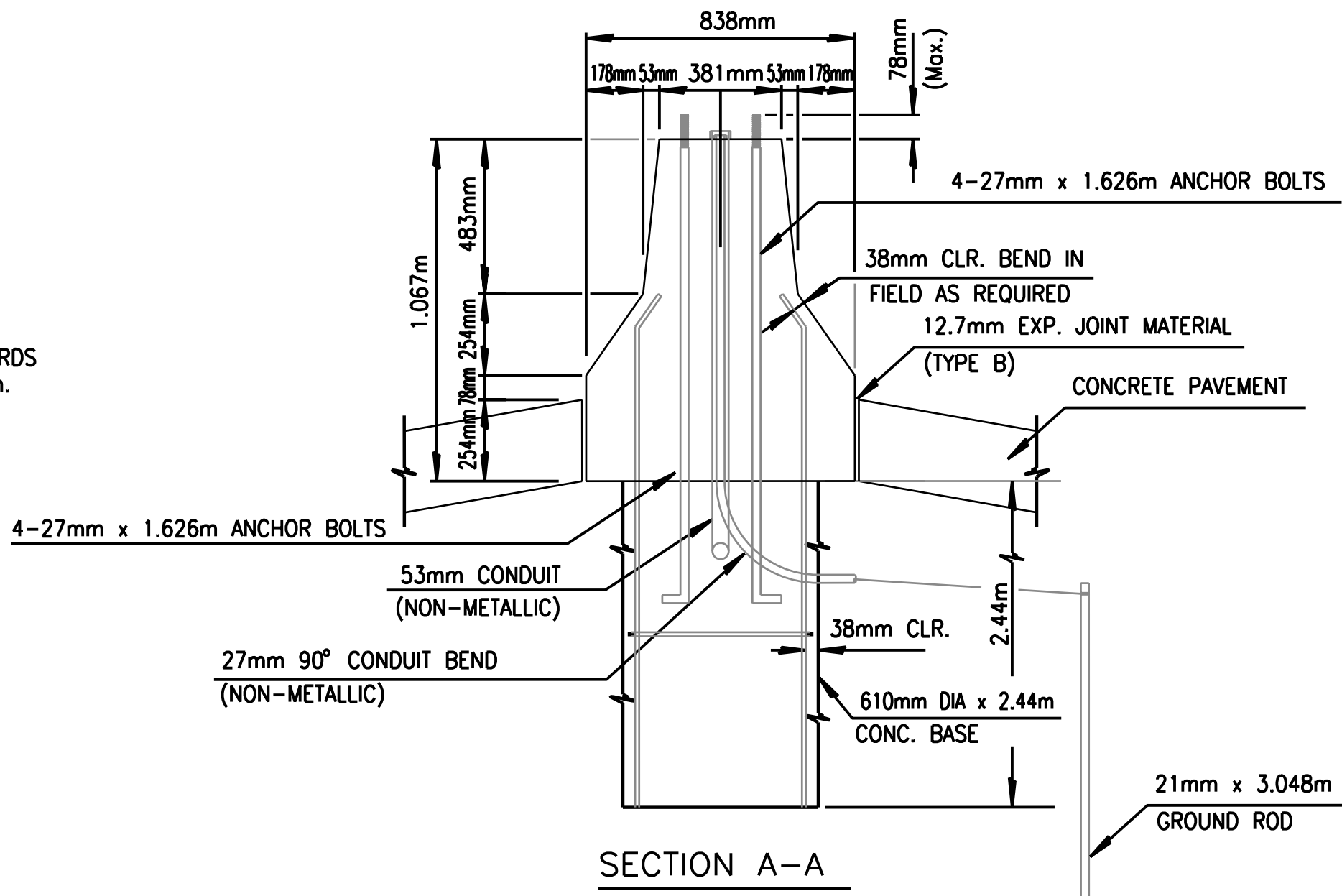
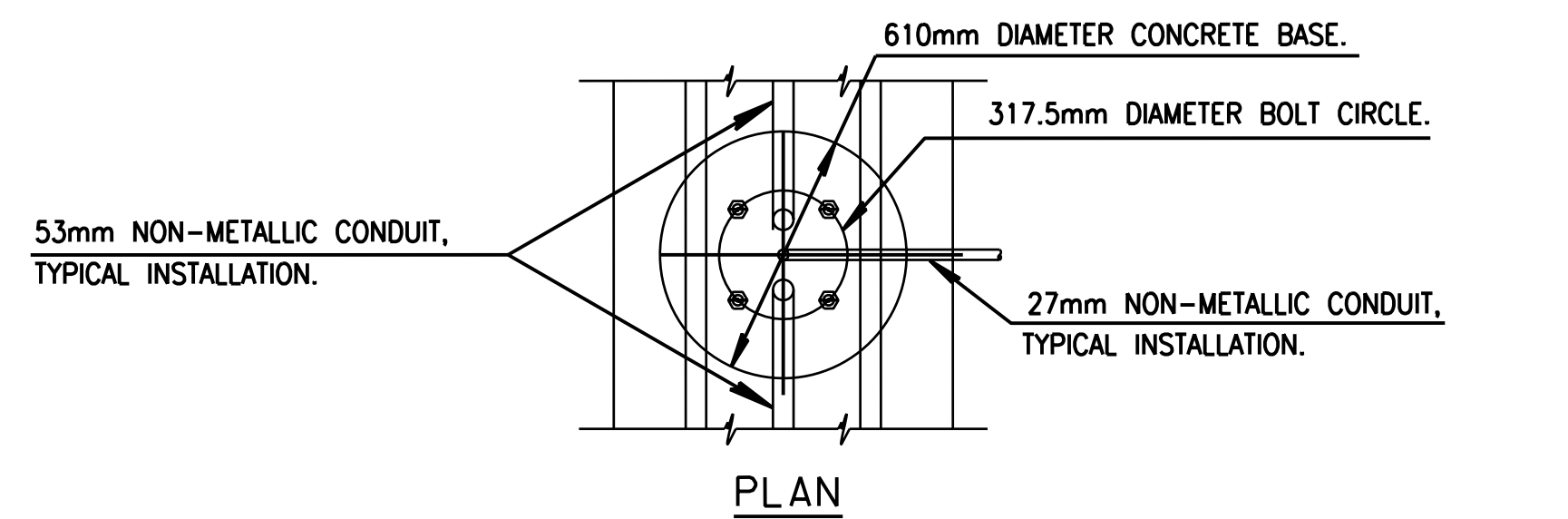
GROUNDING NOTE:
 LIGHT STANDARDS SHALL BE GROUNDED BY MEANS OF A NO.6 AWG SOLID BARE COPPER GROUND WIRE BOLTED TO THE INSIDE OF THE LIGHT STANDARD SHAFT WITH A ONE-HALF INCH GROUNDING NUT. GROUND WIRE SHALL BE CONNECTED TO THE COPPERWELD GROUND ROD BY MEANS OF A GROUND ROD CLAMP.

DATE	
BY	
REFERENCES NOTED	
REFERENCES CHECKED	



NOTES:
 STANDARDS SHALL BE CAREFULLY SET. THEY SHALL BE RAKED TO PROVIDE A VERTICAL ALIGNMENT UPON COMPLETION OF THE LIGHTING SYSTEM, AND ALL LUMINAIRES SHALL BE SUPPORTED WITH LIGHT CENTERS APPROXIMATELY 40 FEET MOUNTING HEIGHT AS INDICATED. THE CAREFUL ALIGNMENT AND GRADING OF STANDARDS IS AN ESSENTIAL FEATURE OF THE INSTALLATION. THE WORK SHALL BE AS NEARLY PERFECT AS PRACTICAL AND NO PERCEPTIBLE TOLERANCE WILL BE PERMITTED. IN ORDER TO ACCOMPLISH THE DESIRED PERFECTION OF ALIGNMENT OF THE LUMINAIRES, THE STANDARDS SHALL BE CAREFULLY ALIGNED.

- NOTES:
- LENGTH OF MEDIAN BARRIER MOUNTED STANDARDS FOR 12m MOUNTING HEIGHT SHALL BE 9.754m.
 - ARMS SHALL HAVE A 1.524m RISE ABOVE TOP OF POLE.



- FOUNDATION FOR MEDIAN MOUNTED LIGHT STANDARD SHALL BE PAID FOR AS "CONCRETE BASE FOR LIGHT STANDARD (MEDIAN)".
- TO BE PAID FOR AS 610mm CONCRETE BASE FOR LIGHT STANDARD (MEDIAN).
 - TO BE PAID FOR AS CONCRETE SAFETY BARRIER.

DSNR: WAN OPER: WAN SCALE: 1:500
 12/1997/97362/As-Bulfrs/dgn's/Vol.3/Sh 652-WKA652.dgn Last Rev: 9-18-07 By: gdr

RECORD DRAWING

No.	Revisions	By	Date
CITY OF WICHITA			
ELECTRICAL LIGHTING DETAILS MEDIAN MOUNTED LIGHT STANDARD			
SEDGWICK COUNTY			
Professional Engineering Consultants, P.A. 303 S. TOPEKA • WICHITA, KANSAS 67202 316-262-2691 • FAX 316-262-3003			
Designed by	SMS	Checked by	SMS
Drawn by	WAN	Date	APRIL, 2002
		Job No.	97362