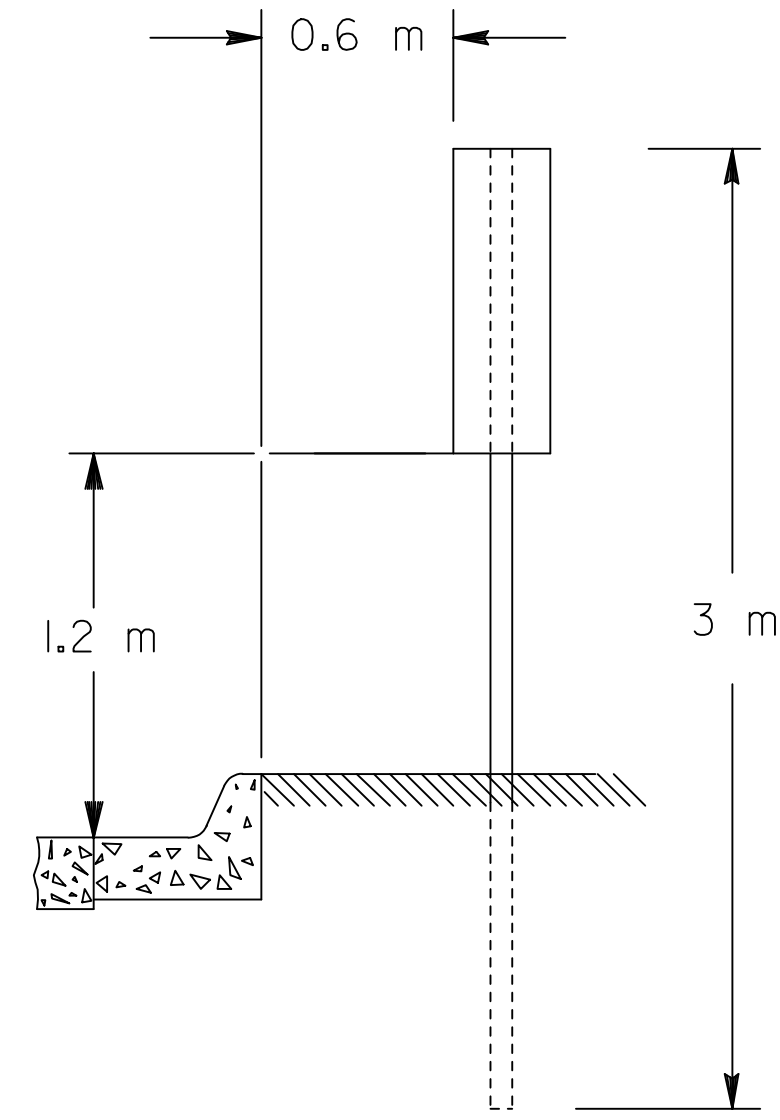
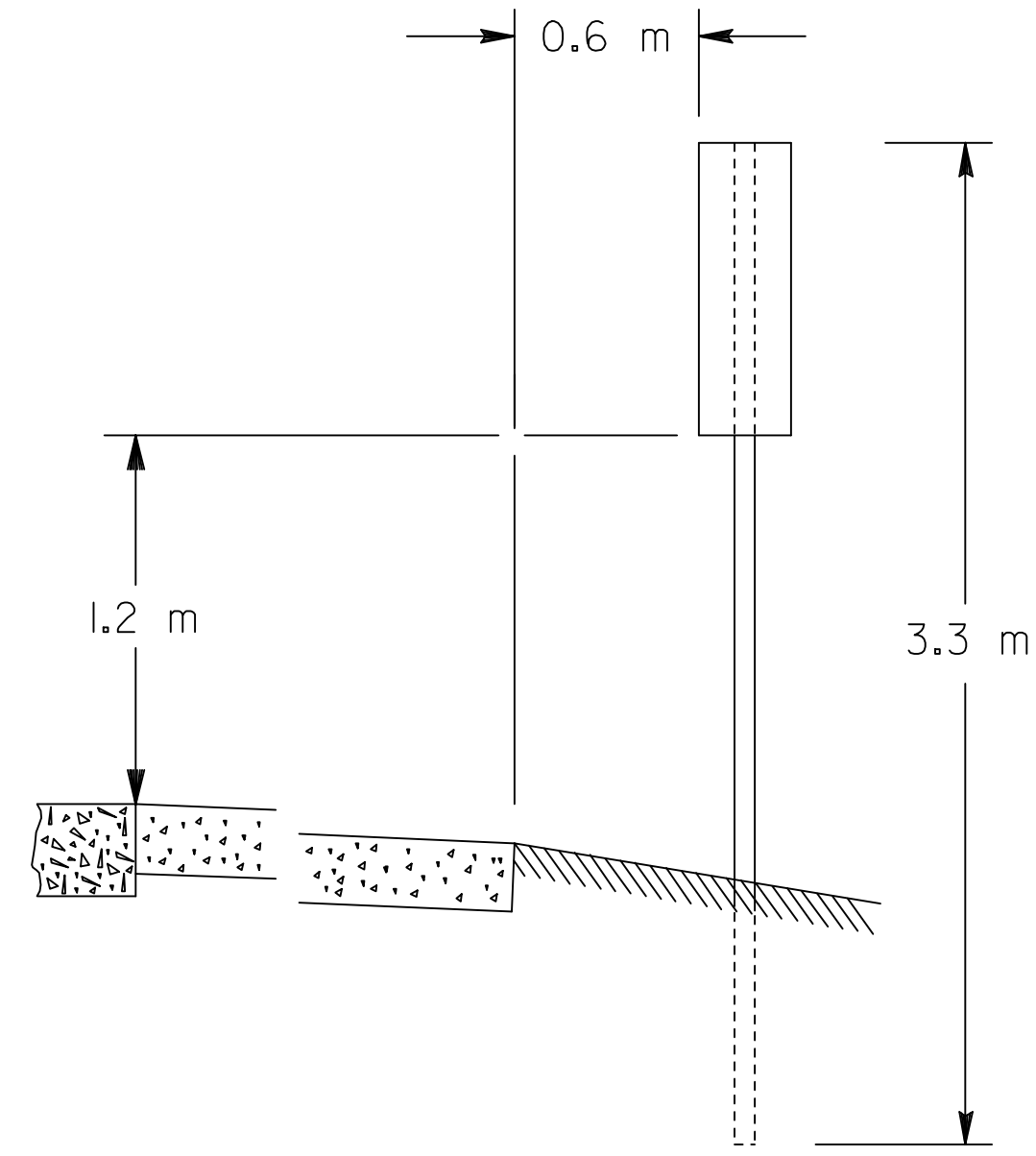


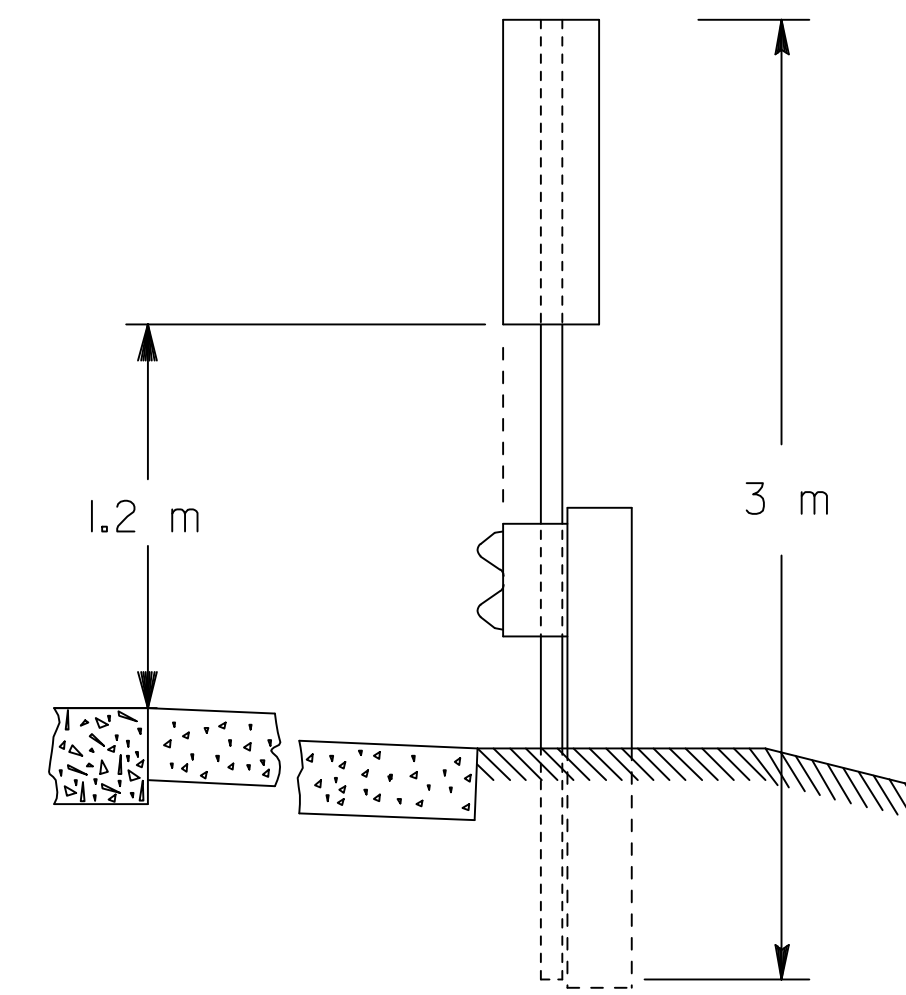
| FHWA REGION NO. | STATE  | PROJECT NO.     | YEAR | SHEET NO. | TOTAL SHEETS |
|-----------------|--------|-----------------|------|-----------|--------------|
| 7               | KANSAS | 54-87 K-6657-01 | 2002 | 674       | 1122         |



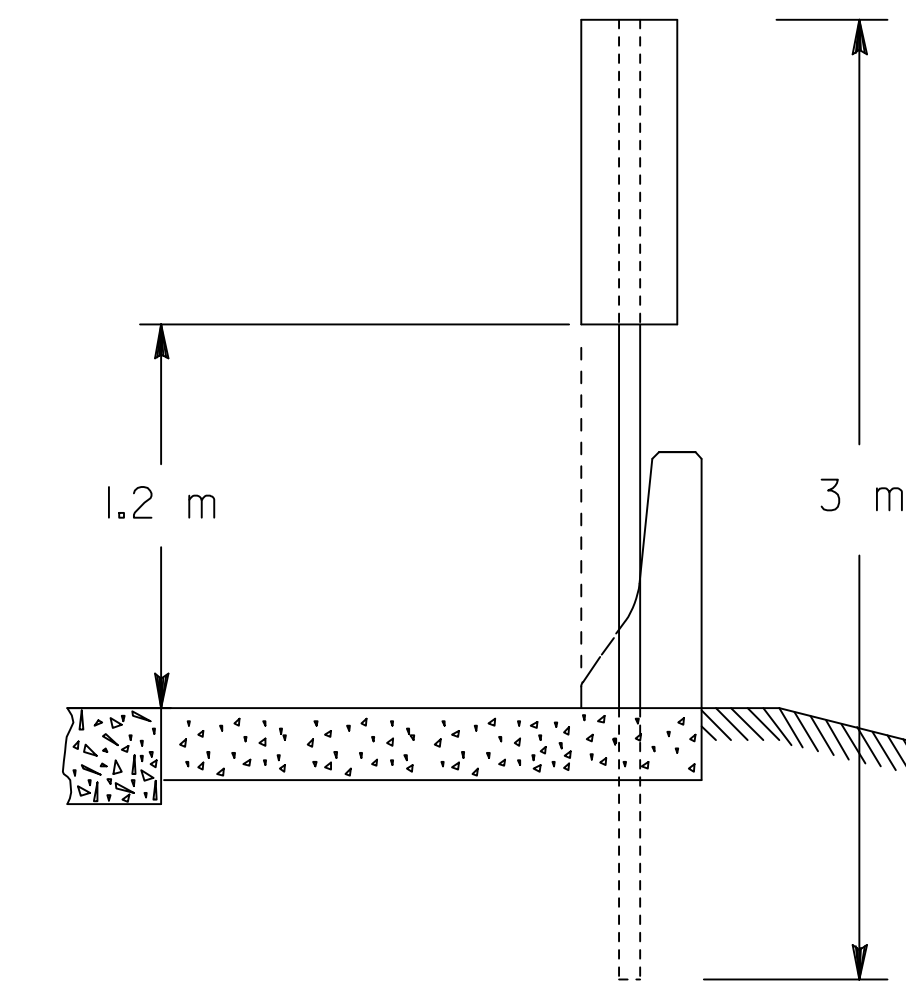
CURB SECTION



SHOULDER SECTION



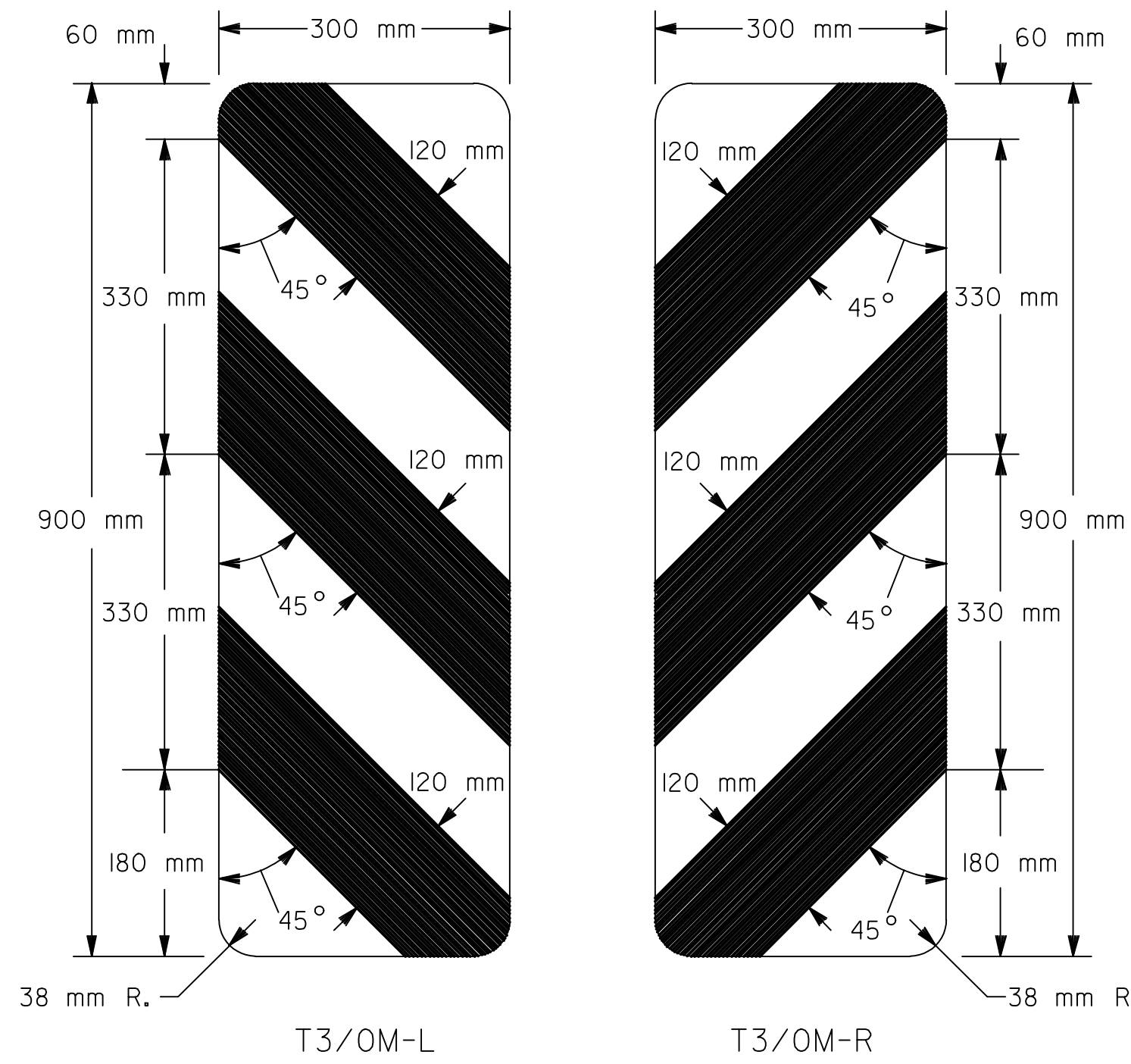
GUARD FENCE SECTION



BRIDGE OR CULVERT SECTION

NOTE: The object marker shall be placed a maximum of 1.05 m away from the structure end.

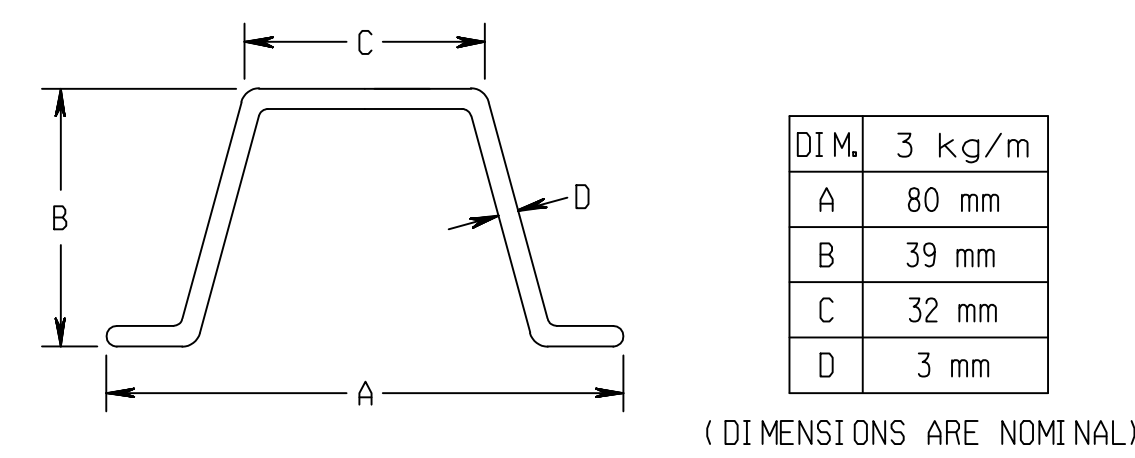
TYPICAL POSITIONING OF TYPE 3 OBJECT MARKER



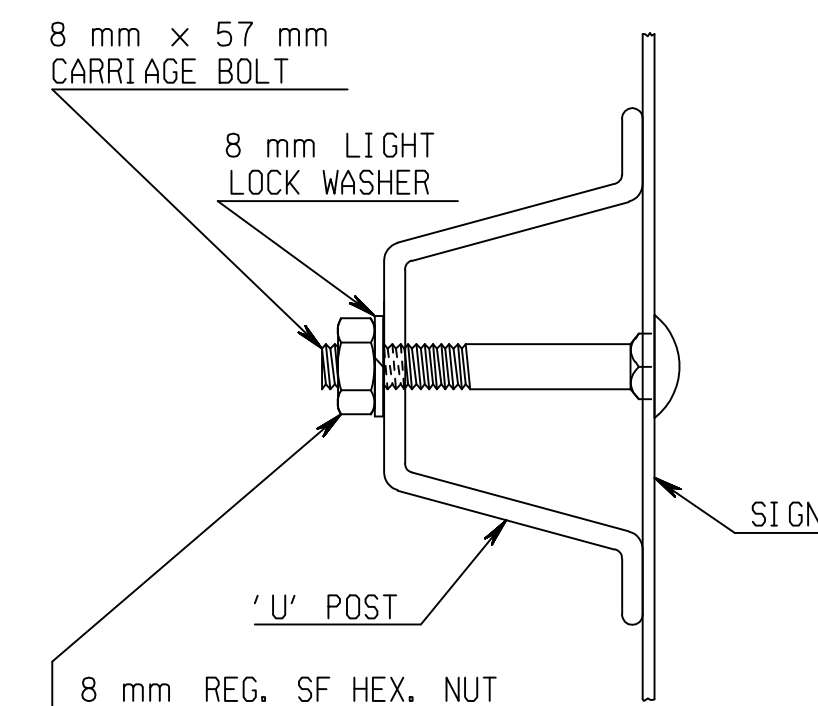
T3/OM-L

T3/OM-R

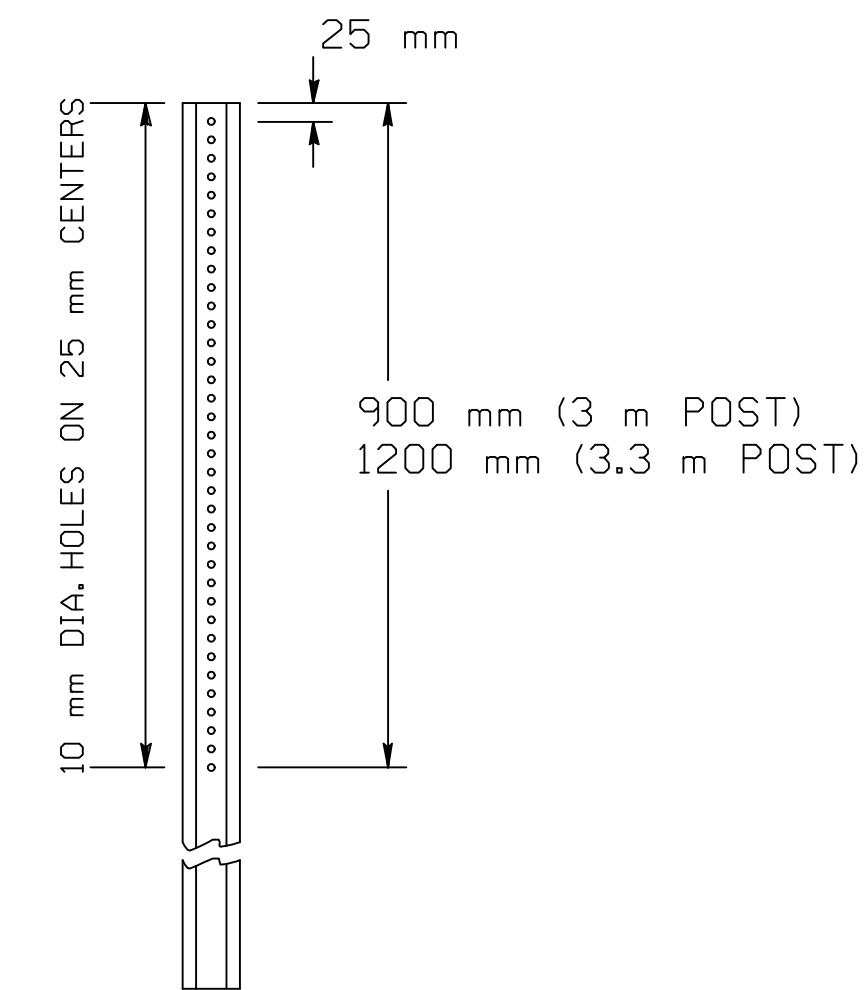
COLORS:  
 □ YELLOW (RETROREFLECTIVE)  
 ■ BLACK (NON-REFLECTIVE)



'U' POST DIMENSION DETAILS



'U' POST MOUNTING DETAILS



'U' POST PUNCHING DETAILS

FLAT SHEET OBJECT MARKERS

See flat sheet sign blank detailsheets for aluminum alloys and thickness required.

The Type 3 object marker sign face shall be covered with high performance yellow retroreflective sheeting.

The type of adhesive for retroreflective sheeting shall be heat activated or pressure sensitive.

STEEL 'U' POSTS

The steel 'U' post shall comply with Subsection 1620 of the Standard Specifications for State Road and Bridge Construction (1990 Edition).

FASTENING ACCESSORIES

All items of fastening accessories shall be Zinc or Cadmium plated.

The carriage bolts, nuts, and washers shall comply with Subsection 1614 of the Standard Specifications for State Road and Bridge Construction (1990 Edition).

| NO. | DATE    | REVISION                                    | BY  | APP'D |
|-----|---------|---|-----|-------|
| 3   |         |   |     |       |
| 2   | 6/21/96 | REMOVED BRIDGE OR CULVERT END TREATMENT     | WPR | NAB   |
| 1   | 5/8/96  | REMOVED GUARD FENCE STRUCTURE END TREATMENT | TCP | NAB   |

KANSAS DEPARTMENT OF TRANSPORTATION  
 DESIGN, ASSEMBLY, AND POSITIONING  
 DETAILS FOR  
 TYPE 3 OBJECT MARKERS  
 TE419SI 2-4-93

RECORD DRAWING

|               |            |            |                  |
|---------------|------------|------------|------------------|
| FHWA APPROVAL | 8-1-96     | APP'D      | NELDA A. BUCKLEY |
| DESIGNED      | DETAILED   | QUANTITIES | TRACED           |
| DESIGN CK.    | DETAIL CK. | QUAN. CK.  | TRACE CK.        |

DSNR: OPER: SVB SCALE: 1  
 I:/1997/97362/As-Built/dgn's/Vol.4/Sh. 674-KDOT-STD-TE419SI.dgn Last Rev: 9-20-07 By: gdr