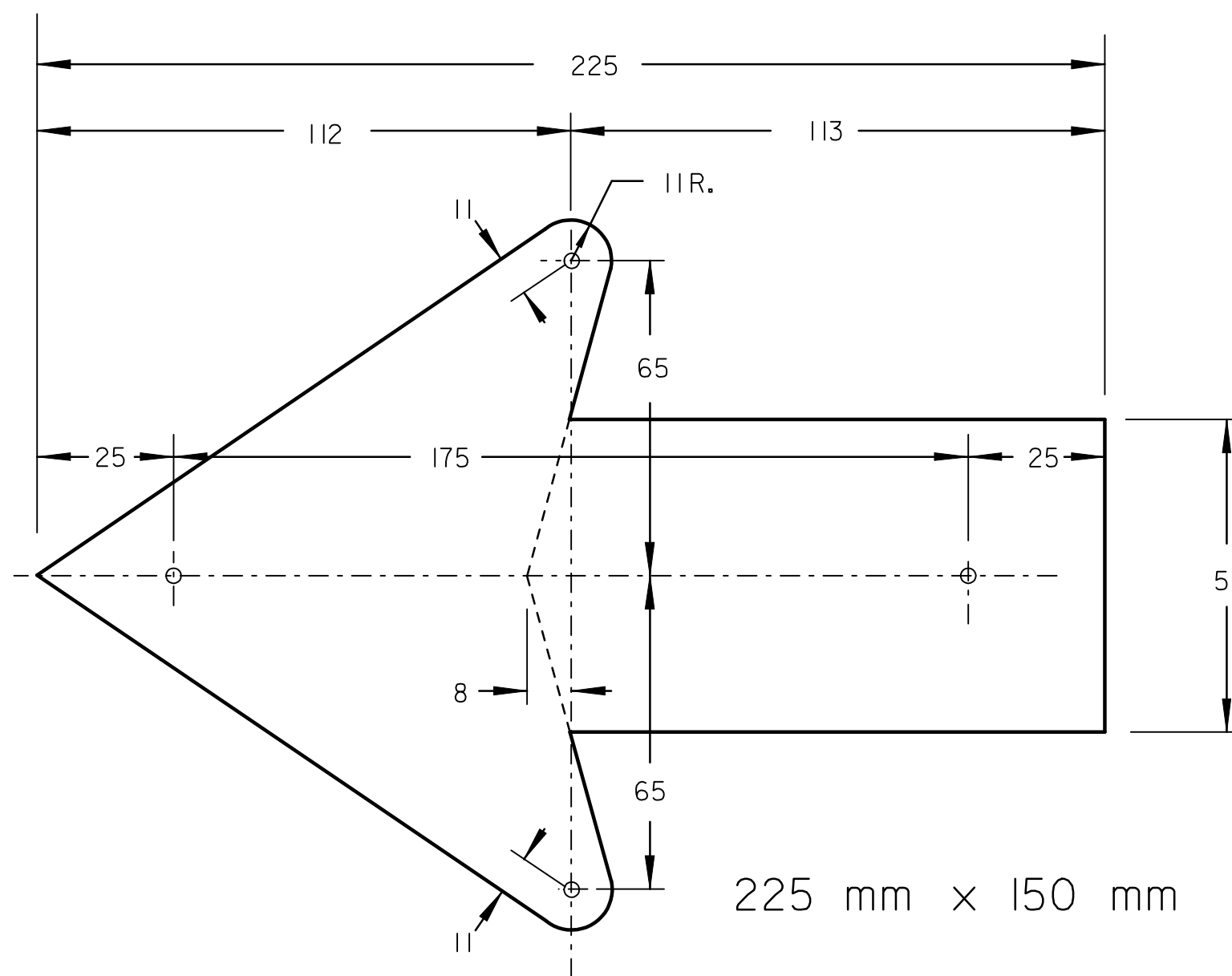
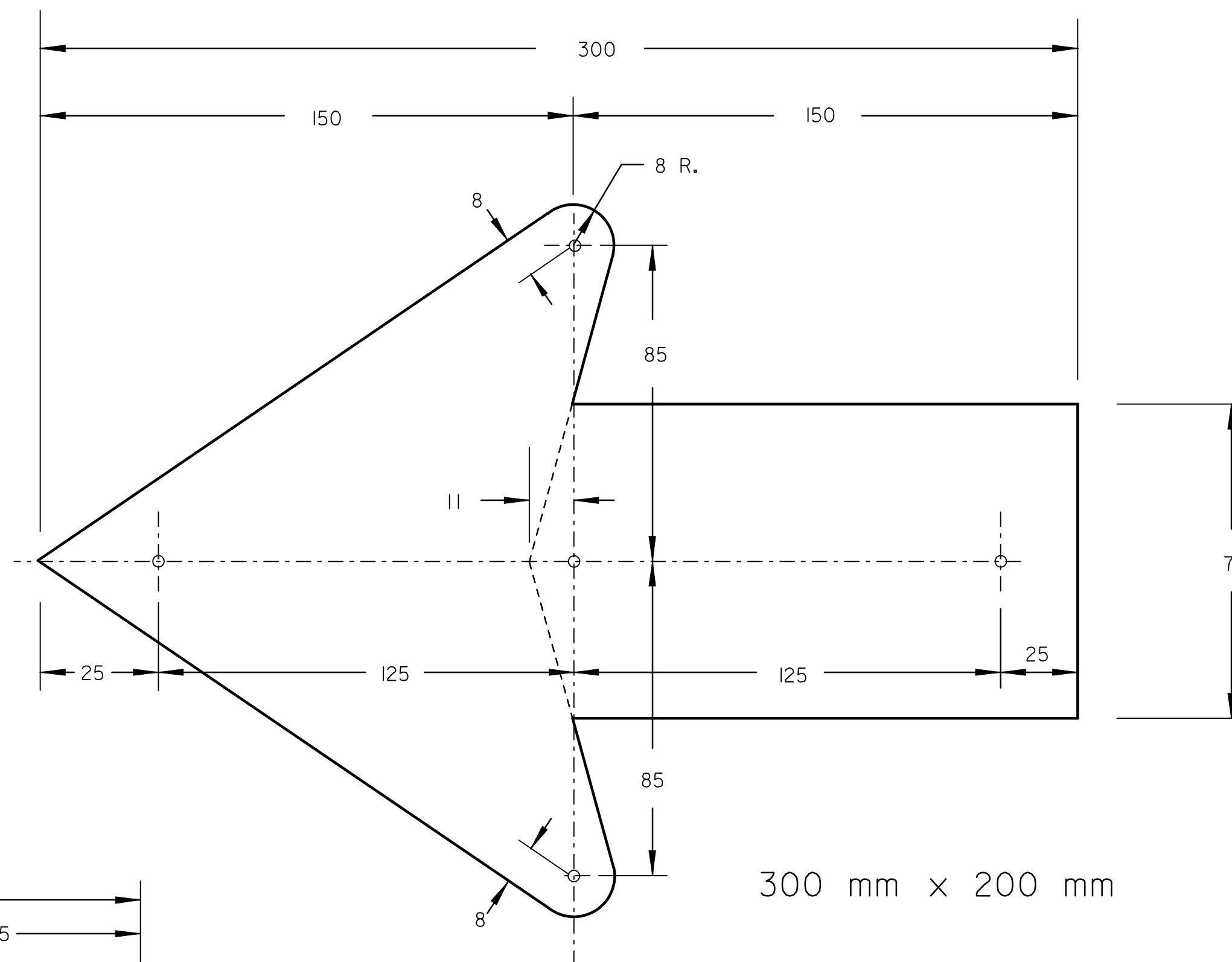


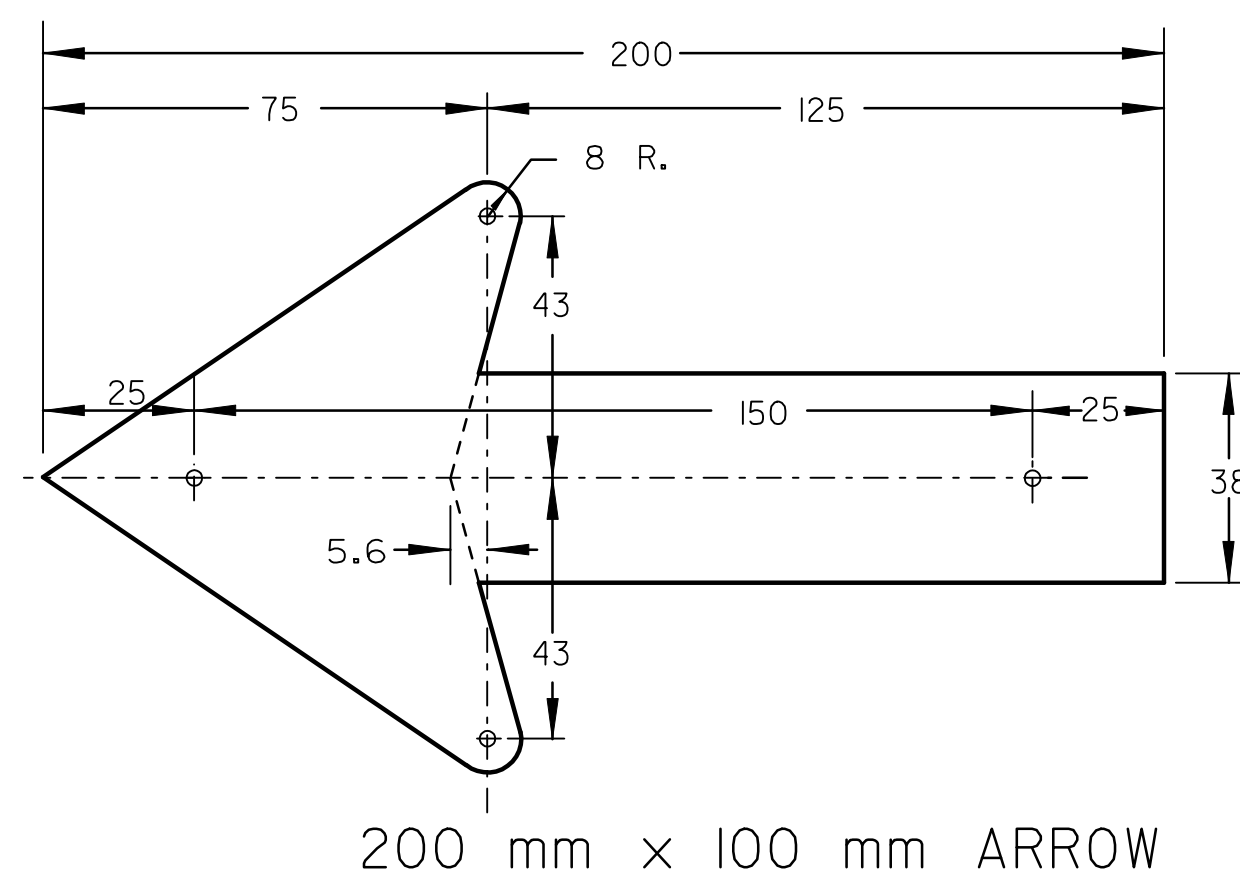
150 mm x 100 mm ARROW



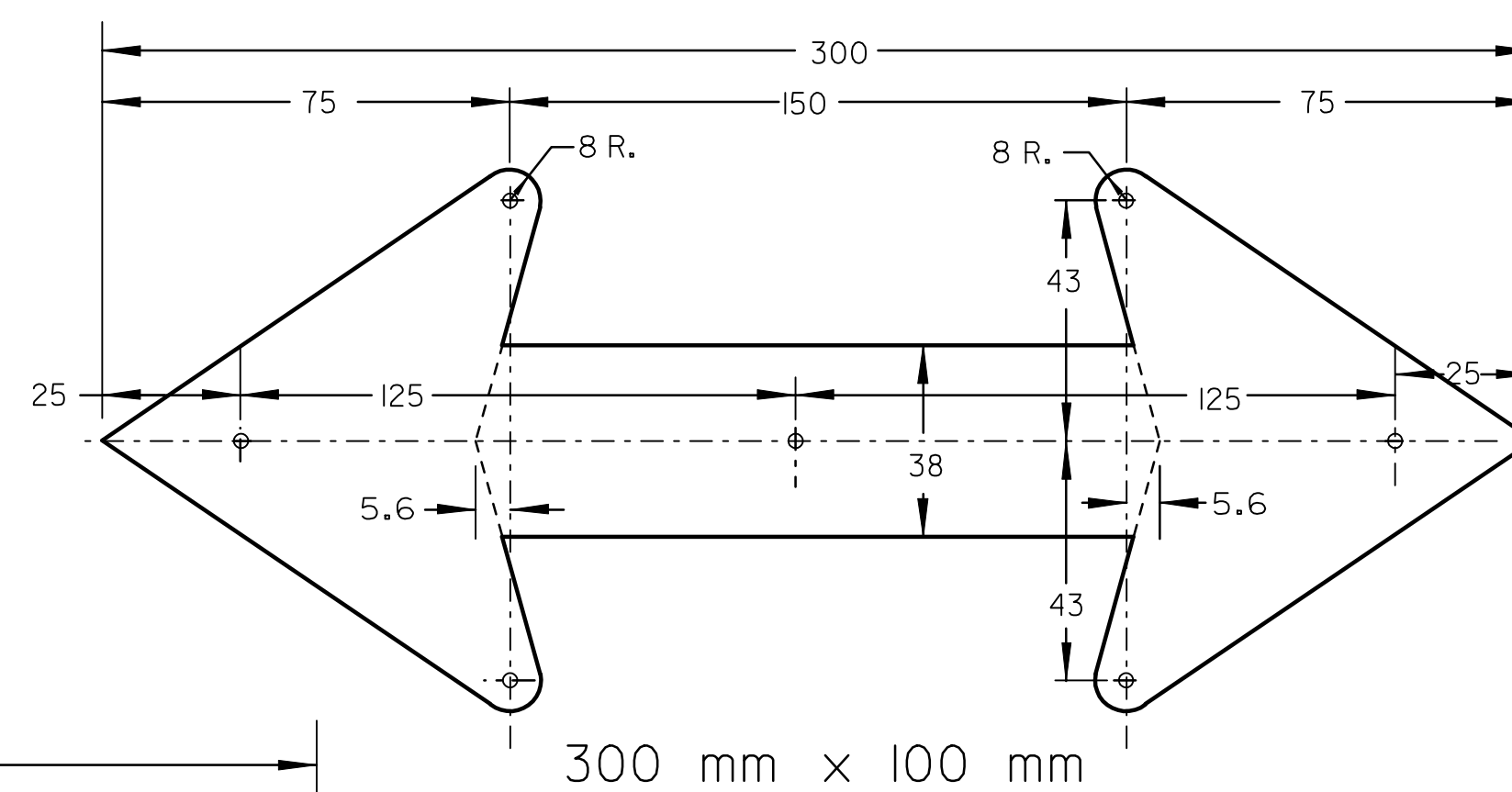
225 mm x 150 mm



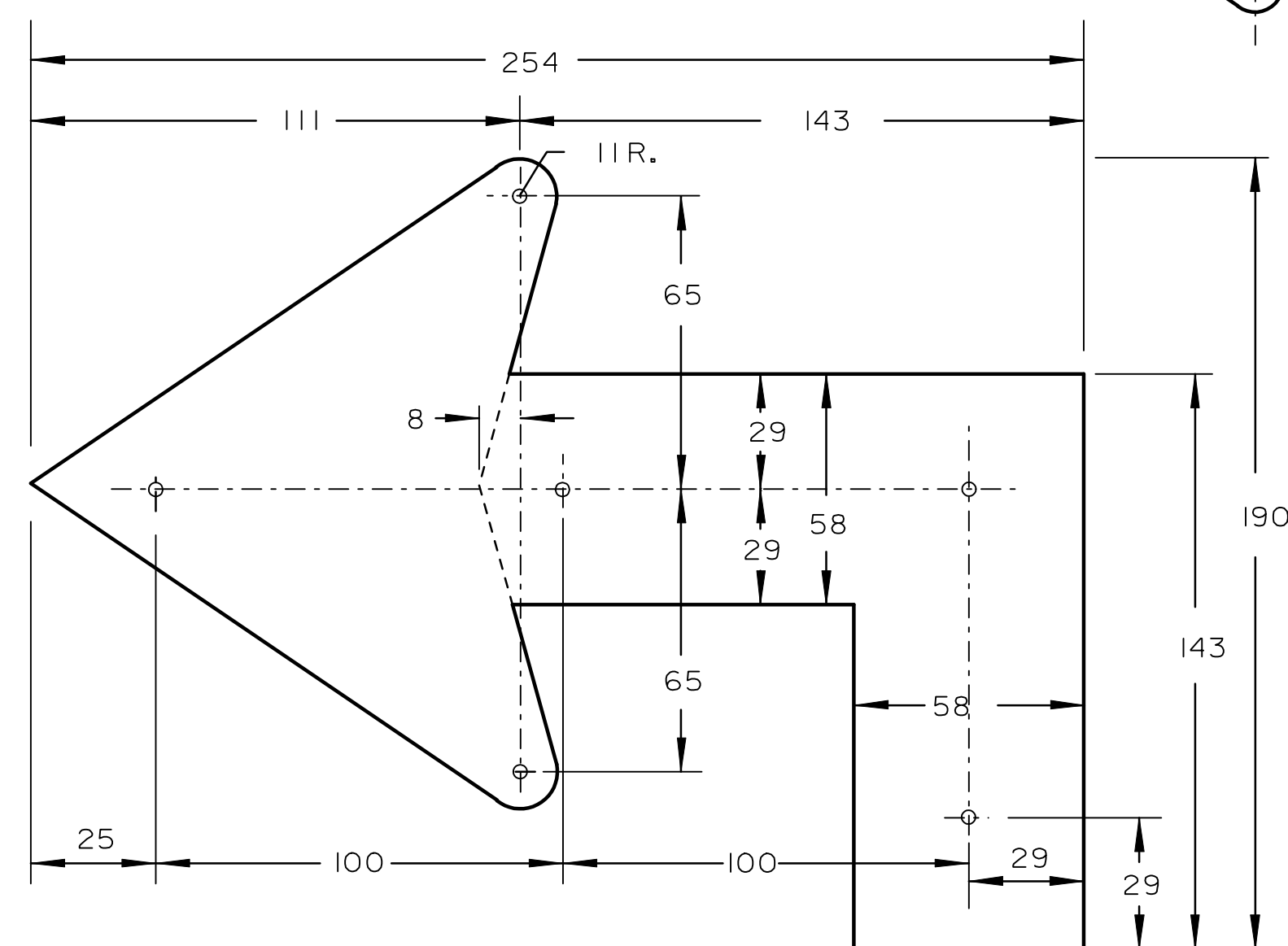
300 mm x 200 mm



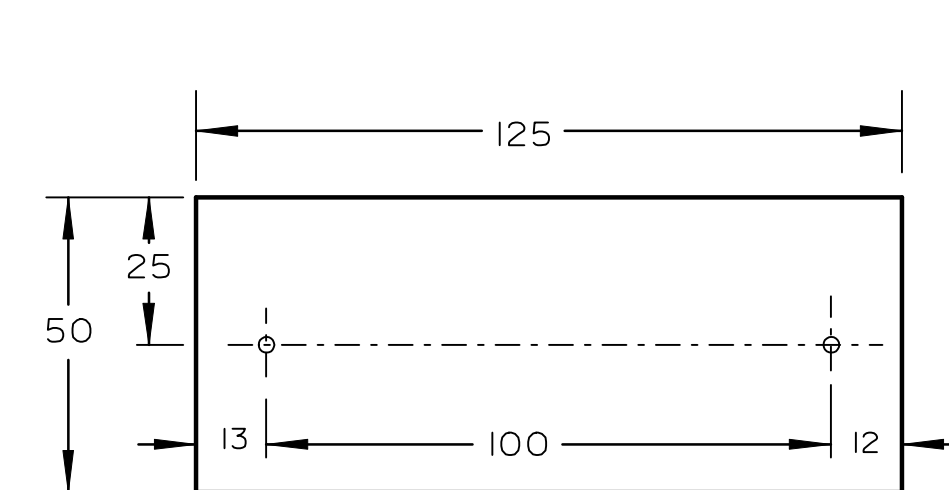
200 mm x 100 mm ARROW



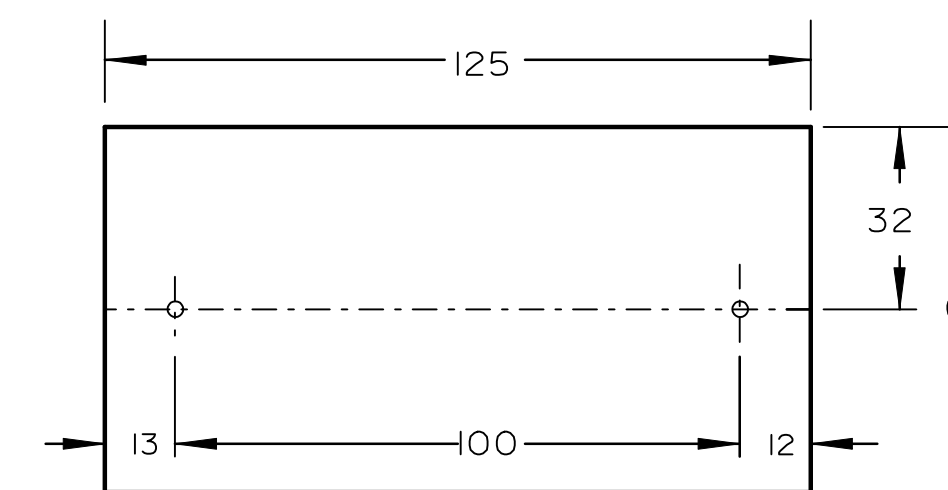
300 mm x 100 mm



RIGHT OR LEFT ADVANCE TURN ARROW
For D I Sign with 150 mm Letter



HYPHEN



HYPHEN

NOTES:

- All burrs and sharp edges shall be smoothed off.
- Material thickness shall be 1mm.
- Holes shall be drilled 3.3 mm for 3 mm front entry, self plugging, expanding rivets.
- See sheet 742 for detailed specifications.
- Aluminum arrows to be ASTM B-209 alloy 3003-H14.

All dimensions are in millimeters.

3					
2					
1					
NO.	DATE	REVISION	BY	APP'D	

KANSAS DEPARTMENT OF TRANSPORTATION					
DETAILS FOR ARROWS					
AND HYPHENS					
(REMOVABLE LEGEND)					
TE654SI				9-1-94	
FHWA APPROVAL	I-10-95	APP'D	Nelda A. Buckley		
DESIGNED	DETAILED	KH	QUANTITIES	TRACED	
DESIGN CK.	DETAIL CK.	QUAN. CK.	TRACE CK.		

RECORD DRAWING