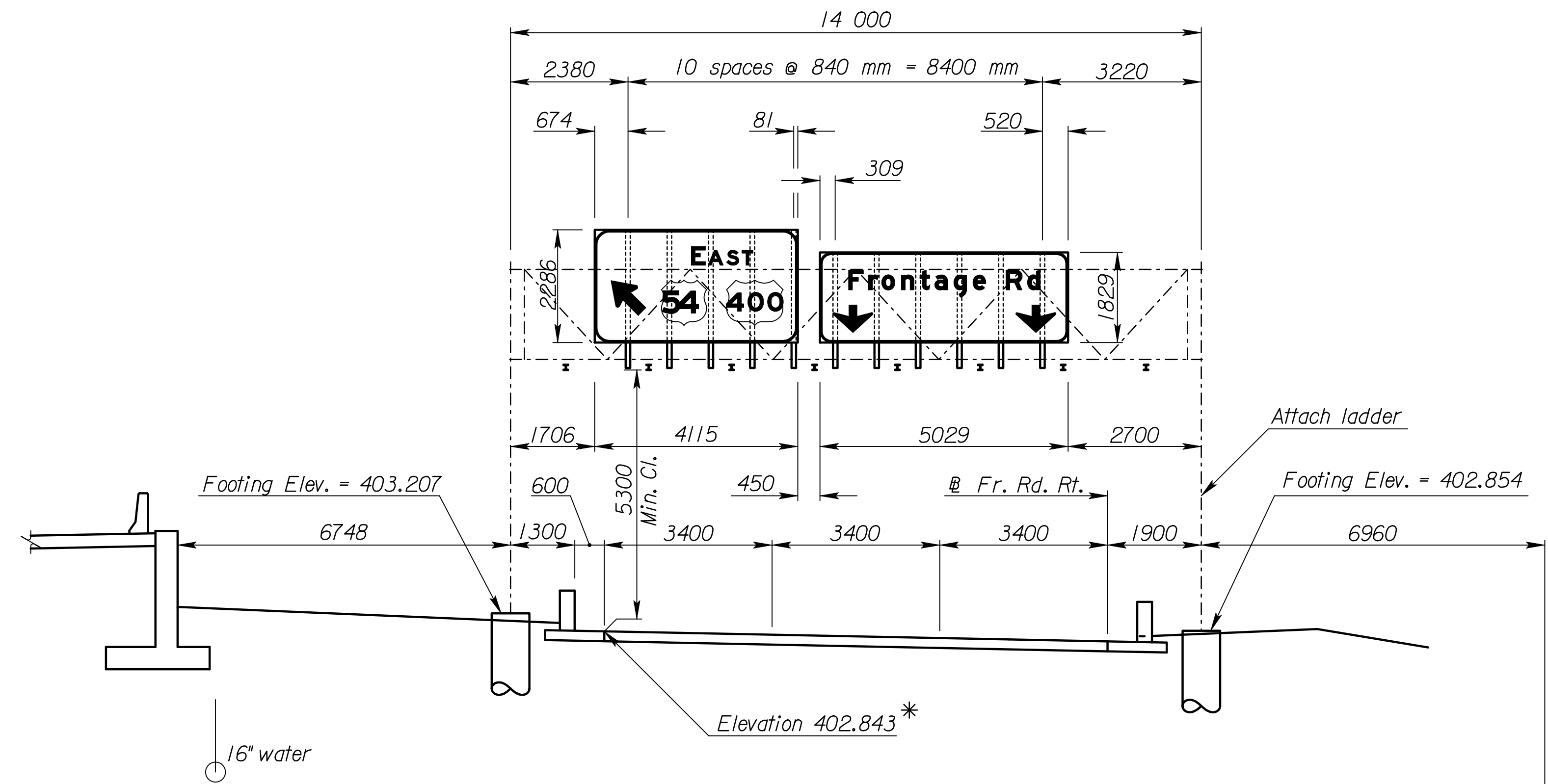


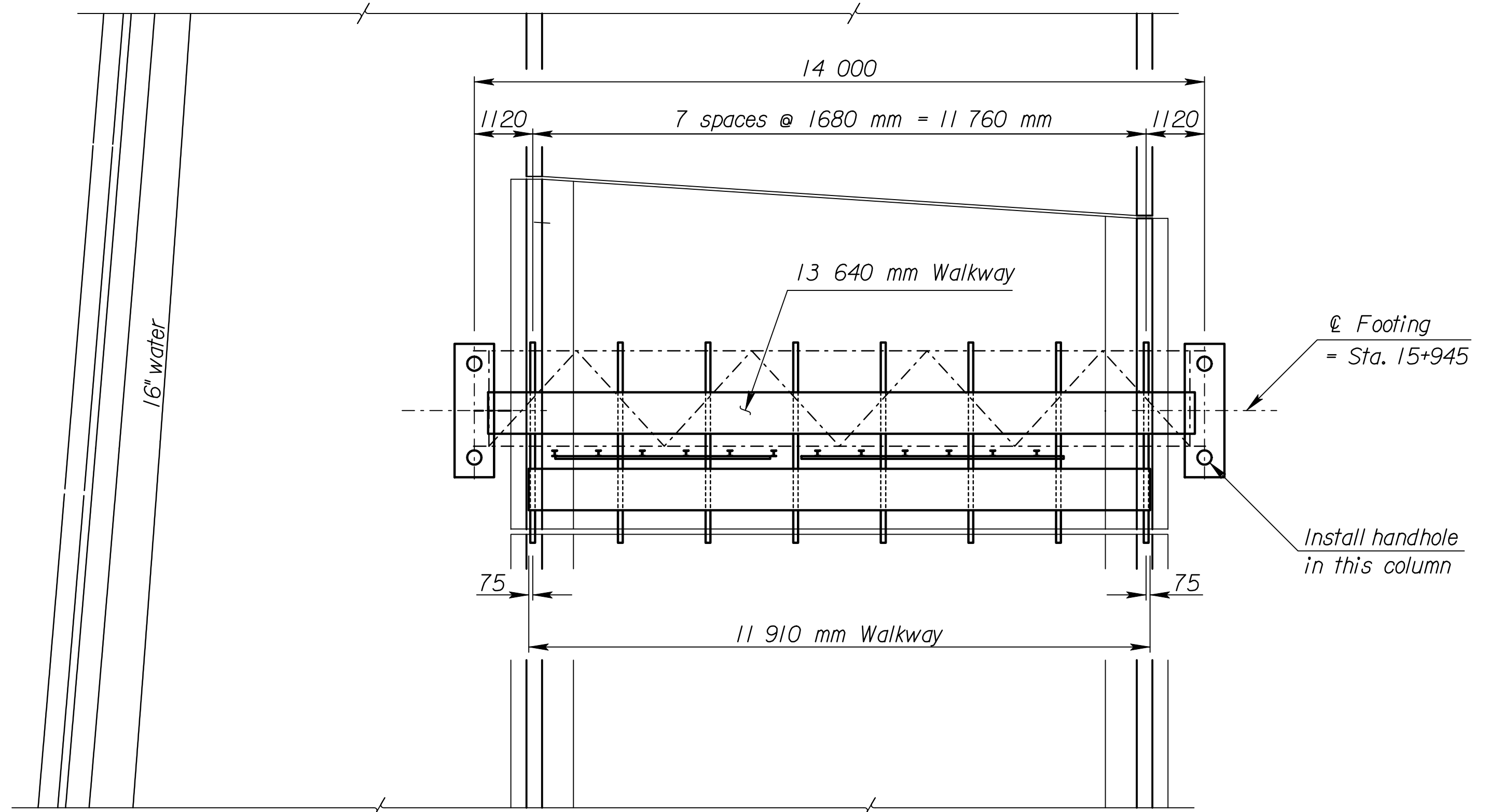
STATE	PROJECT NO.	YEAR	SHEET NO.	TOTAL SHEETS
KANSAS	54-87 K-6657-01	2002	752	1122



* Note: Use this point as a control point for all elevations.

450 mm RCP
Elevation 397.8

ELEVATION



PLAN

ALUMINUM DETAILS				
TRUSS	Member 1 Wall Thickness	3.76		
	Member 2 Wall Thickness	3.05		
	N = 8	X = 280	S = 1680	Camber = 16
END SUPPORTS	Member 1 Wall Thickness	4.19		
	Member 2 Wall Thickness	3.05		
	Left	N = 3	S = 1565	L = 7115
	Right	N = 3	S = 1665	L = 7415
FOOTINGS	Left Type	B	Right Type	B

Scale 1:75

RECORD DRAWING

3				
2				
1				
NO.	DATE	REVISIONS	BY	APP'D

KANSAS DEPARTMENT OF TRANSPORTATION
 EB US-54 Fr. Rd. Rt. STATION 15+945
 SPAN TYPE OVERHEAD SIGN STRUCTURE
 CONSTRUCTION LAYOUT
 ALUMINUM ALTERNATE
 PROJ. NO. 54-87 K-6657-01 SEDGWICK CO.
 SHEET NO. 8 OF 44 SCALE APP'D
 DESIGNED SMB DETAILED SMB QUANTITIES CADD
 DESIGN CK. DETAIL CK. QUAN. CK. CADD CK.

Scale = +/- 75.2
 I:/1997/97362/As-Builts/dgn/s/Vol 4/SH 752-KDOT STD-Sign-15945.dgn Last Rev: 10-3-07 By: gdr