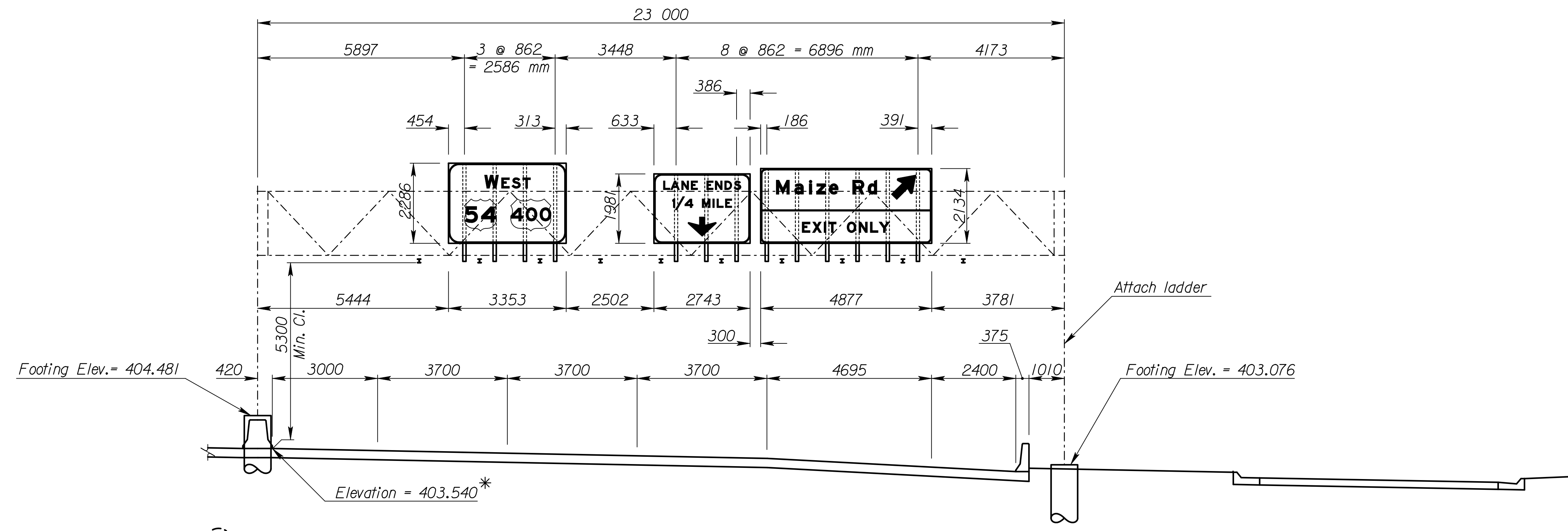
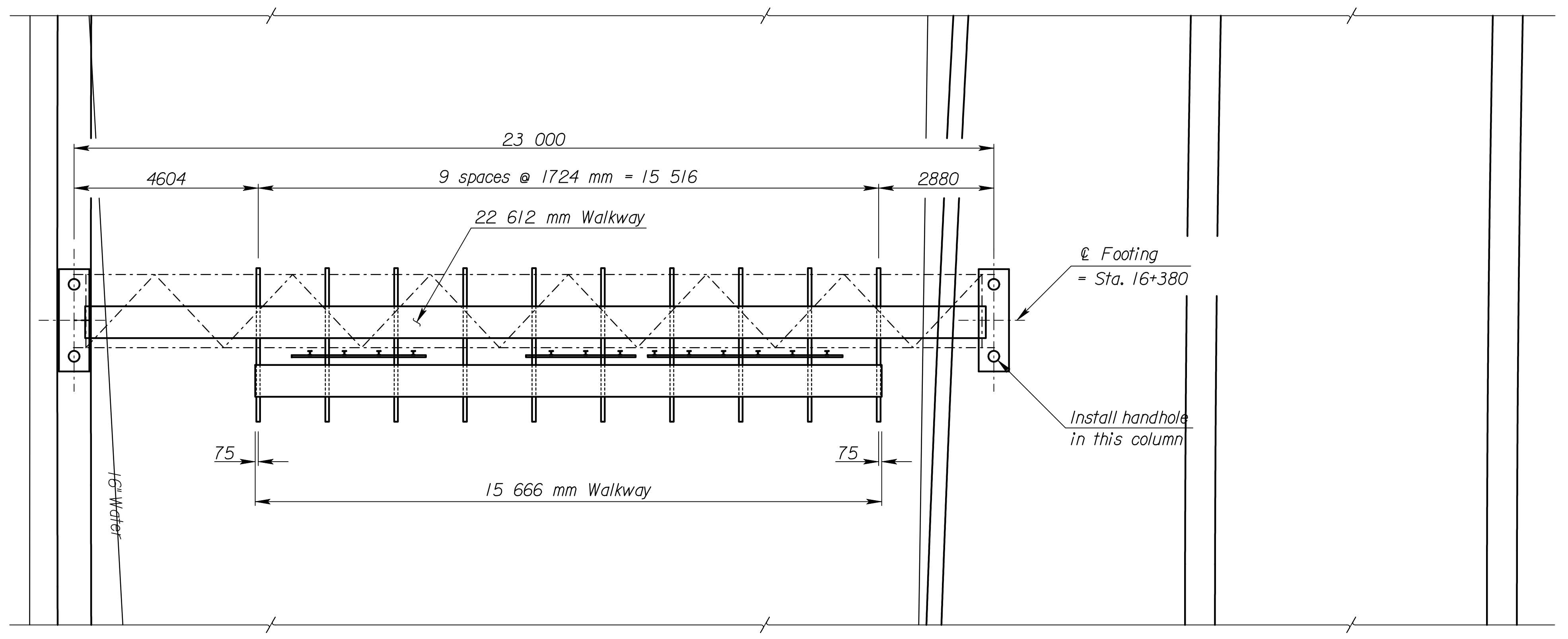


STATE	PROJECT NO.	YEAR	SHEET NO.	TOTAL SHEETS
KANSAS	54-87 K-6657-01	2002	754	1122



\* Note: Use this point as a control point for all elevations.

ELEVATION



PLAN

ALUMINUM DETAILS				
TRUSS	Member 1 Wall Thickness	3.76		
	Member 2 Wall Thickness	5.74		
	N = 13   X = 294   S = 1724   Camber = 30			
END SUPPORTS	Member 1 Wall Thickness	7.80		
	Member 2 Wall Thickness	6.02		
	Left N = 2   S = 2050   L = 6520			
Right N = 3   S = 1835   L = 7925				
FOOTINGS	Left Type	D	Right Type	D

3				
2				
1				
NO.	DATE	REVISIONS	BY	APP'D

**KANSAS DEPARTMENT OF TRANSPORTATION**  
**WB US-54 STATION 16+380**  
**SPAN TYPE OVERHEAD SIGN STRUCTURE**  
**CONSTRUCTION LAYOUT**  
**ALUMINUM ALTERNATE**  
 Proj. No. 54-87 K-6657-01 SEDGWICK CO.  
 SHEET NO. 10 OF 44 SCALE APP'D  
 DESIGNED SMB DETAILED SMB QUANTITIES CADD  
 DESIGN CK. DETAIL CK. QUAN. CK. CADD CK.

**RECORD DRAWING**

Scale = +/- 75.2  
 I:/1997/97362/As-Builts/dgn/s/Vol 4/SH 754-KDOT STD-Sign-16380.dgn Last Rev: 10-3-07 Bys: gdr