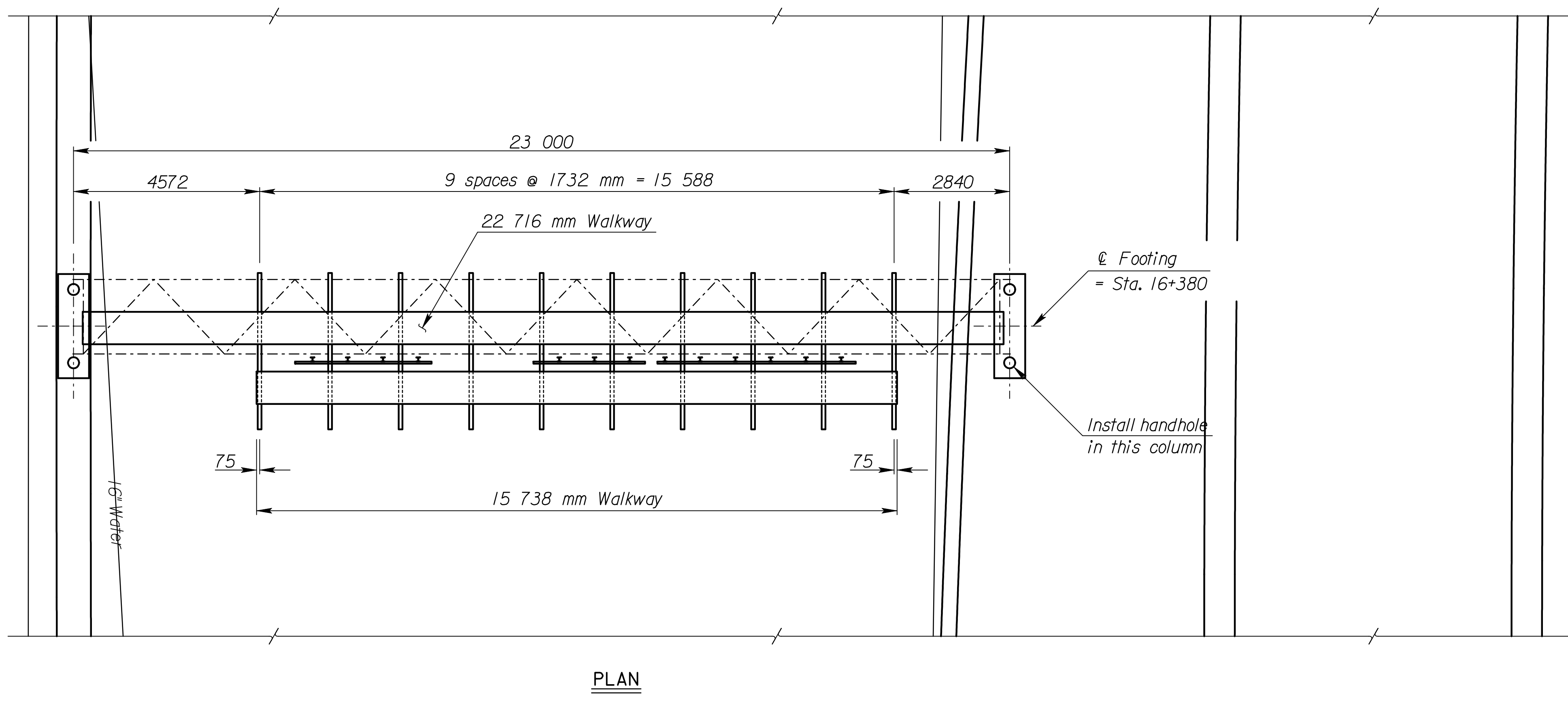


* Note: Use this point as a control point for all elevations.



STEEL NOT USED

		STEEL DETAILS			
TRUSS	Member 1 Wall Thickness				4.78
	Member 2 Wall Thickness				3.05
	N = 13	X = 242	S = 1732	Camber = 31	
END SUPPORTS	Member 1 Wall Thickness				4.78
	Member 2 Wall Thickness				3.18
	Left	N = 2	S = 2050	L = 6465	
	Right	N = 3	S = 1835	L = 7870	
FOOTINGS	Left Type	C		Right Type	C

3					
2					
1					
NO.	DATE	REVISIONS	BY	APP'D	

KANSAS DEPARTMENT OF TRANSPORTATION
WB US-54 STATION 16+380
SPAN TYPE OVERHEAD SIGN STRUCTURE
CONSTRUCTION LAYOUT
STEEL ALTERNATE

Proj. No. 54-87 K-6657-01 SEDGWICK CO.

SHEET NO. 11 OF 44	SCALE	APP'D
DESIGNED	SMB	DETAILED
DESIGN CK.	DETAIL CK.	QUAN. CK.
		CADD CK.

RECORD DRAWING

Scale = +/- 75.2
 I:/1997/97362/As-Builts/dgn/s/Vol 4/SH 755-KDOT STD-Sign-16380.dgn Last Rev: 10-3-07 By: gdr