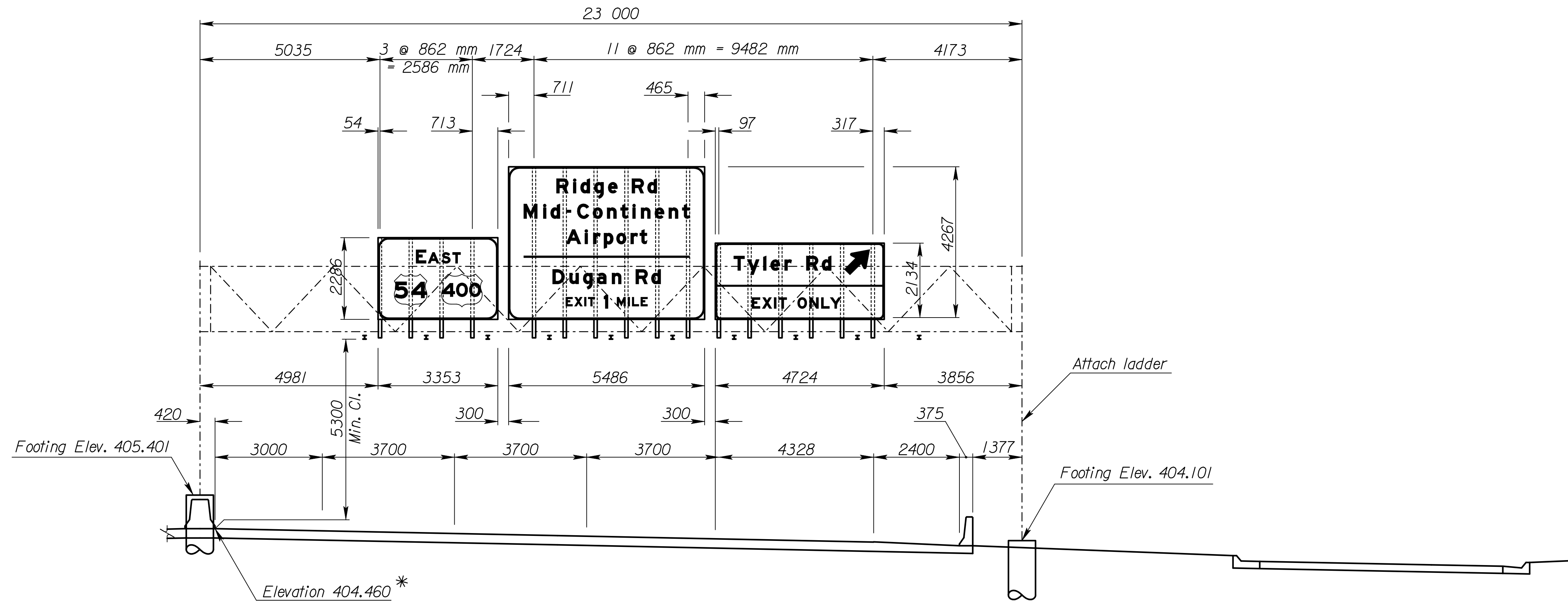
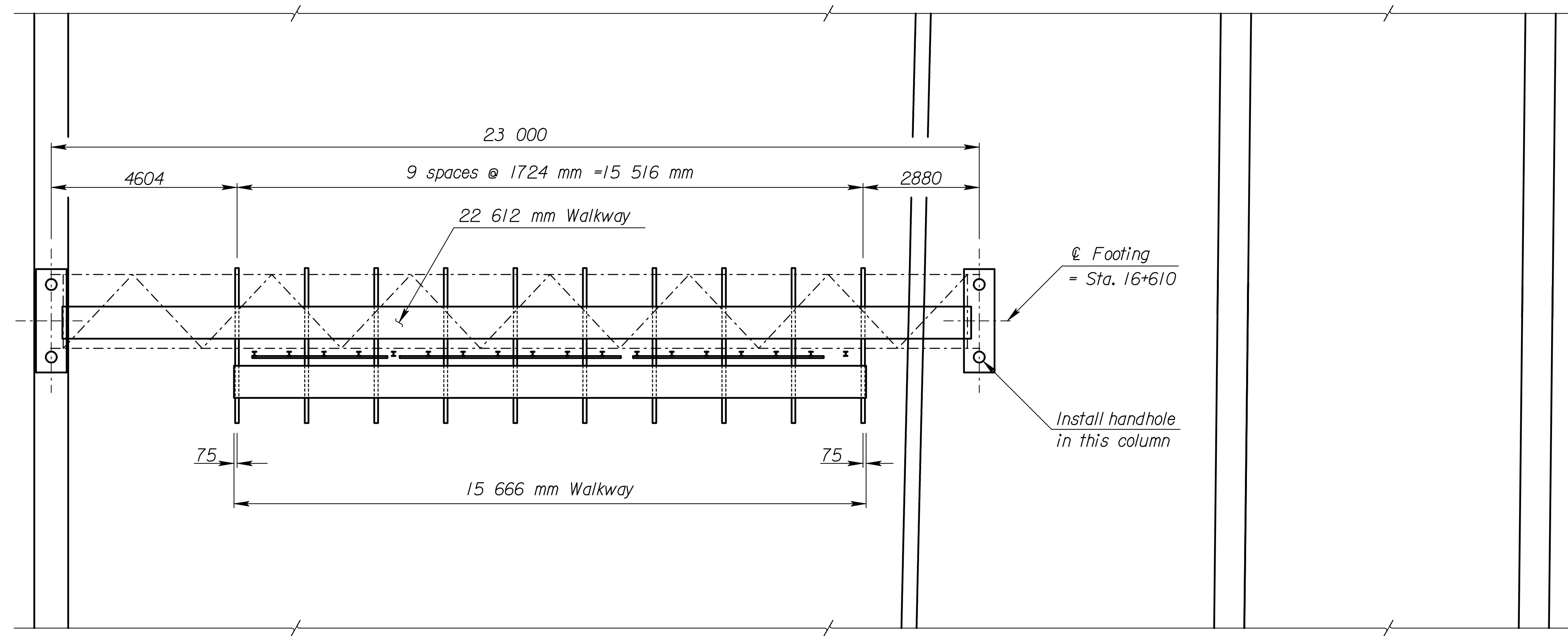


STATE	PROJECT NO.	YEAR	SHEET NO.	TOTAL SHEETS
KANSAS	54-87 K-6657-01	2002	756	1122



* Note: Use this point as a control point for all elevations.



ALUMINUM DETAILS				
TRUSS	Member 1 Wall Thickness	6.35		
	Member 2 Wall Thickness	5.74		
	N = 13 X = 294 S = 1724 Camber = 31			
END SUPPORTS	Member 1 Wall Thickness	9.27		
	Member 2 Wall Thickness	6.02		
	Left N = 2 S = 2050 L = 6520			
	Right N = 3 S = 1800 L = 7820			
FOOTINGS	Left Type	F	Right Type	F

Scale 1:75

3					
2					
1					
NO.	DATE	REVISIONS	BY	APP'D	

KANSAS DEPARTMENT OF TRANSPORTATION
 EB US-54 STATION 16+610
 SPAN TYPE OVERHEAD SIGN STRUCTURE
 CONSTRUCTION LAYOUT
 ALUMINUM ALTERNATE

PROJ. NO. 54-87 K-6657-01 SEDGWICK CO.
 SHEET NO. 12 OF 44 SCALE APP'D
 DESIGNED SMB DETAILED SMB QUANTITIES CADD
 DESIGN CK. DETAIL CK. QUAN. CK. CADD CK.

RECORD DRAWING

Scale = +/- 75.2
 I:/1997/97362/As-Builts/dgn/4/SH 756-KDOT STD-Sign-16610.dgn Last Rev: 10-3-07 By: gdr