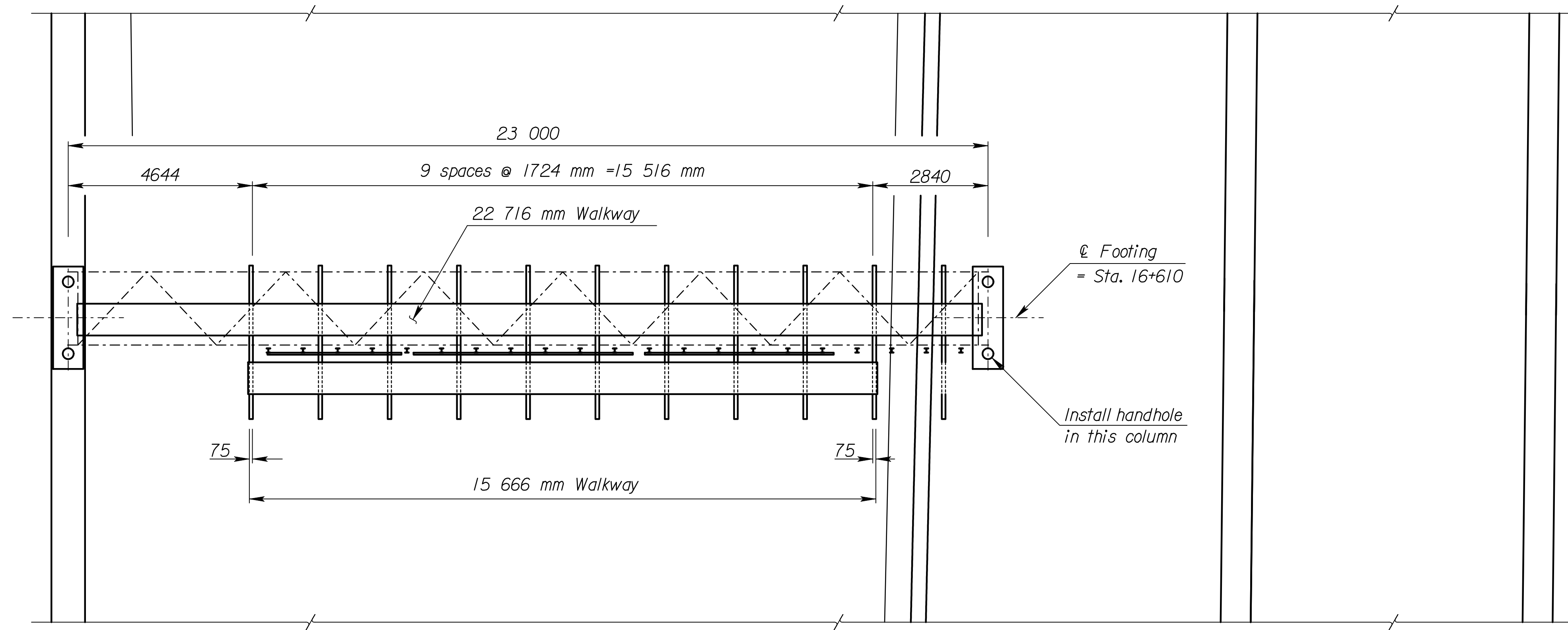


* Note: Use this point as a control point for all elevations.

ELEVATION



PLAN

STEEL NOT USED

STEEL DETAILS					
TRUSS	Member 1 Wall Thickness	7.11			
	Member 2 Wall Thickness	5.16			
	N = 13	X = 242	S = 1732	Camber = 30	
END SUPPORTS	Member 1 Wall Thickness	7.92			
	Member 2 Wall Thickness	5.49			
FOOTINGS	Left	N = 2	S = 2050	L = 6520	
	Right	N = 2	S = 1835	L = 7870	
	Left Type	F	Right Type	F	

Scale 1:75

3				
2				
1				
NO.	DATE	REVISIONS	BY	APP'D

KANSAS DEPARTMENT OF TRANSPORTATION
 EB US-54 STATION 16+610
 SPAN TYPE OVERHEAD SIGN STRUCTURE
 CONSTRUCTION LAYOUT
 STEEL ALTERNATE

PROJ. NO. 54-87 K-6657-01 SEDGWICK CO.
 SHEET NO. 13 OF 44 SCALE APP'D
 DESIGNED SMB DETAILED SMB QUANTITIES CADD
 DESIGN CK. DETAIL CK. QUAN. CK. CADD CK.

RECORD DRAWING

Scale = +/- 75.2
 I:/1997/97362/As-Builts/dgn/s/Vol 4/SH 757-KDOT STD-Sign-16610.dgn Last Rev: 10-3-07 By: gdr