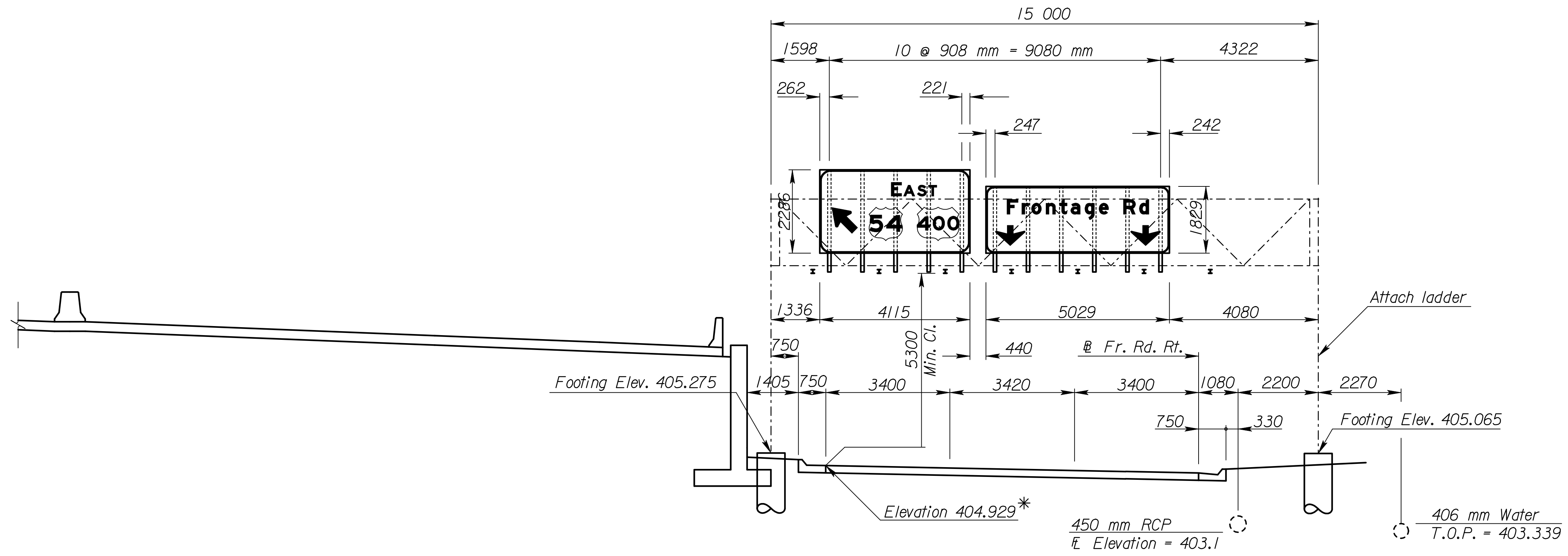
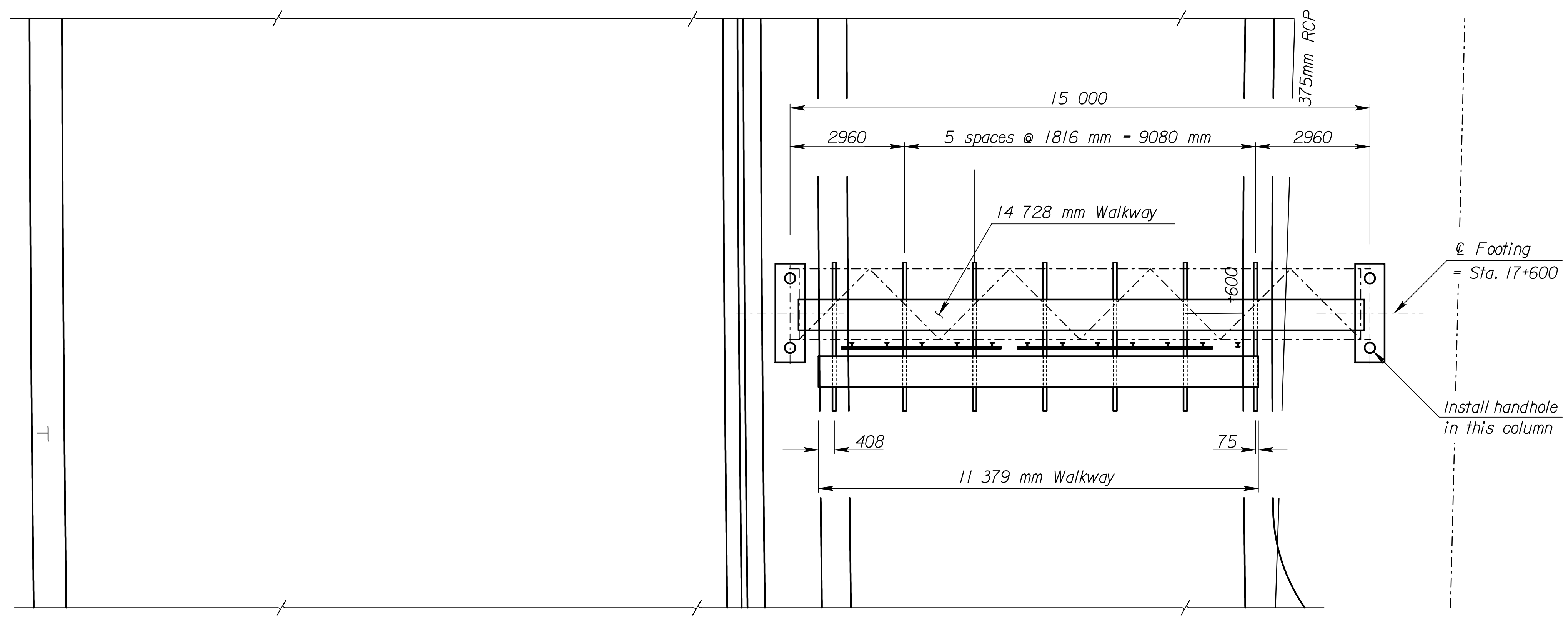


STATE	PROJECT NO.	YEAR	SHEET NO.	TOTAL SHEETS
KANSAS	54-87 K-6657-01	2002	761	1122



\* Note: Use this point as a control point for all elevations.

ELEVATION



PLAN

**STEEL NOT USED**

		STEEL DETAILS			
TRUSS	Member 1 Wall Thickness				4.78
	Member 2 Wall Thickness				3.05
	N = 8	X = 236	S = 1816	Camber = 17	
END SUPPORTS	Member 1 Wall Thickness				4.78
	Member 2 Wall Thickness				3.18
	Left	N = 3	S = 1565	L = 7060	
	Right	N = 3	S = 1635	L = 7270	
FOOTINGS	Left Type	B	Right Type	A	

Scale 1:75

3				
2				
1				
NO.	DATE	REVISIONS	BY	APP'D

**KANSAS DEPARTMENT OF TRANSPORTATION**  
 EB US-54 Fr. Rd. Rt. STATION 17+600  
 SPAN TYPE OVERHEAD SIGN STRUCTURE  
 CONSTRUCTION LAYOUT  
 STEEL ALTERNATE  
 PROJ. NO. 54-87 K-6657-01 SEDGWICK CO.  
 SHEET NO. 17 OF 44 SCALE APP'D  
 DESIGNED SMB DETAILED SMB QUANTITIES CADD  
 DESIGN CK. DETAIL CK. QUAN. CK. CADD CK.

**RECORD DRAWING**

Scale = +/- 75.2  
 I:/1997/97362/As-Builts/dgn/s/Vol 4/SH 761-KDOT STD-Sign-17600.dgn Last Rev: 10-3-07 Bjr: gdr