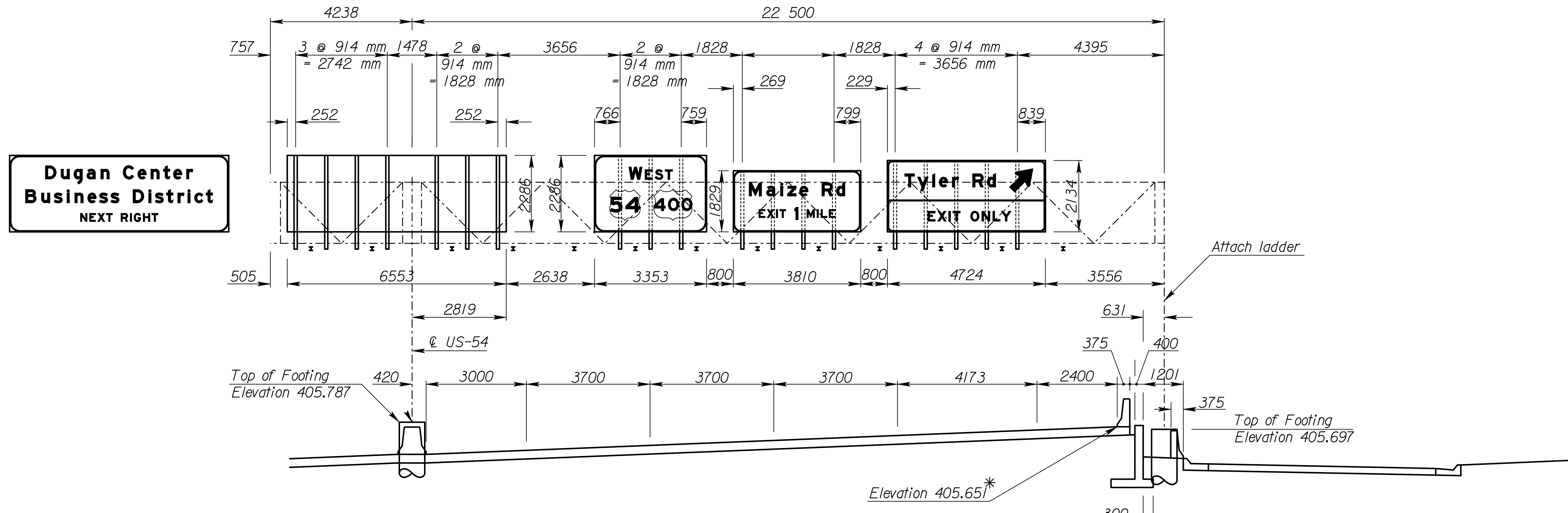
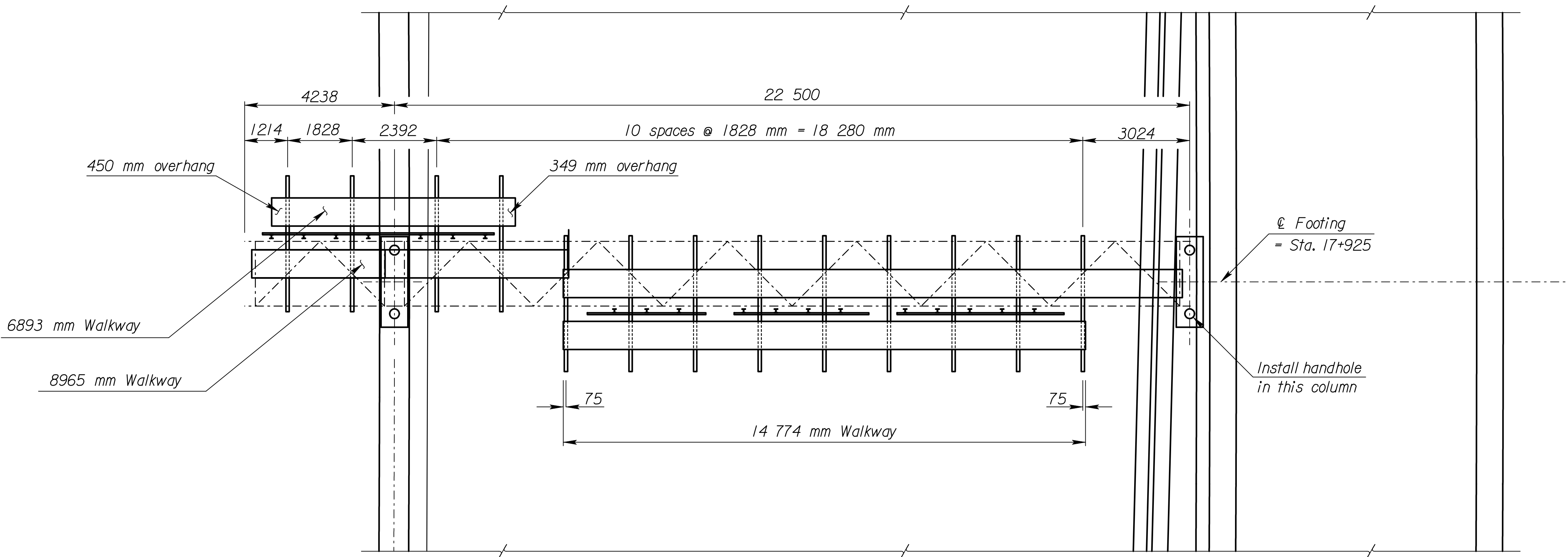


STATE	PROJECT NO.	YEAR	SHEET NO.	TOTAL SHEETS
KANSAS	54-87 K-6657-01	2002	762	1122



* Note: Use this point as a control point for all elevations.

ELEVATION



PLAN

ALUMINUM DETAILS			
TRUSS	Member 1 Wall Thickness	6.35	
	Member 2 Wall Thickness	5.74	
	N = 12	X = 282	S = 1828 Camber = 30
END SUPPORTS	Member 1 Wall Thickness	7.80	
	Member 2 Wall Thickness	6.02	
	Left	N = 3	S = 1635 L = 7325
	Right	N = 3	S = 1665 L = 7415
FOOTINGS	Left Type	E	Right Type E

Scale 1:75

3				
2				
1				
NO.	DATE	REVISIONS	BY	APP'D

KANSAS DEPARTMENT OF TRANSPORTATION
WB US-54 STATION 17+925
SPAN TYPE OVERHEAD SIGN STRUCTURE
CONSTRUCTION LAYOUT
ALUMINUM ALTERNATE
 PROJ. NO. 54-87 K-6657-01 SEDGWICK CO.
 SHEET NO. 18 OF 44 SCALE APP'D
 DESIGNED SMB DETAILED SMB QUANTITIES CADD
 DESIGN CK. DETAIL CK. QUAN. CK. CADD CK.

RECORD DRAWING

Scale = 1/000
 I:/1997/97362/As-Builts/dgn/s/Vol 4/SH 762-KDOT STD-Sign-17925.dgn Last Rev: 10-3-07 Bjk.gdr