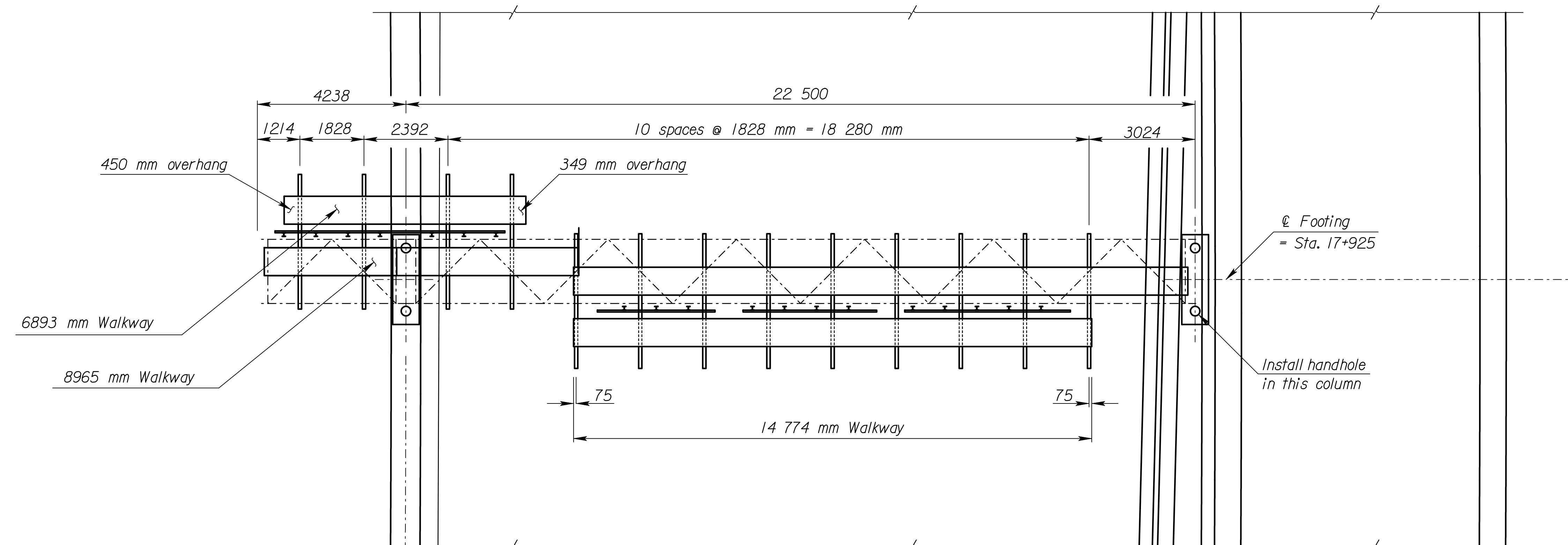


* Note: Use this point as a control point for all elevations.

ELEVATION



PLAN

STEEL NOT USED

		STEEL DETAILS			
TRUSS	Member 1 Wall Thickness				5.56
	Member 2 Wall Thickness				5.16
	N = 12	X = 234	S = 1836	Camber = 32	
END SUPPORTS	Member 1 Wall Thickness				4.78
	Member 2 Wall Thickness				3.18
	Left	N = 3	S = 1665	L = 7360	
	Right	N = 3	S = 1700	L = 7465	
FOOTINGS	Left Type	E	Right Type	E	

Scale 1:75

3					
2					
1					
NO.	DATE	REVISIONS	BY	APP'D	

KANSAS DEPARTMENT OF TRANSPORTATION
WB US-54 STATION 17+925
SPAN TYPE OVERHEAD SIGN STRUCTURE
CONSTRUCTION LAYOUT
STEEL ALTERNATE

PROJ. NO. 54-87 K-6657-01 SEDGWICK CO.
 SHEET NO. 19 OF 44 SCALE APP'D
 DESIGNED SMB DETAILED SMB QUANTITIES CADD
 DESIGN CK. DETAIL CK. QUAN. CK. CADD CK.

RECORD DRAWING

Scale = 1/000
 I:/1997/97362/As-Builts/dgn/s/Vol 4/SH 763-KDOT STD-Sign-17925.dgn Last Rev: 10-3-07 Bjk.gdr