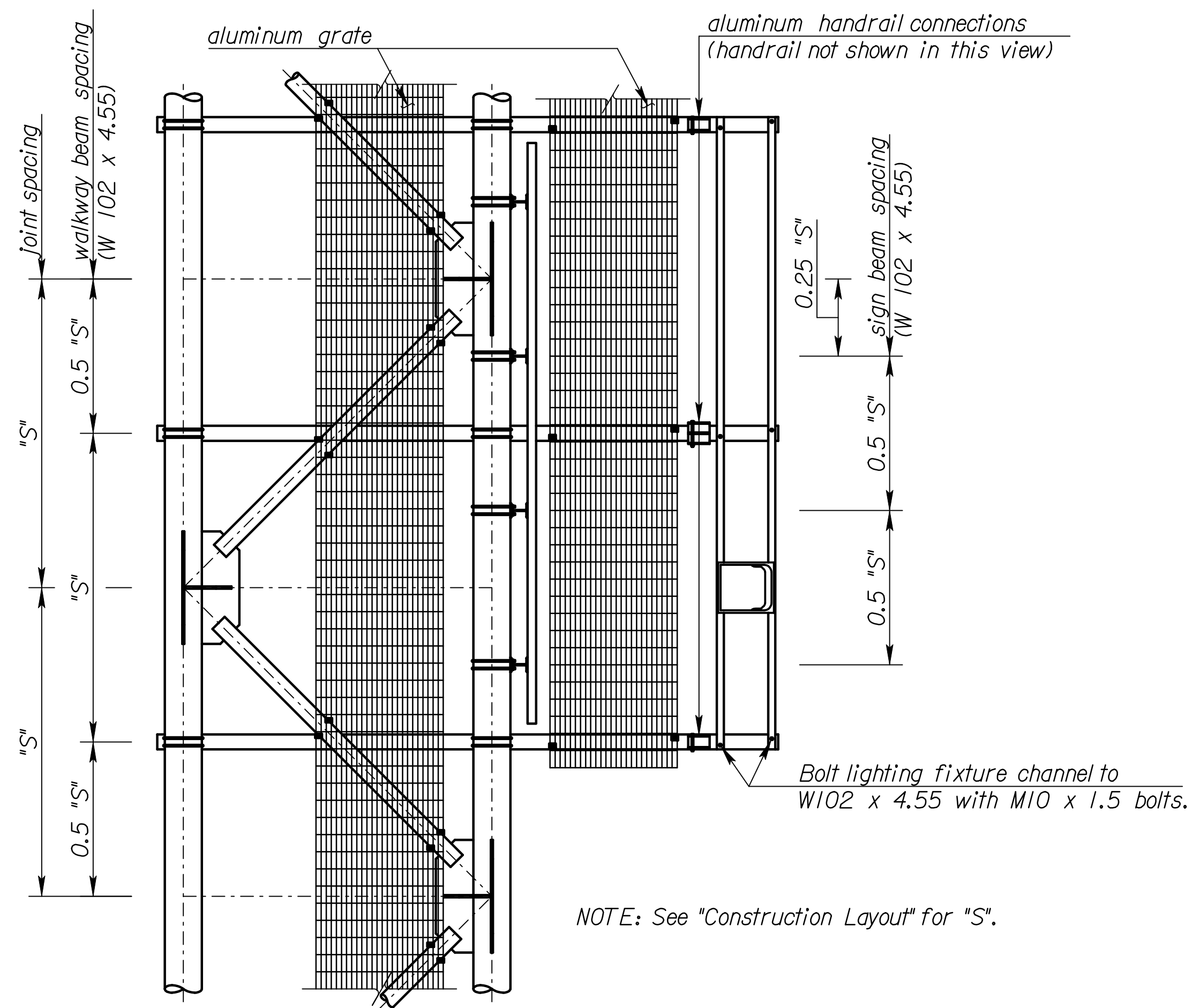


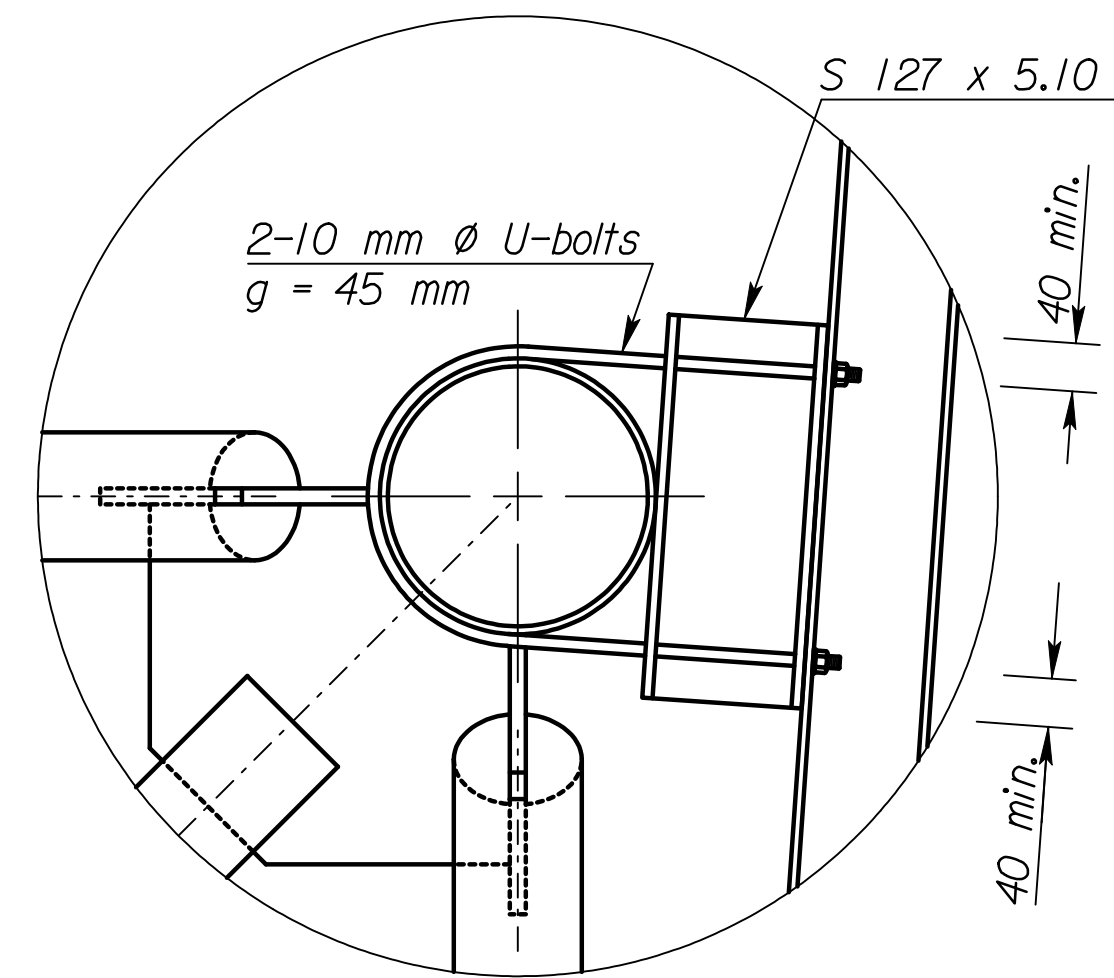
STATE	PROJECT NO.	YEAR	SHEET NO.	TOTAL SHEETS
KANSAS	54-87 K-6657-01	2002	775	1122



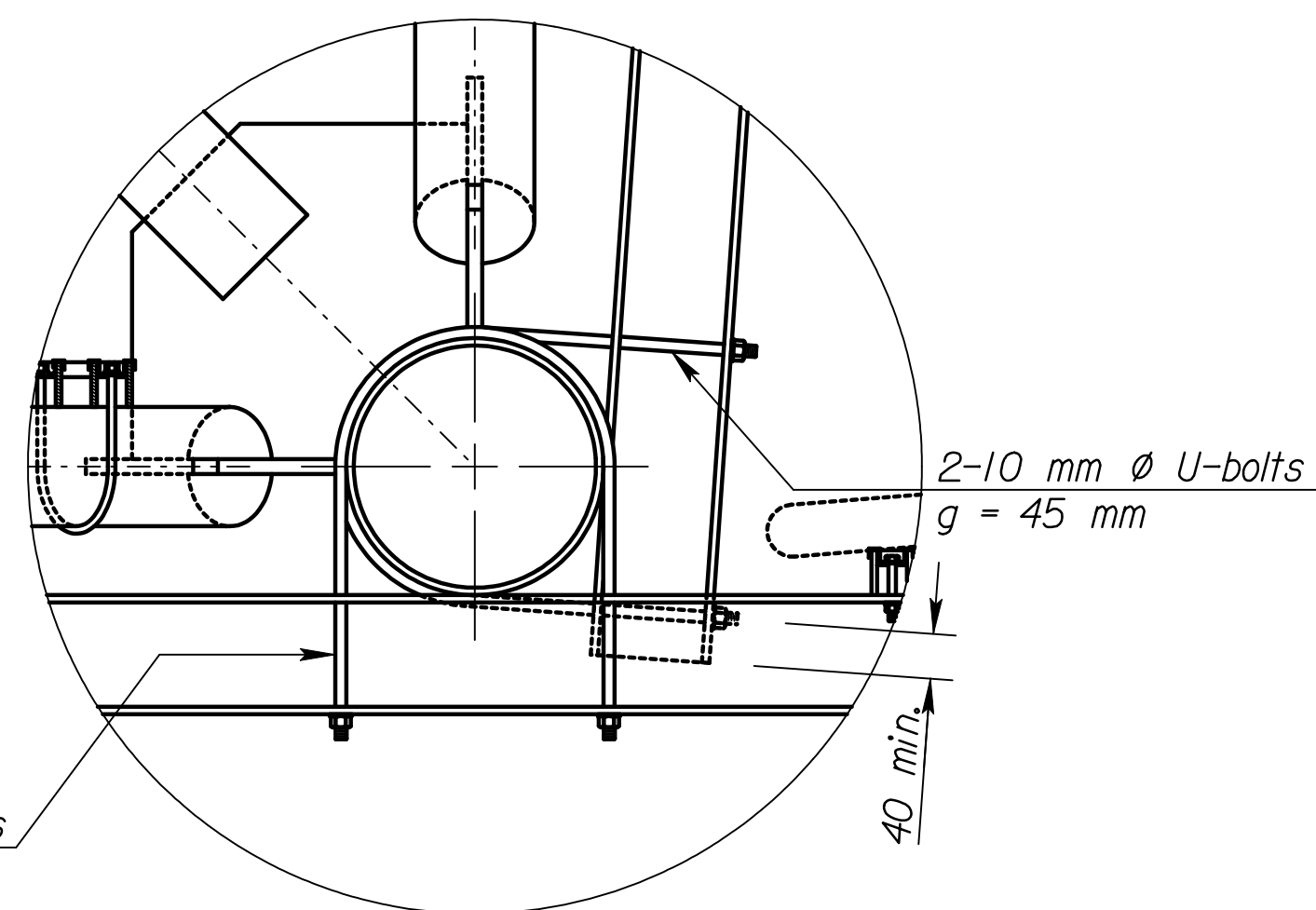
NOTE: See "Construction Layout" for "S".

**PLAN**

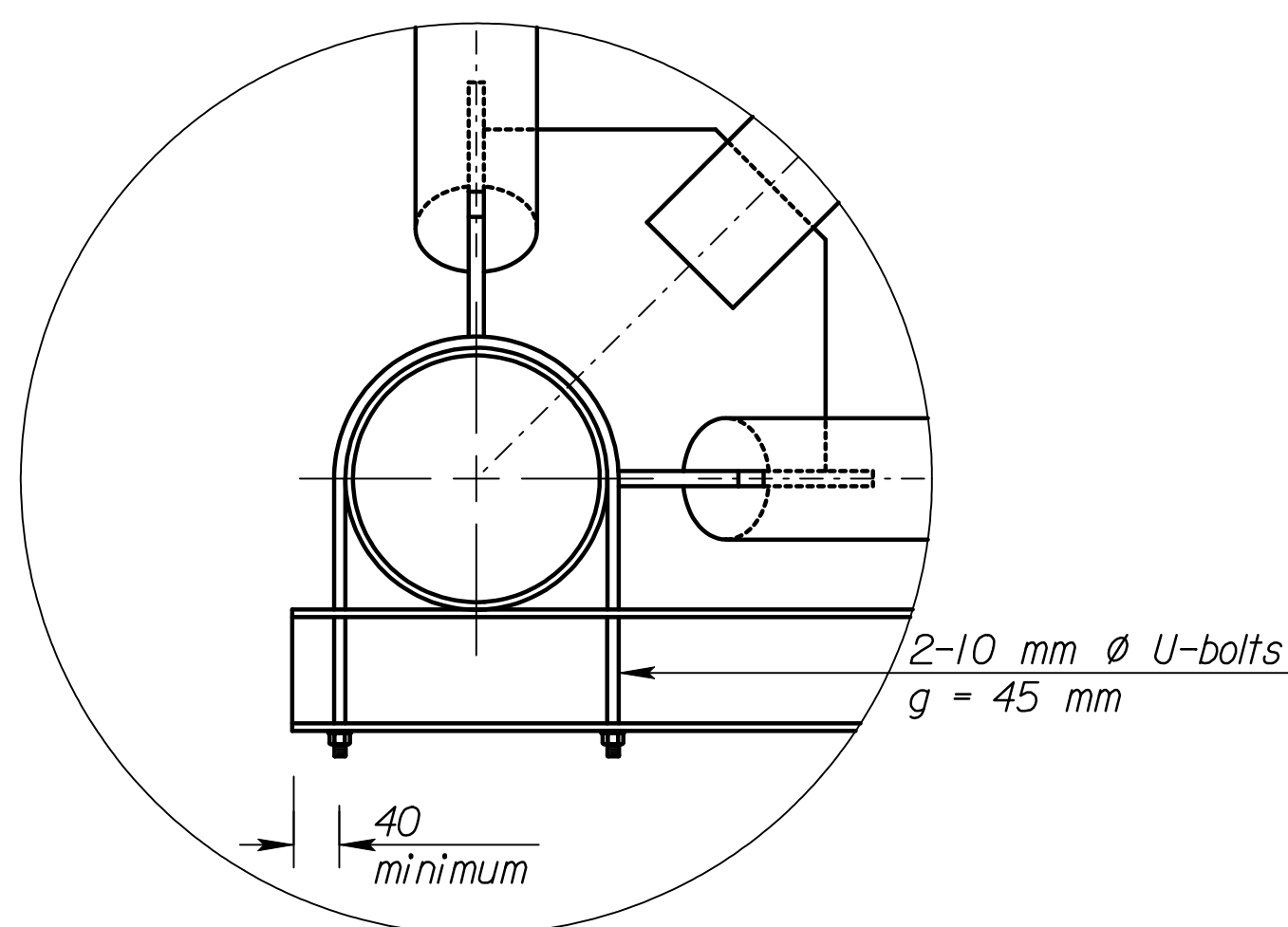
(Only lower truss members shown)



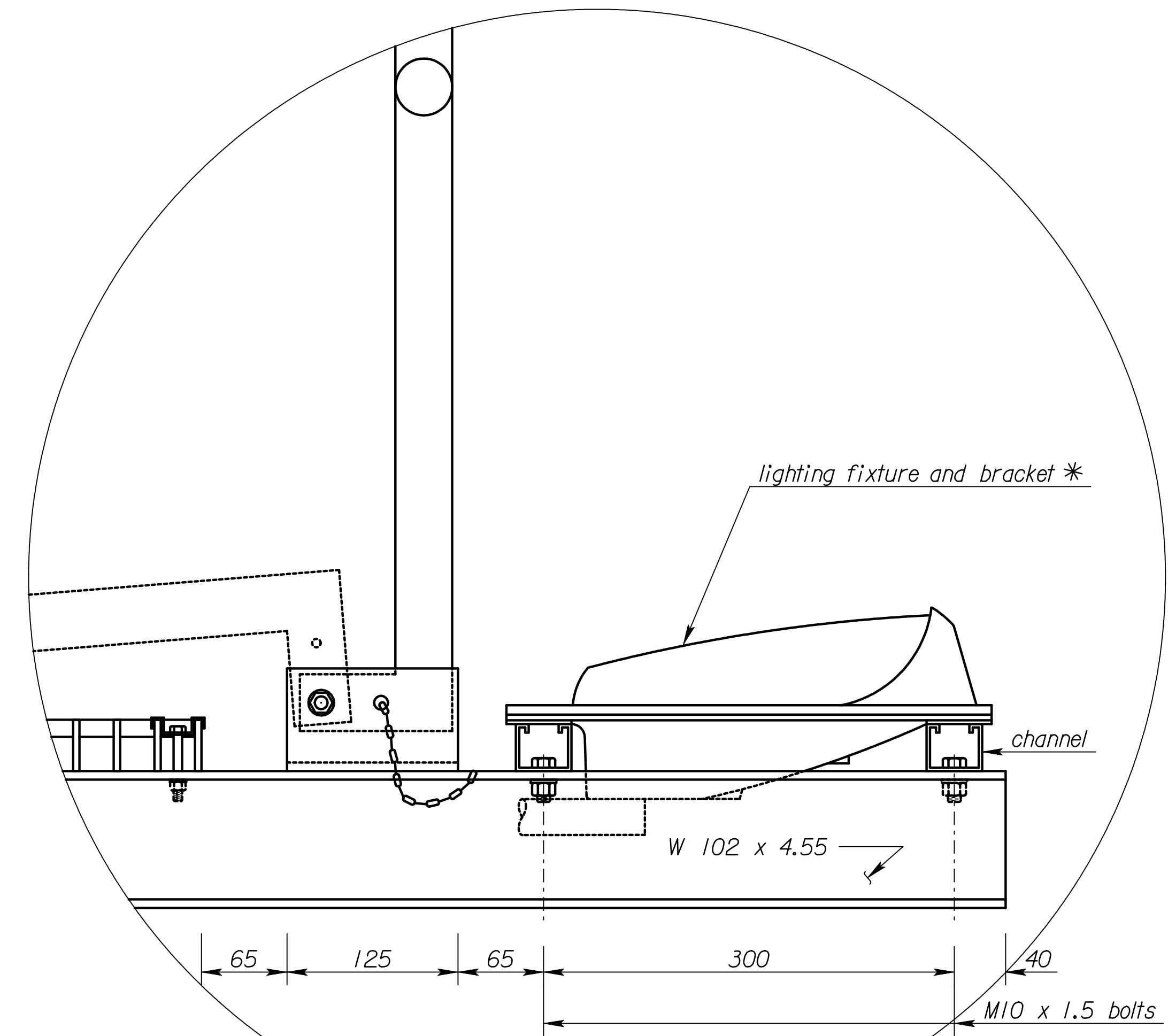
Detail A



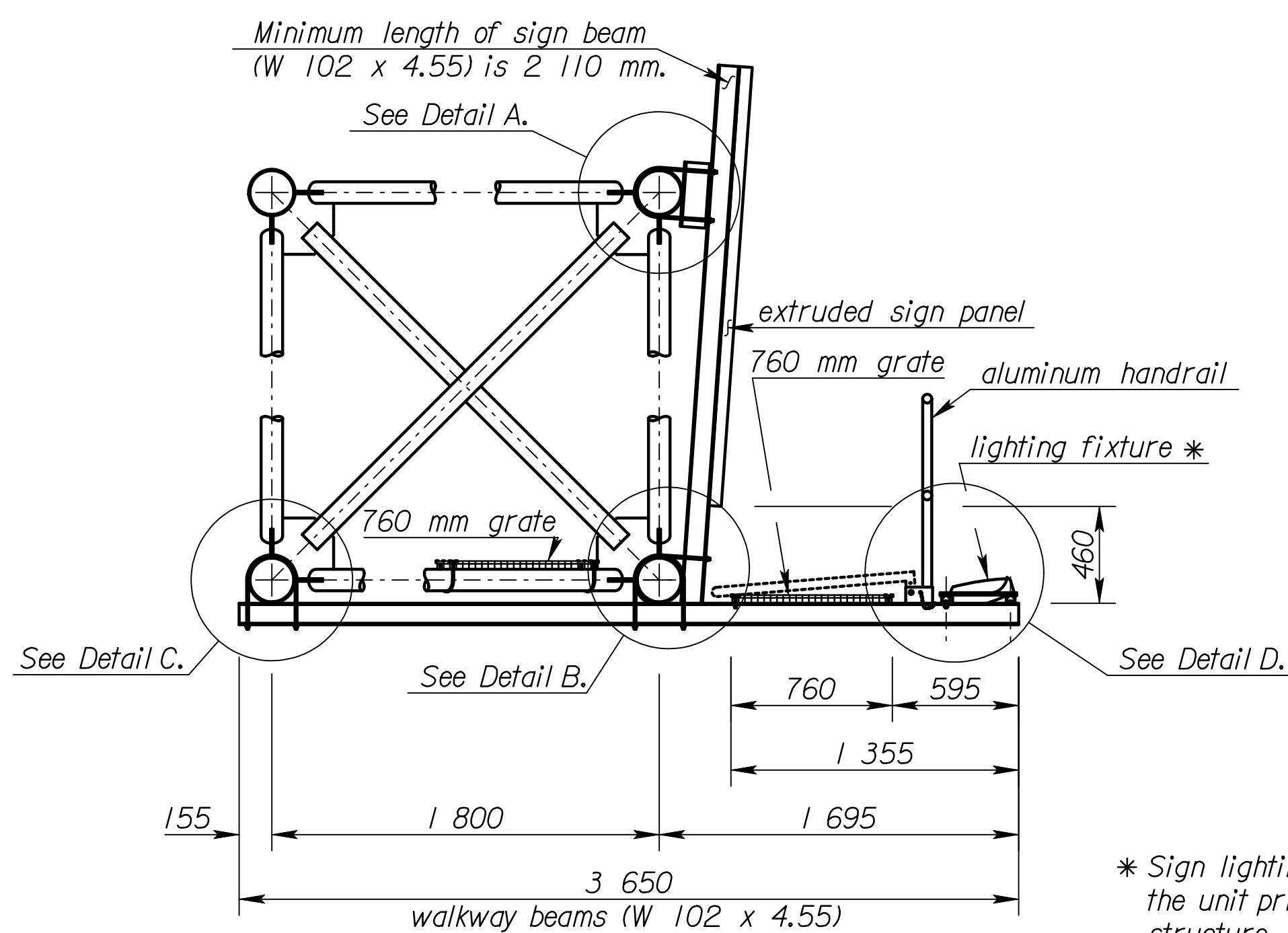
Detail B



Detail C



Detail D



**ELEVATION**

\* Sign lighting is not included in the unit price bid for each structure.

**RECORD DRAWING**

NO.	DATE	REVISIONS	BY	APP'D
<b>KANSAS DEPARTMENT OF TRANSPORTATION</b> <b>STANDARD STRUCTURAL SIGN SUPPORTS</b> <b>SPAN TYPE OVERHEAD</b> <b>ALUMINUM ALTERNATE</b> <b>SIGN MOUNTING AND WALKWAY DETAILS</b> <b>SL15IB-08 SI</b>				
FHWA APPROVAL		4-10-97 APP'D	Kenneth F. Hurst	
DESIGNED	BFM	DETAILED	JD/RH	QUANTITIES
DESIGN CK.	KFH	DETAIL CK.	KFH	QUAN. CK.
			CADD	DJE
			CADD	LES

Scale = 1/8" = 1'-0" L:\1997\97362\As-Builts\dgn\Vol 4\SH 775-KDOT STD-Sign-15\bsi.dgn Last Rev: 10-4-07 Bjs: gdr