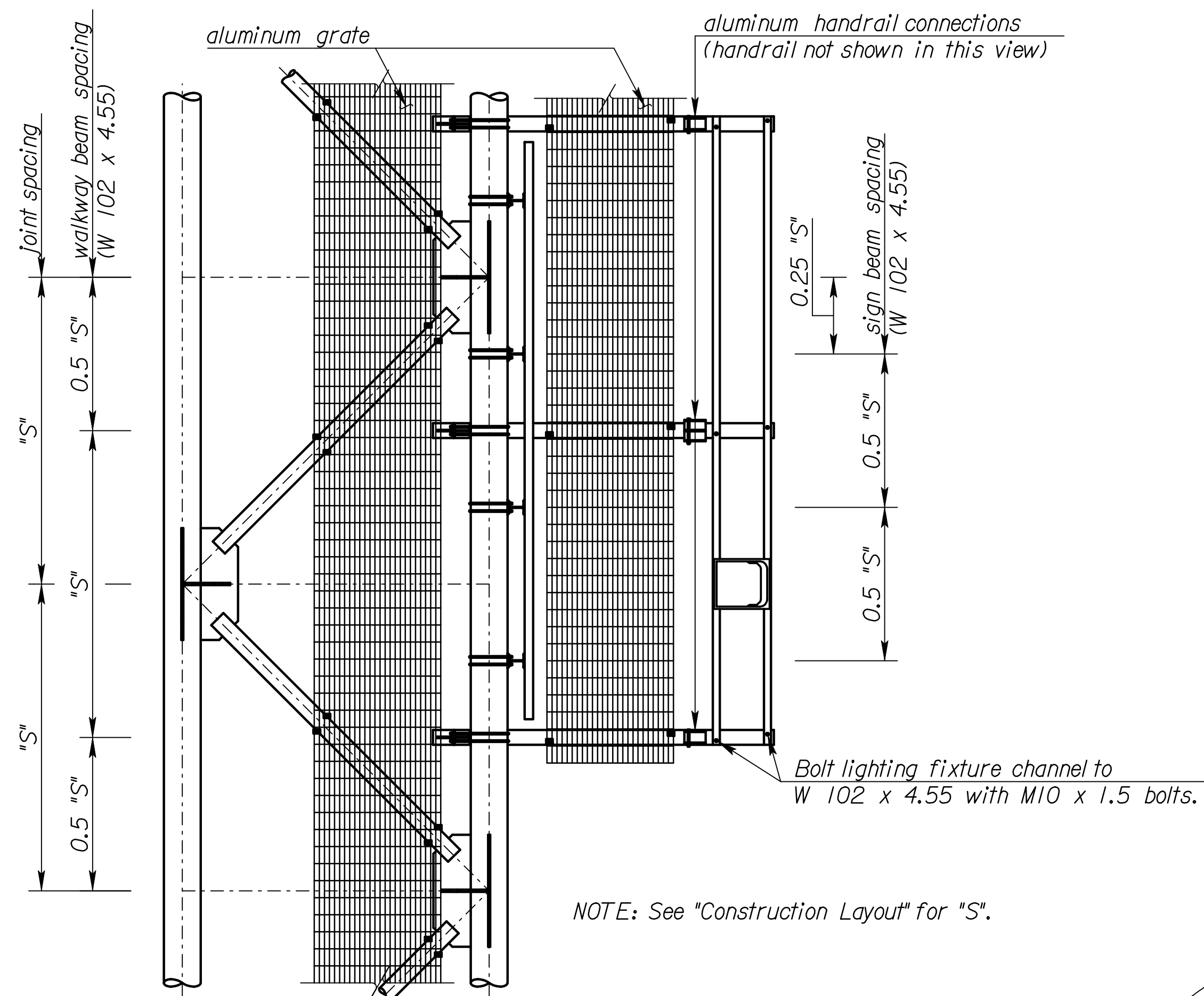
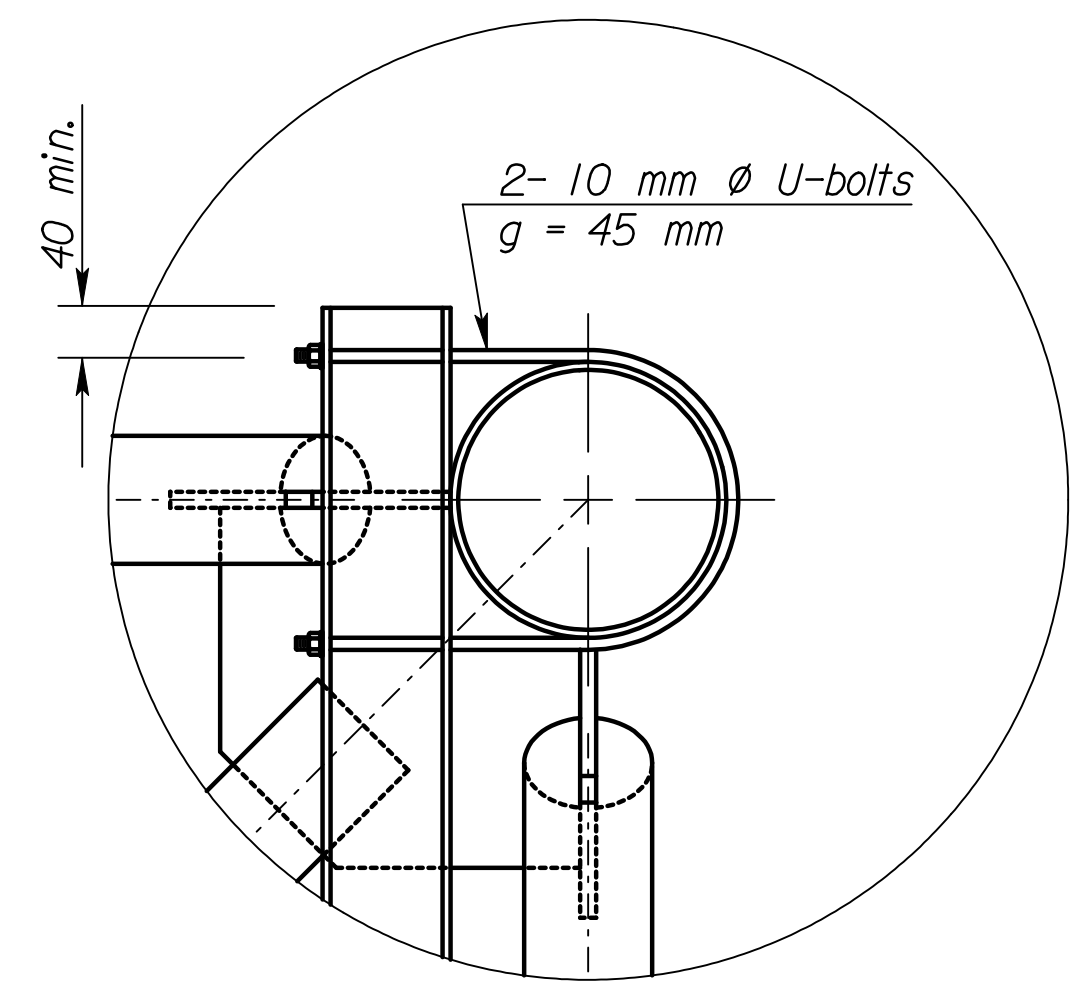


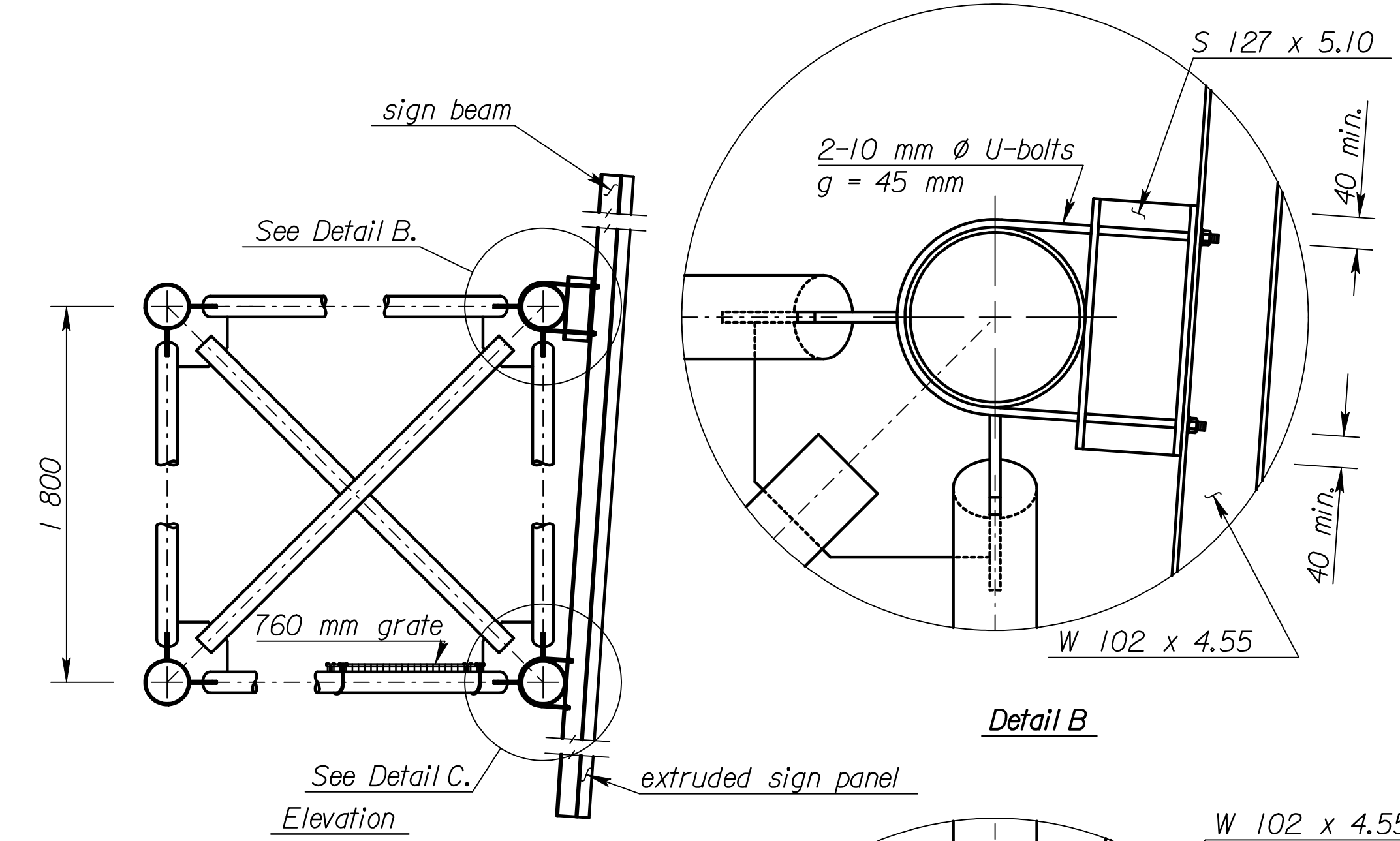
STATE	PROJECT NO.	YEAR	SHEET NO.	TOTAL SHEETS
KANSAS	54-87 K-6657-01	2002	777	1122



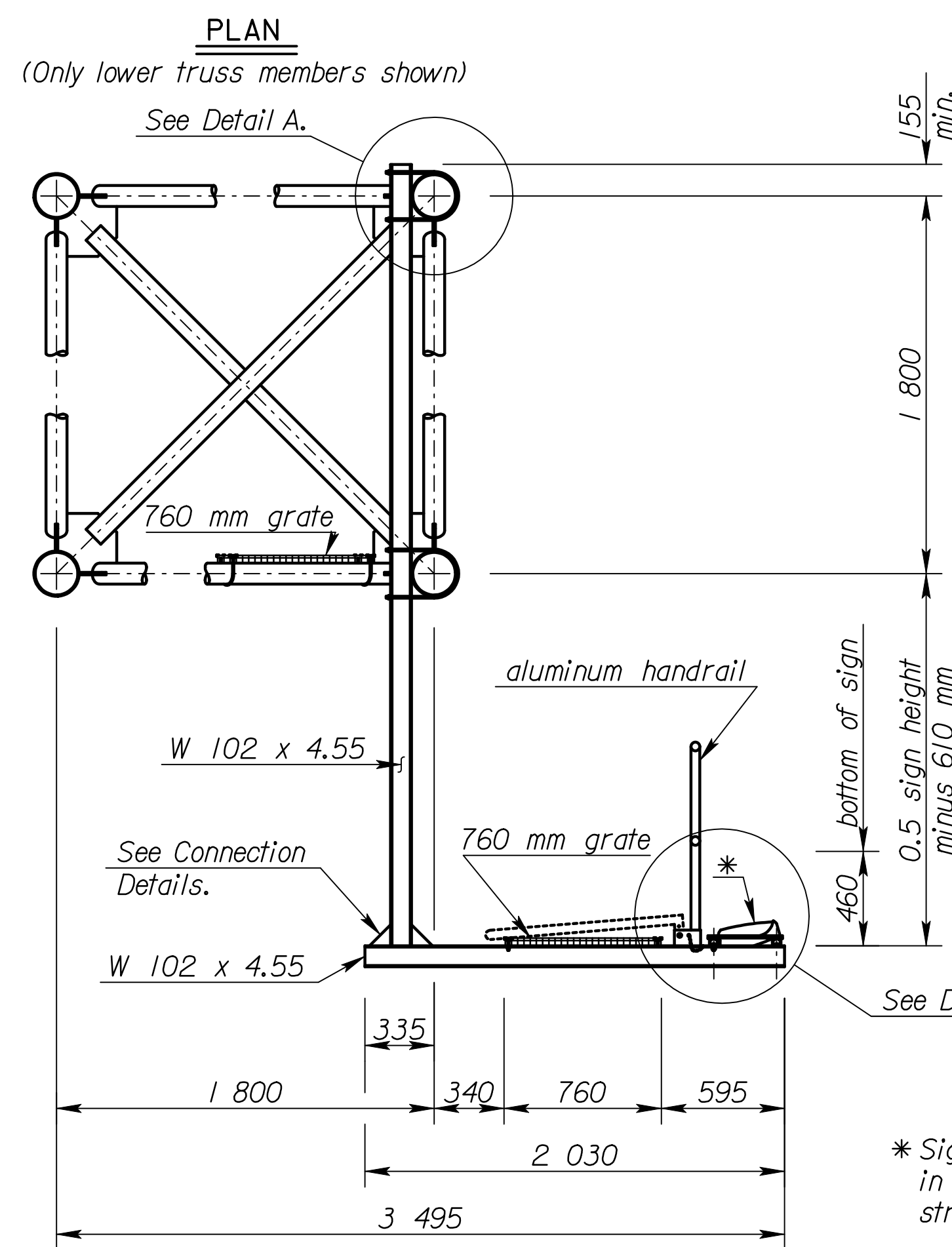
NOTE: See "Construction Layout" for "S".



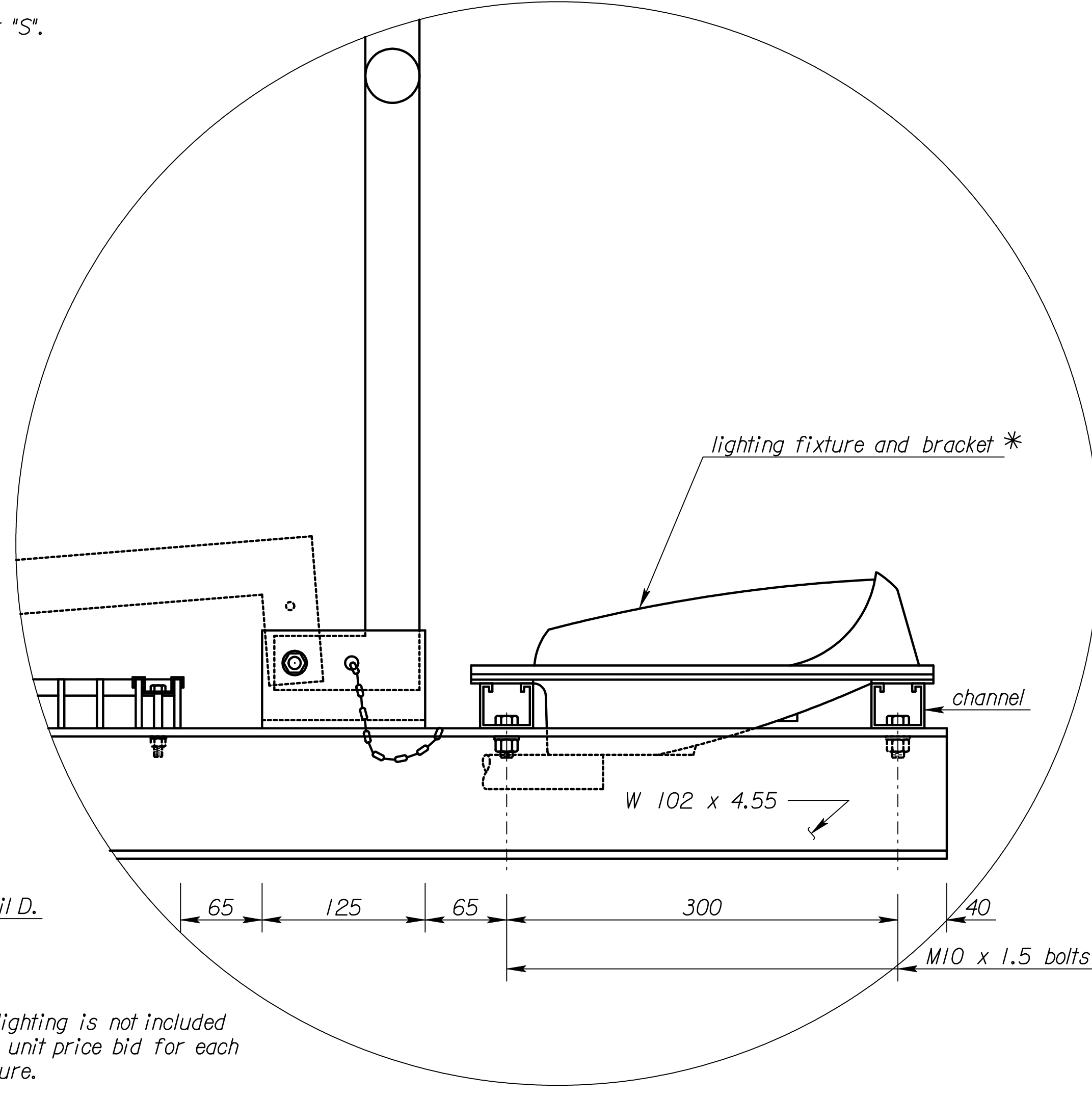
Detail A



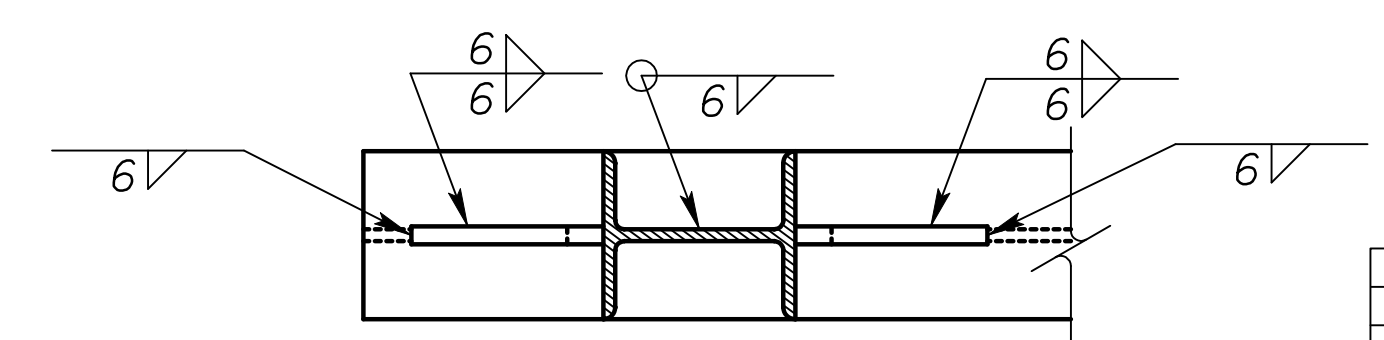
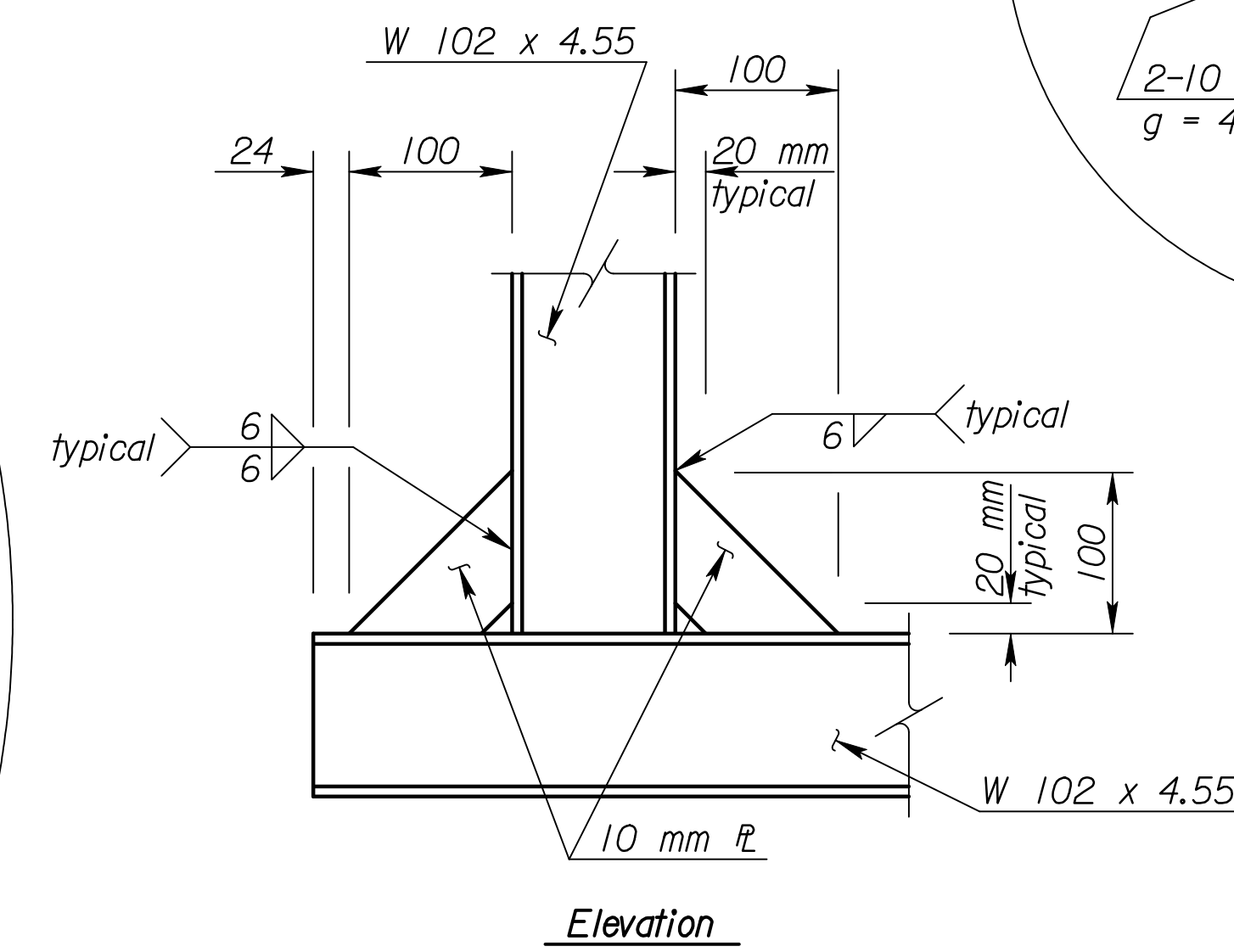
SIGN BEAM CONNECTION



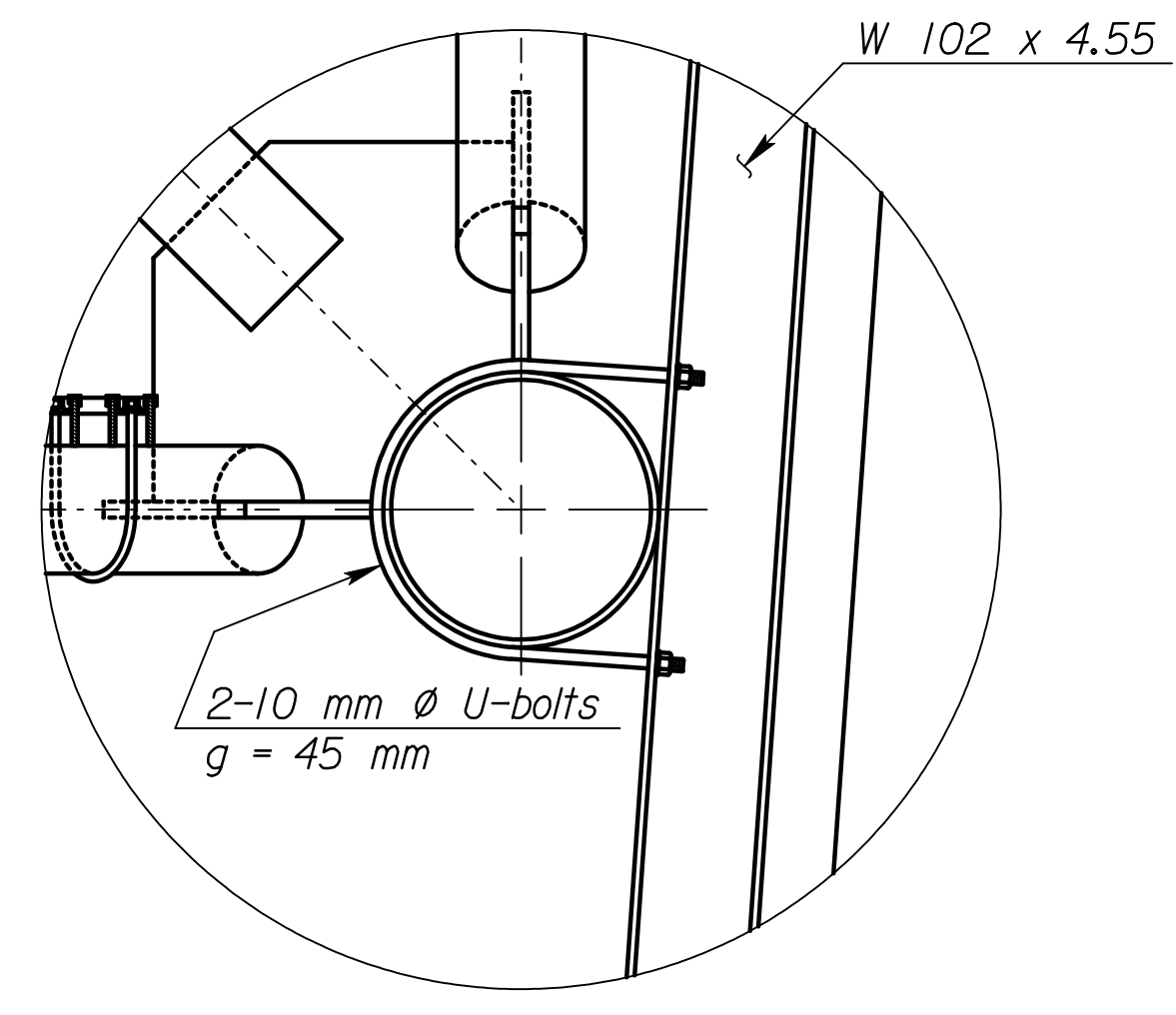
WALKWAY BEAM CONNECTION



Detail D



CONNECTION DETAILS



RECORD DRAWING

NO.	DATE	REVISIONS	BY	APP'D

KANSAS DEPARTMENT OF TRANSPORTATION  
STANDARD STRUCTURAL SIGN SUPPORTS  
SPAN TYPE OVERHEAD  
ALUMINUM ALTERNATE  
SPECIAL SIGN MOUNTING AND WALKWAY DETAILS  
SL15IB-10 SI SEDGWICK CO.

DESIGNED	LES	DATE	4-10-97	APP'D	Kenneth F. Hurst
DESIGN CK.	BR	DETAIL CK.	BR	QUANTITIES	CADD

Scale = 1/8" = 1'-0"  
1/1/1997/97362/As-Builts/dgn/s/Vol 4/SH 777-KDOT STD-Sign-15/bsi.dgn Last Rev: 10-4-07 Bjr: gdr