

| | | | | |
|--------|-----------------|------|-----------|--------------|
| STATE | PROJECT NO. | YEAR | SHEET NO. | TOTAL SHEETS |
| KANSAS | 54-87 K-6657-01 | 2002 | 779 | 1122 |

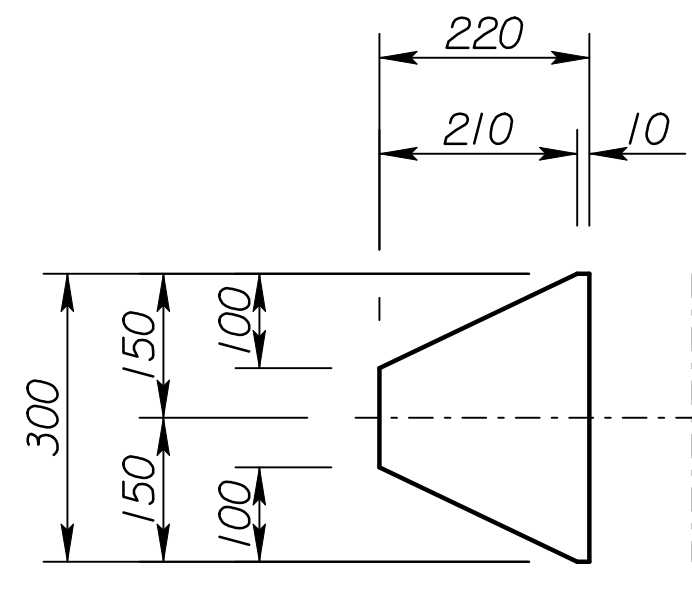
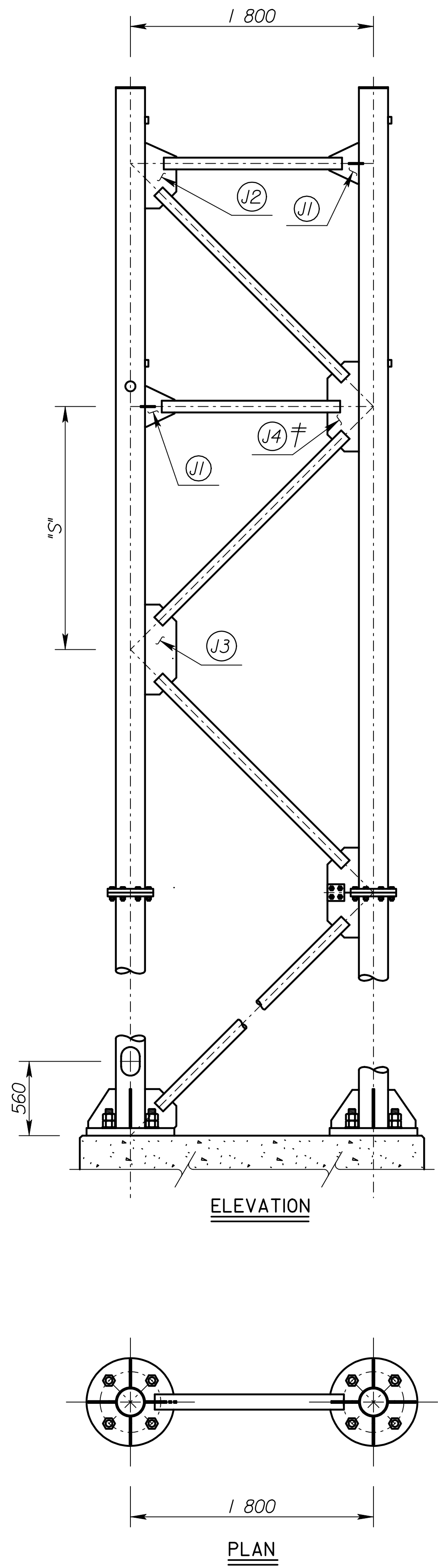


PLATE J1A
(10 mm R)

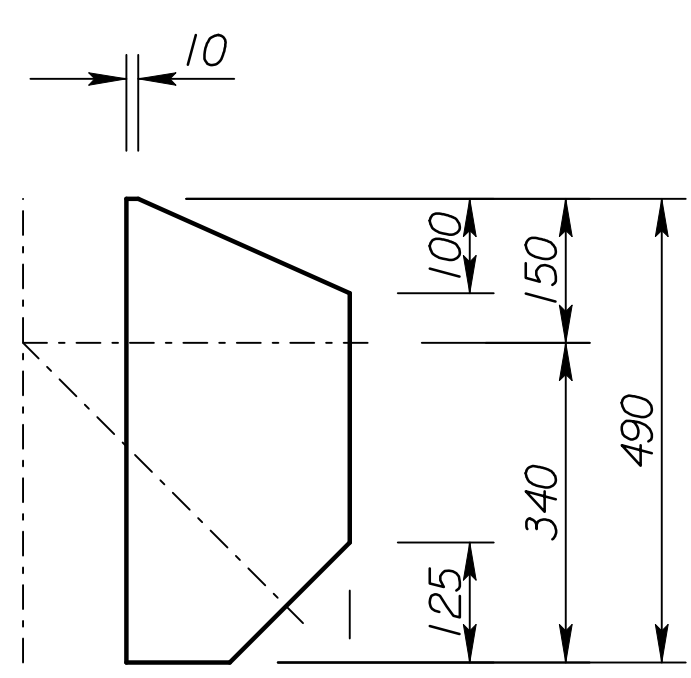


PLATE J2
(10 mm R)

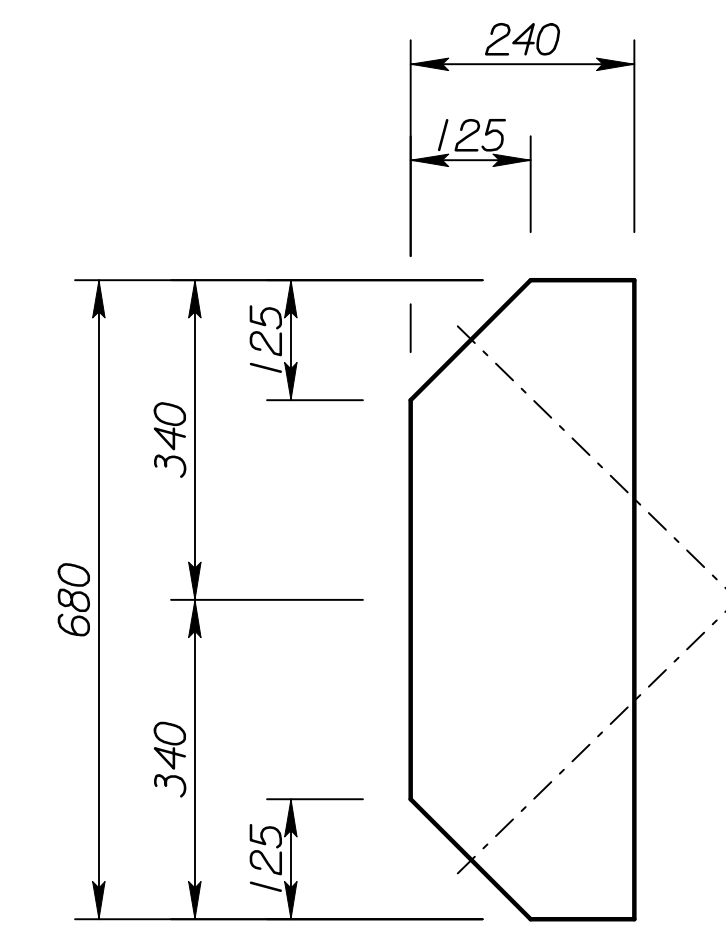


PLATE J3
(10 mm R)

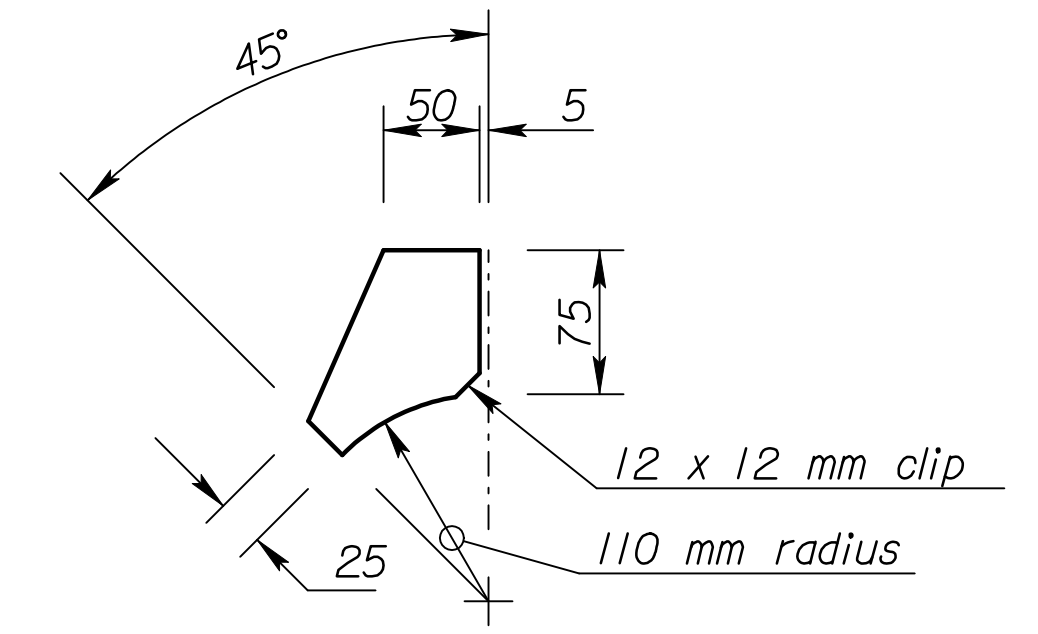
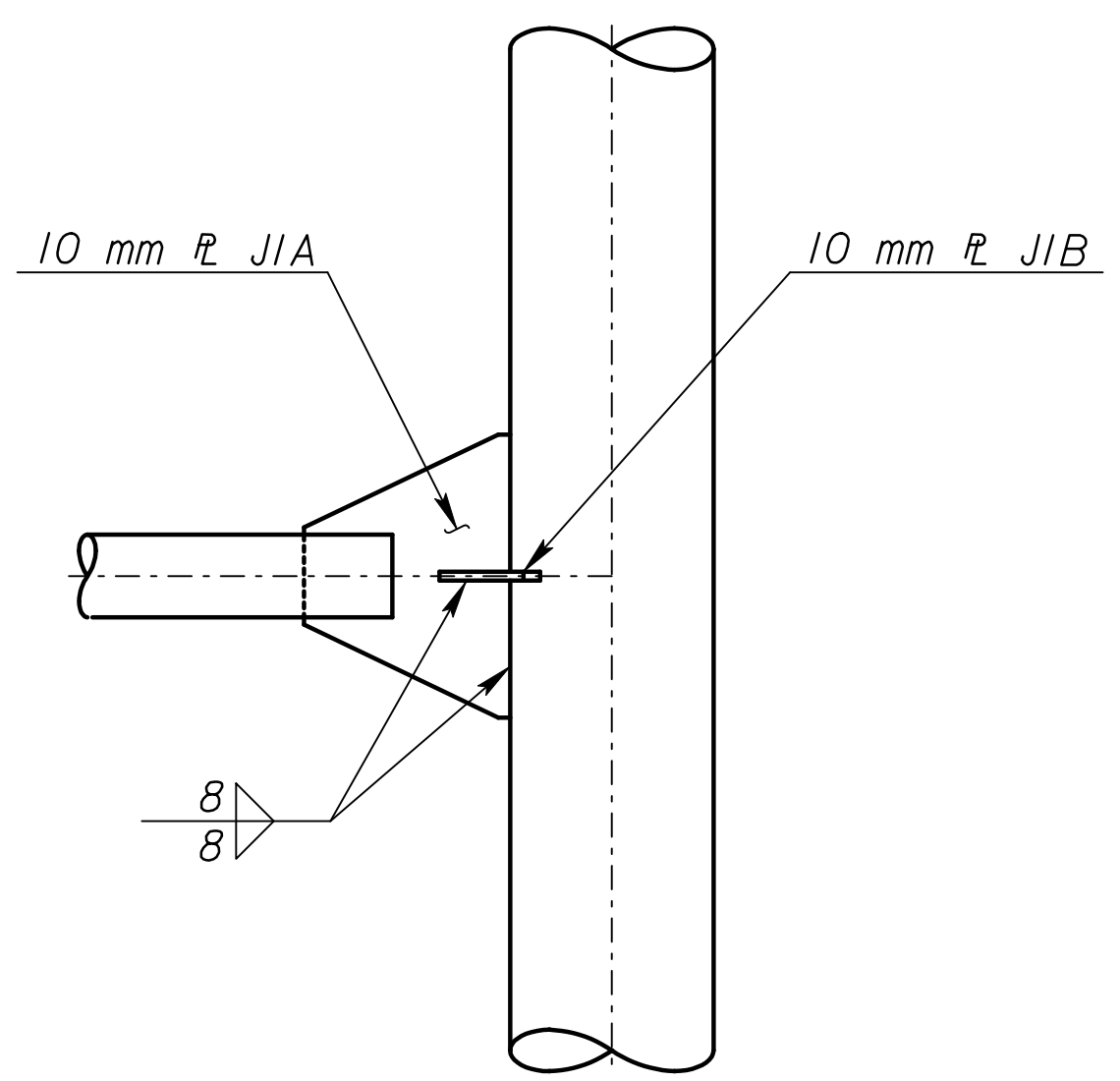
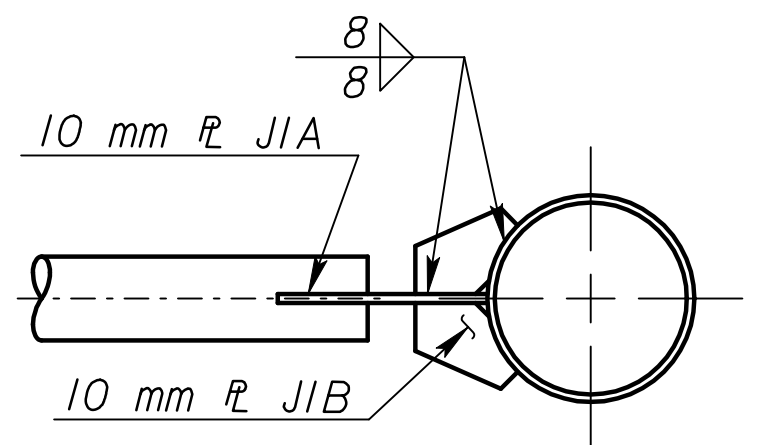


PLATE J1B
(10 mm R)

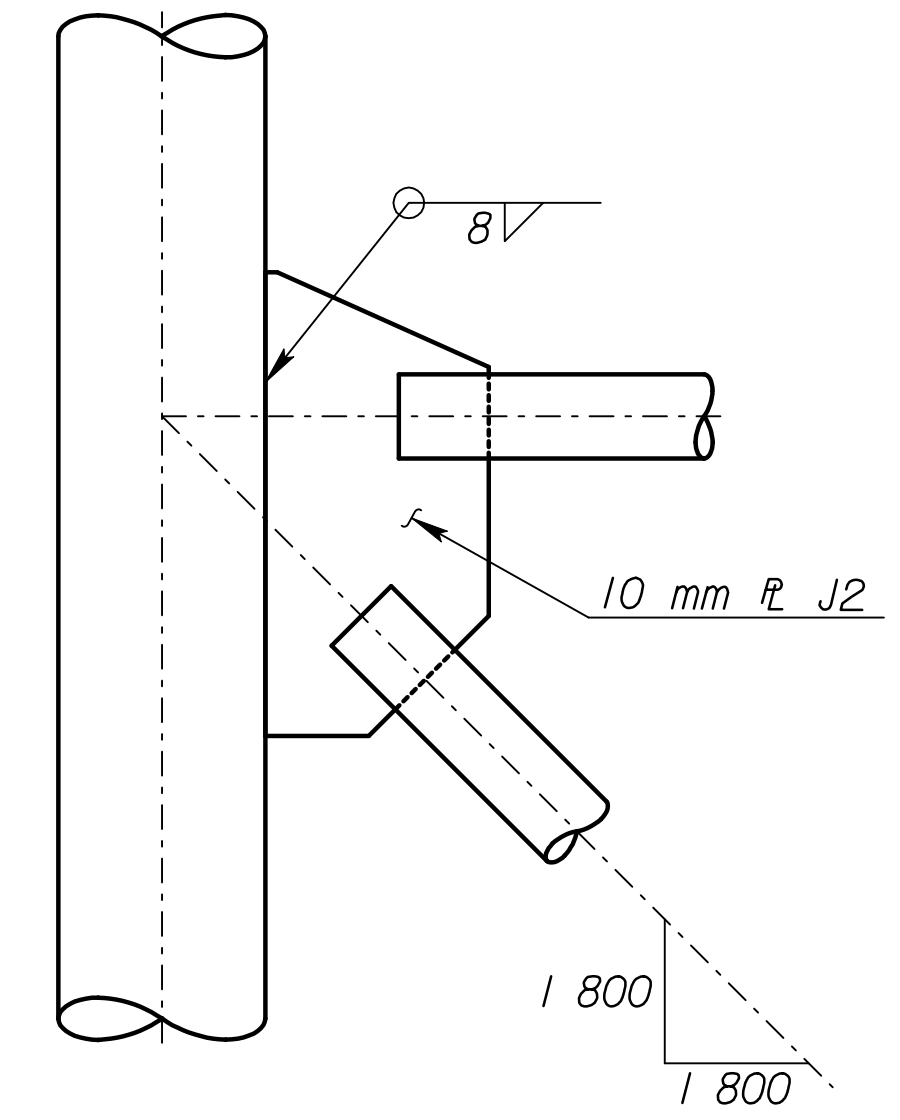


Elevation

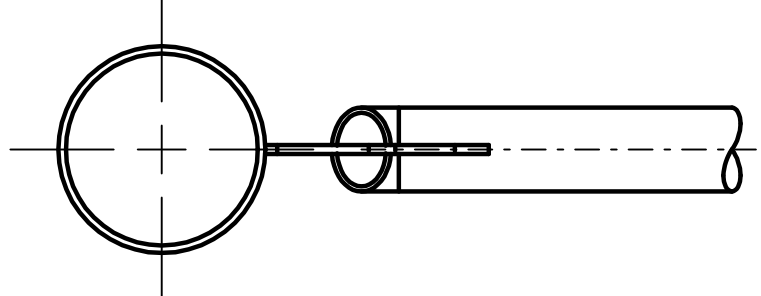


Section

DETAILS JOINT J1

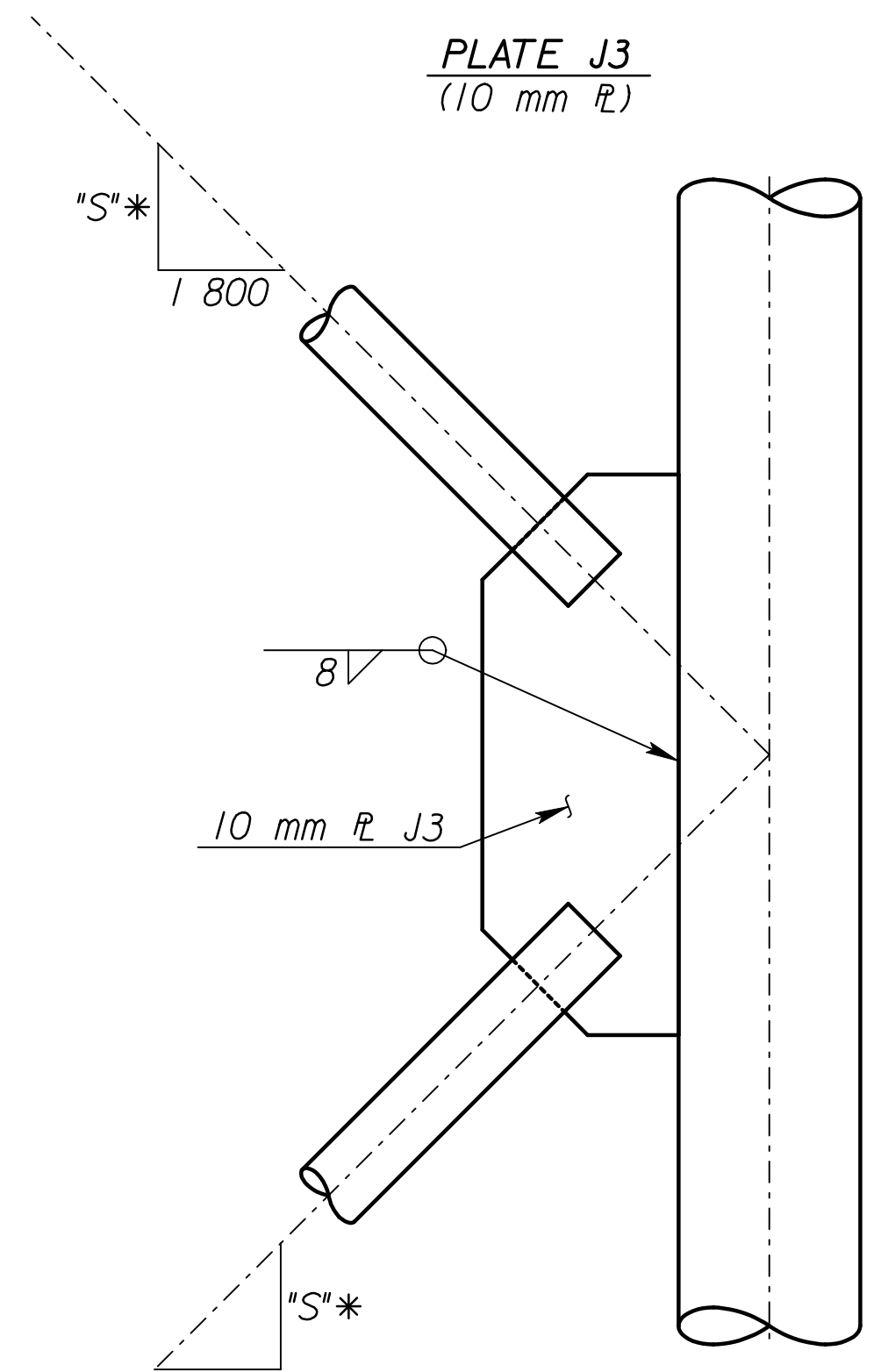


Elevation

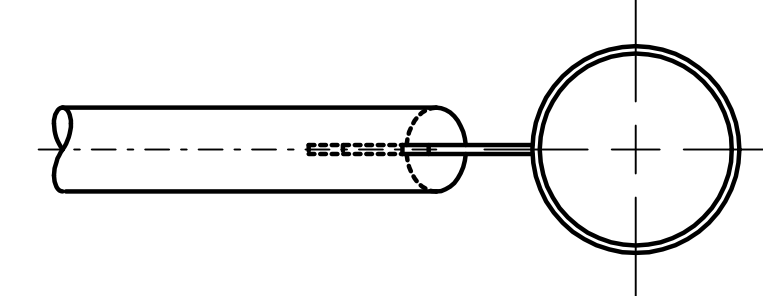


Section

DETAILS JOINT J2



Elevation



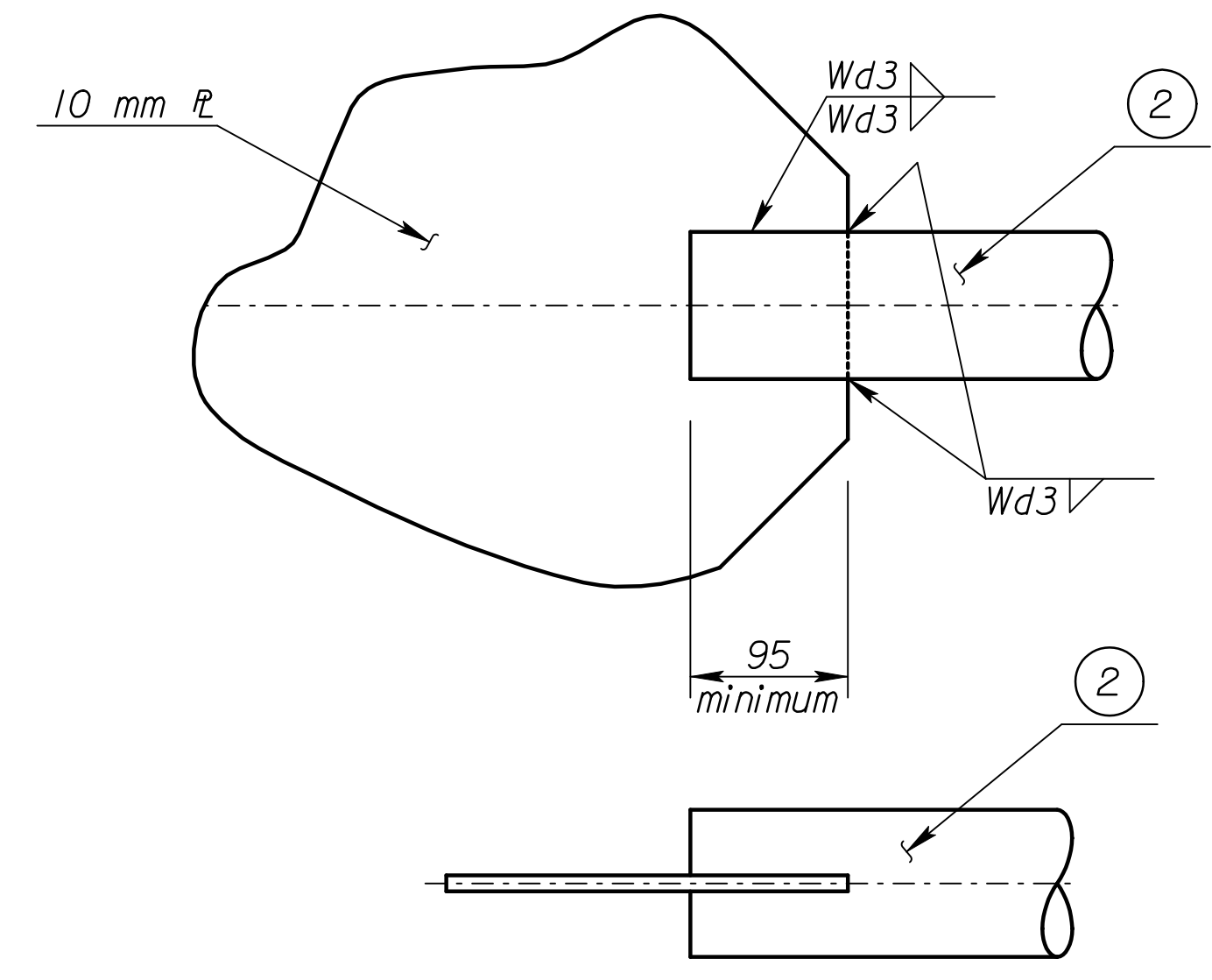
Section

DETAILS JOINT J3

≠ Note: Joint J4 is identical to J3 except J4 has an additional member (See End Support Elevation).

| Member ② * wall thickness | Fillet Weld size Wd3 |
|------------------------------|-------------------------|
| 3.18 | 5 |
| 5.49 | 6 |
| 7.62 | 8 |

* See "Construction Layout" for wall thickness and "S"



TYPICAL WELDED JOINT
STEEL NOT USED

| NO. | DATE | REVISIONS | BY | APP'D |
|--|------|------------|-----|------------|
| KANSAS DEPARTMENT OF TRANSPORTATION STANDARD STRUCTURAL SIGN SUPPORTS SPAN TYPE OVERHEAD STEEL ALTERNATE END SUPPORT JOINT DETAILS SL151C-02 81 SEGWICK CO. | | | | |
| DESIGNER | BFM | DESIGNED | KFH | QUANTITIES |
| DESIGN CK. | RDH | DETAIL CK. | RDH | QUAN. CK. |
| CADD | DJE | CADD | DJE | CADD |
| CADD | LES | CADD | LES | CADD |

RECORD DRAWING

Scale = 1/8" = 1'-0"
I:\1997\97362\As-Builts\dgn\Vol 4\SH 779-KDOT STD-Sign-151csi.dgn Last Rev: 10-4-07 By: gdr