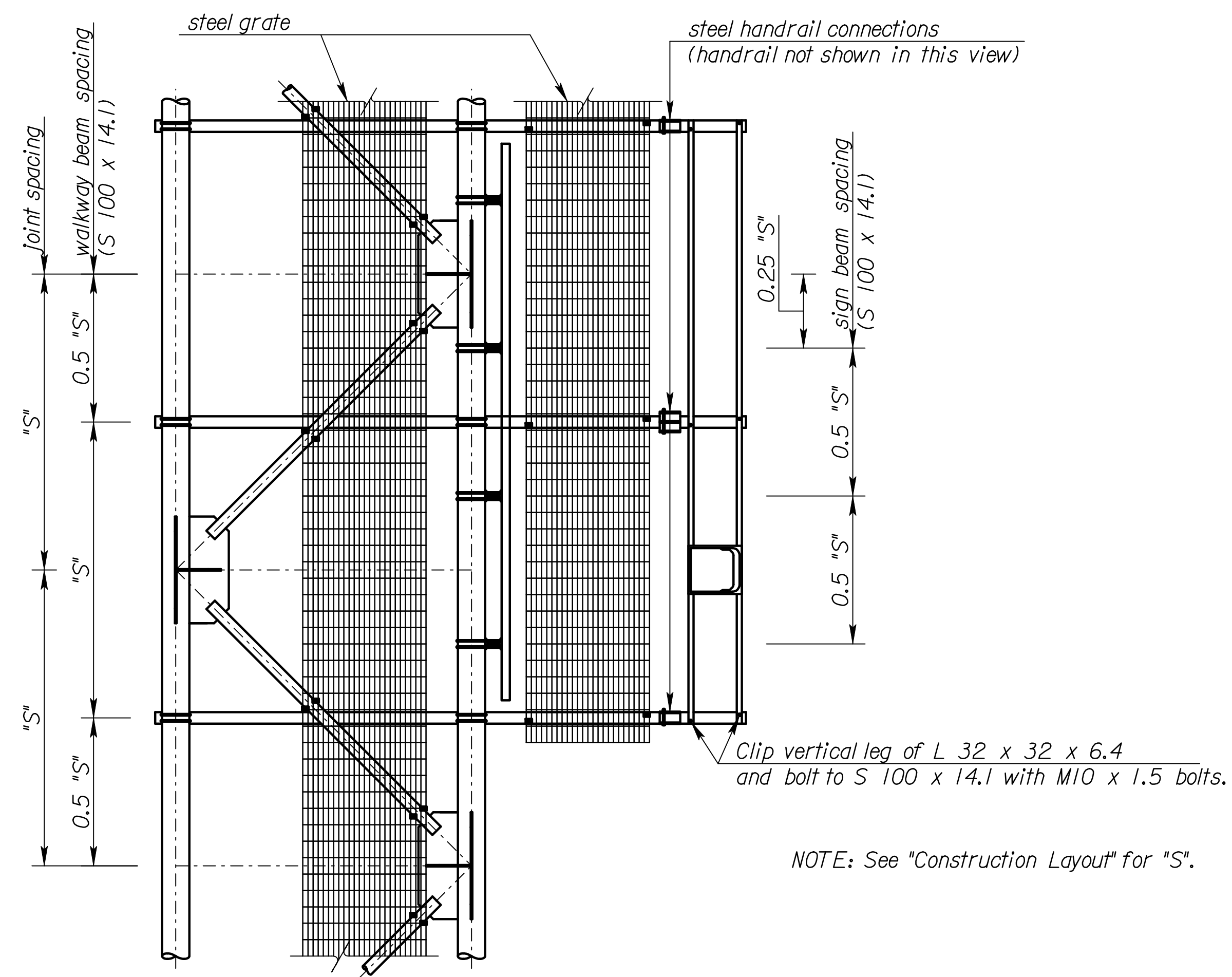
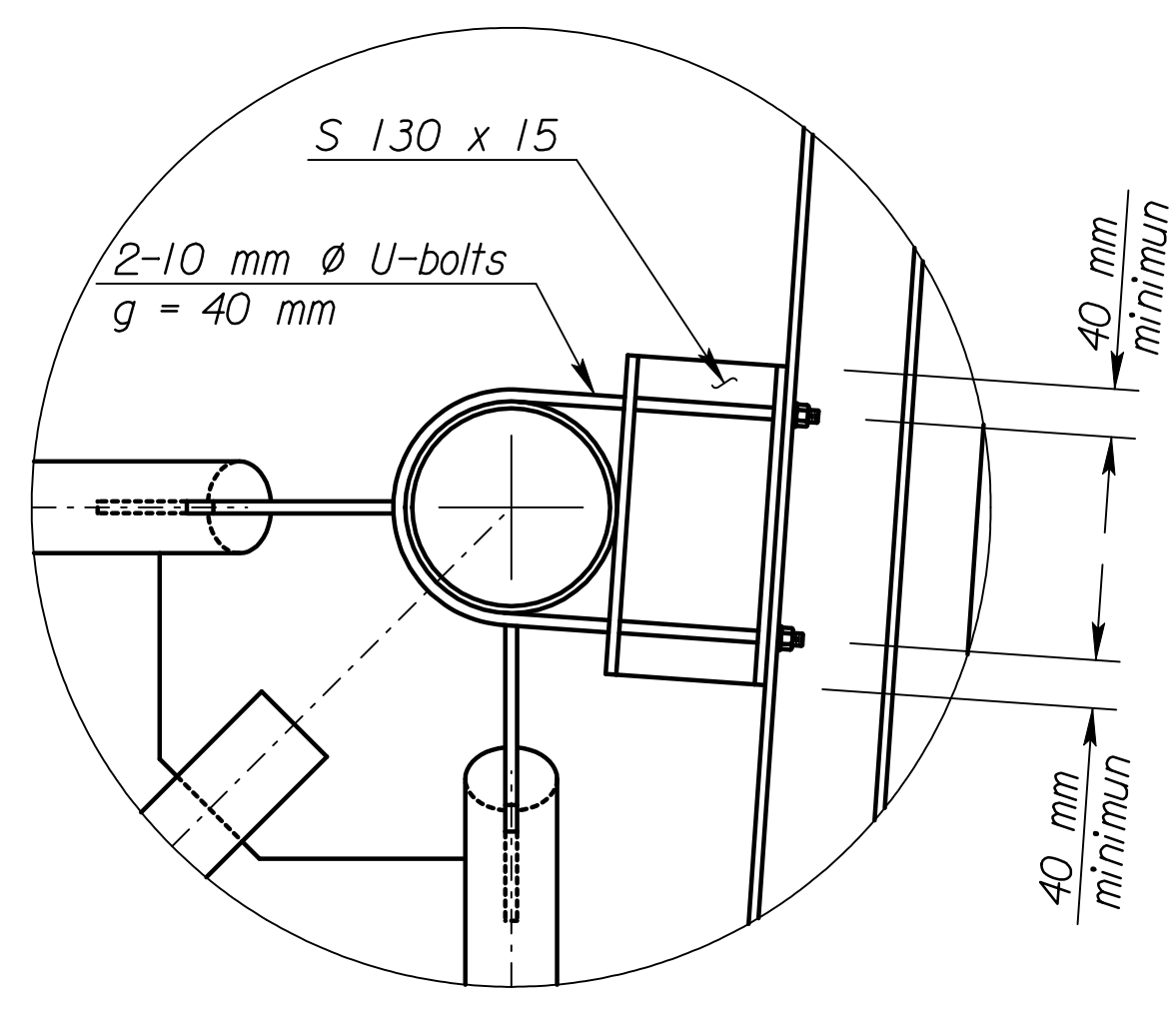


STATE	PROJECT NO.	YEAR	SHEET NO.	TOTAL SHEETS
KANSAS	54-87 K-6657-01	2002	786	1122

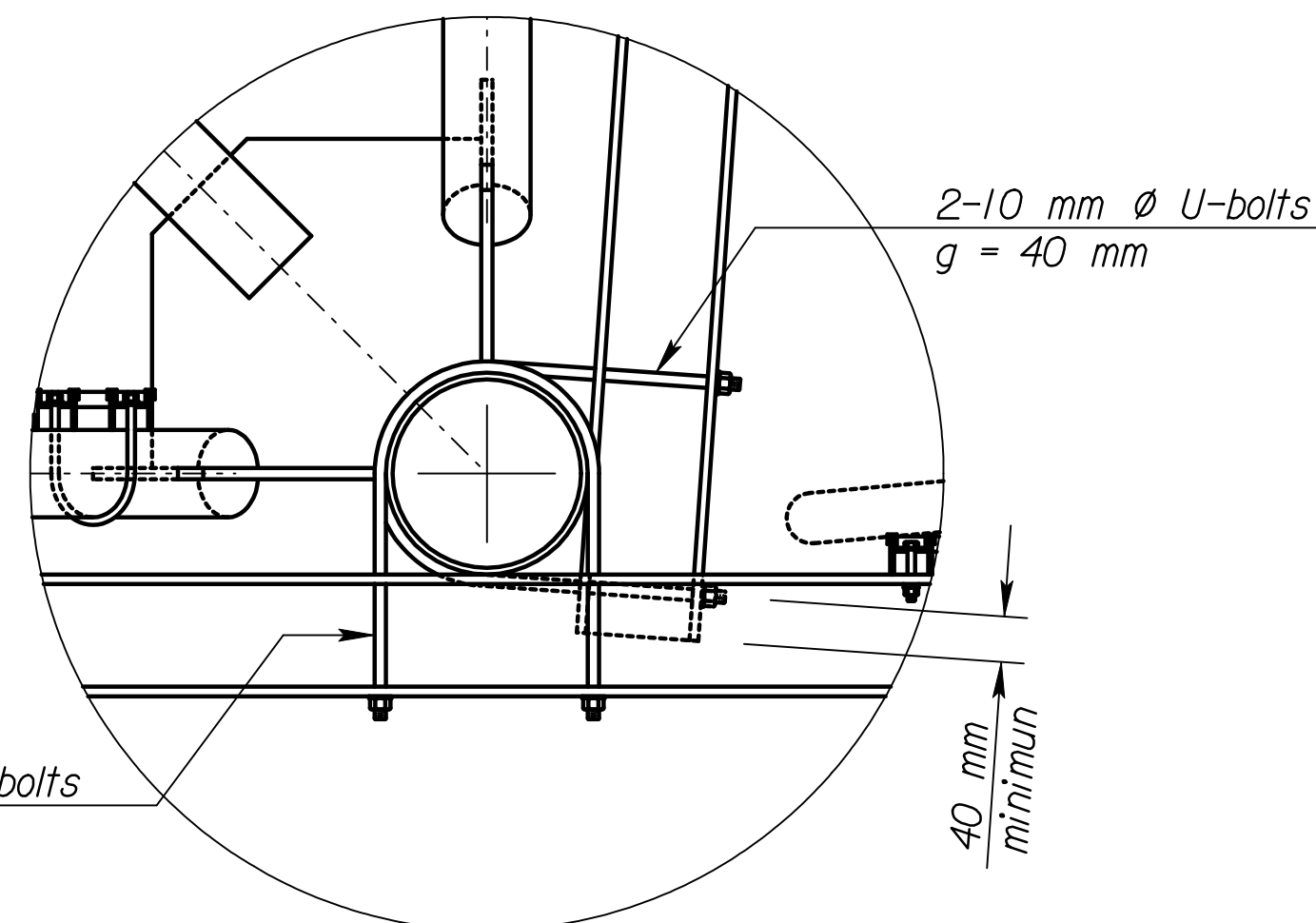


**PLAN**  
(Only lower truss members shown.)

NOTE: See "Construction Layout" for "S".

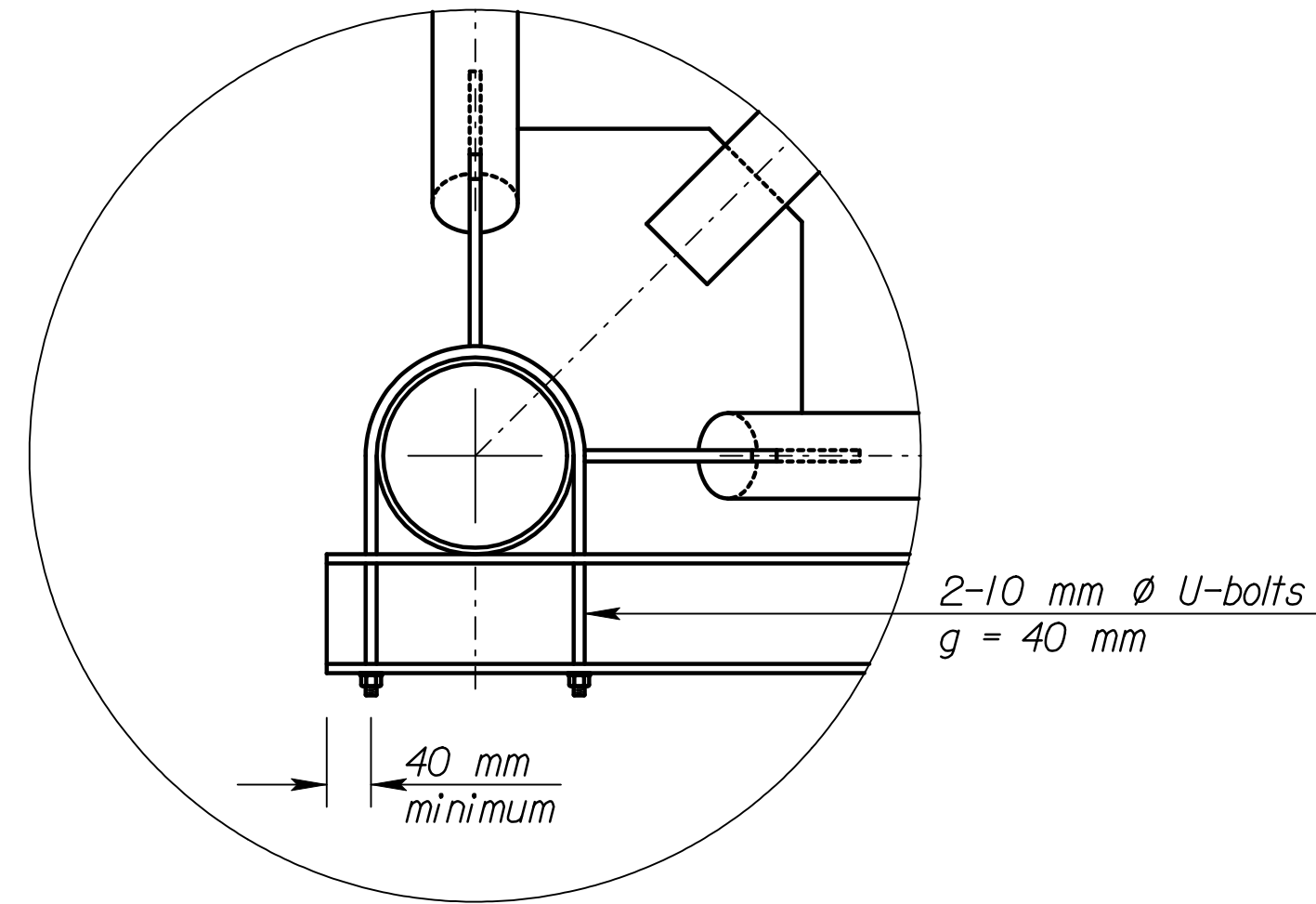


Detail A

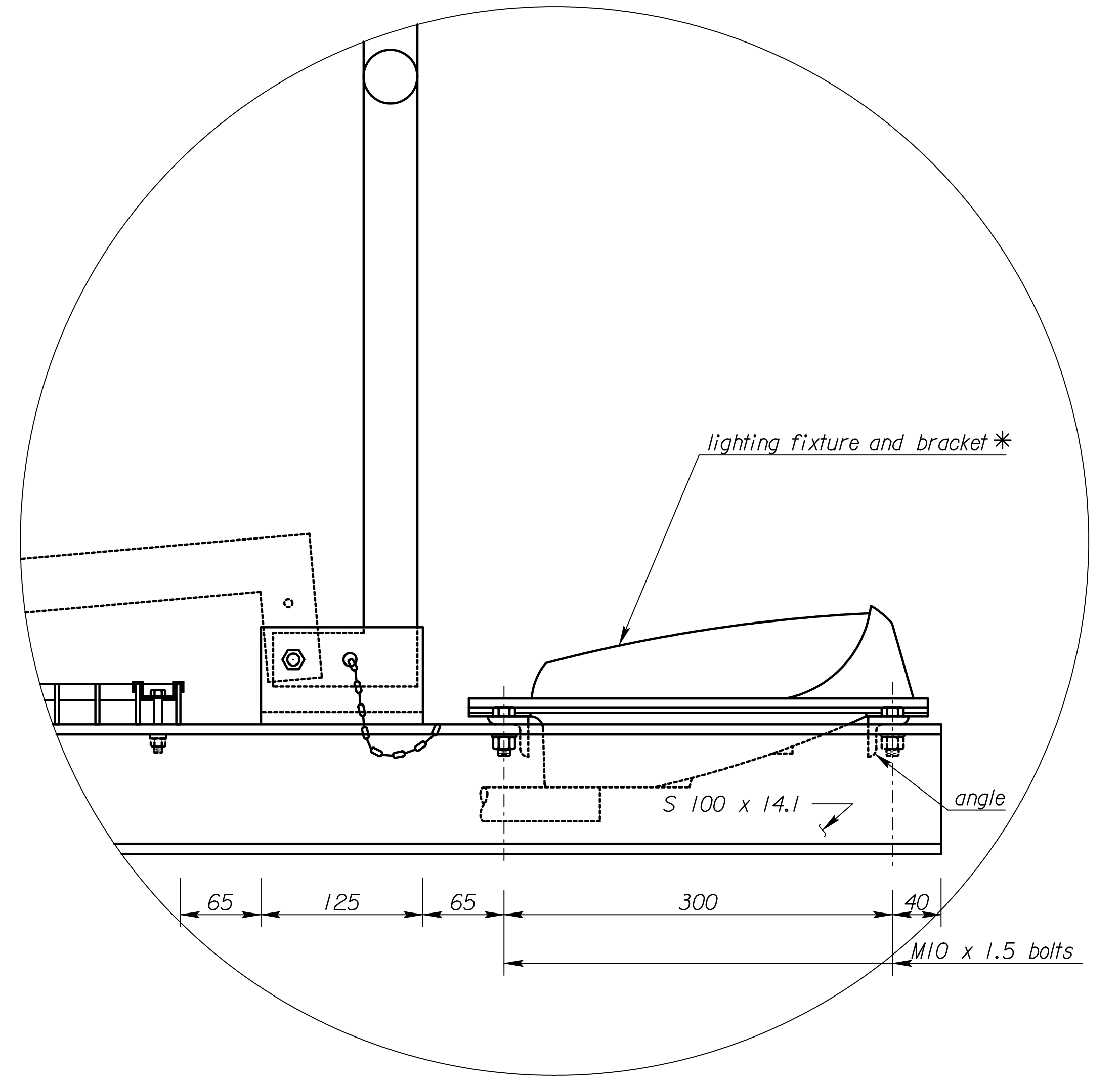


Detail B

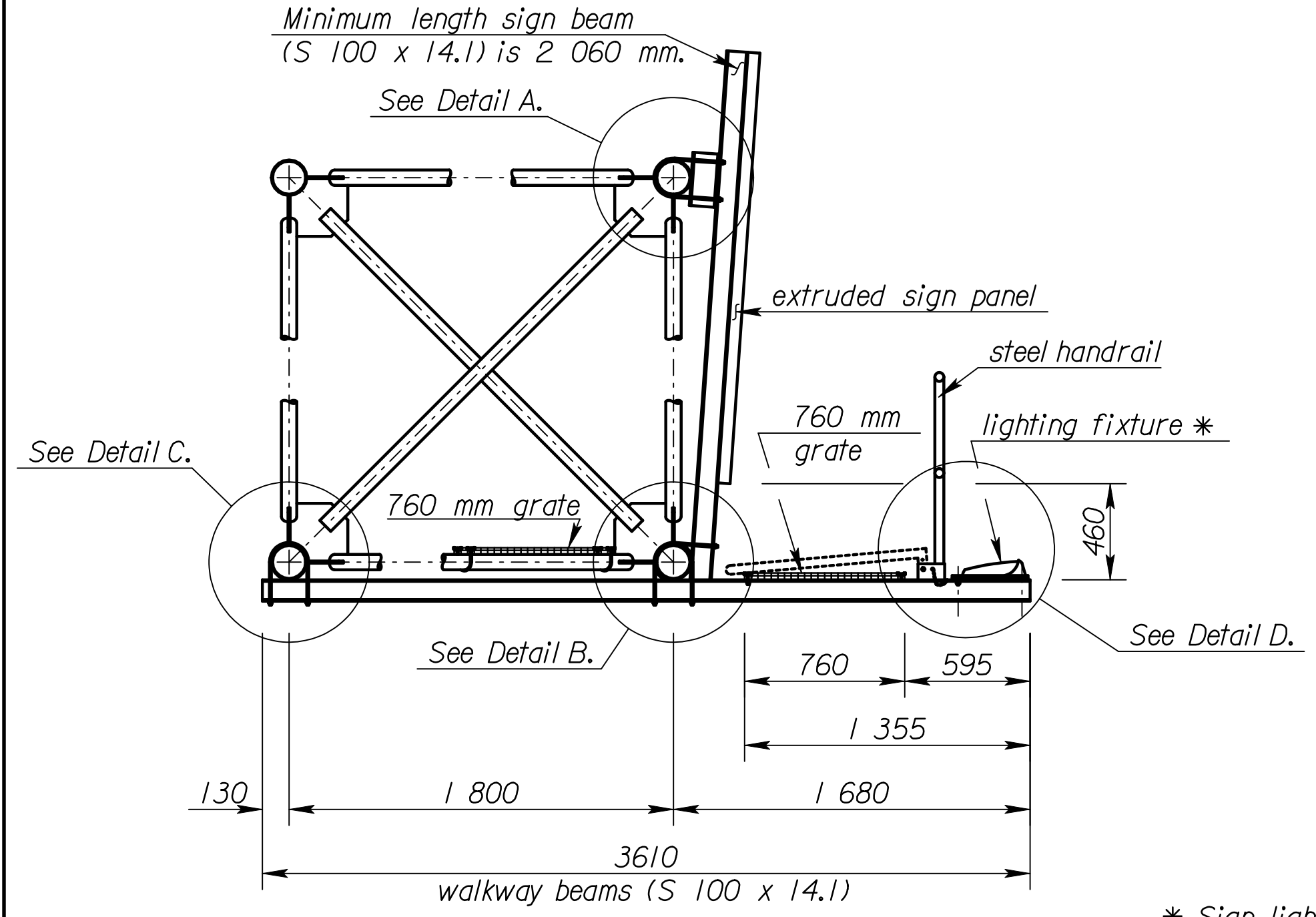
2-10 mm  $\emptyset$  U-bolts  
g = 40 mm



Detail C



Detail D



**ELEVATION**

\* Sign lighting is not included in the unit price bid for each structure.

STEEL NOT USED

NO.	DATE	REVISIONS	BY	APP'D
KANSAS DEPARTMENT OF TRANSPORTATION STANDARD STRUCTURAL SIGN SUPPORTS SPAN TYPE OVERHEAD STEEL ALTERNATE SIGN MOUNTING AND WALKWAY DETAILS SL15IC-09 ST SEDGWICK CO.				
DESIGNED BY	BFM	DESIGNED BY	JD/RD	QUANTITIES
DESIGN CK.	KFH	DESIGN CK.	KFH	QUAN. CK.
APP'D	4-10-97	APP'D	Kenneth F. Hurst	
CADD		CADD	DJE	
CADD		CADD	LES	

**RECORD DRAWING**

Scale = 1/8" = 1'-0"  
I:/1997/97362/As-Builts/dgn/s/Vol 4/SH 786-KDOT STD-Sign-15/csi.dgn Last Rev: 10-4-07 Bjs: gdr