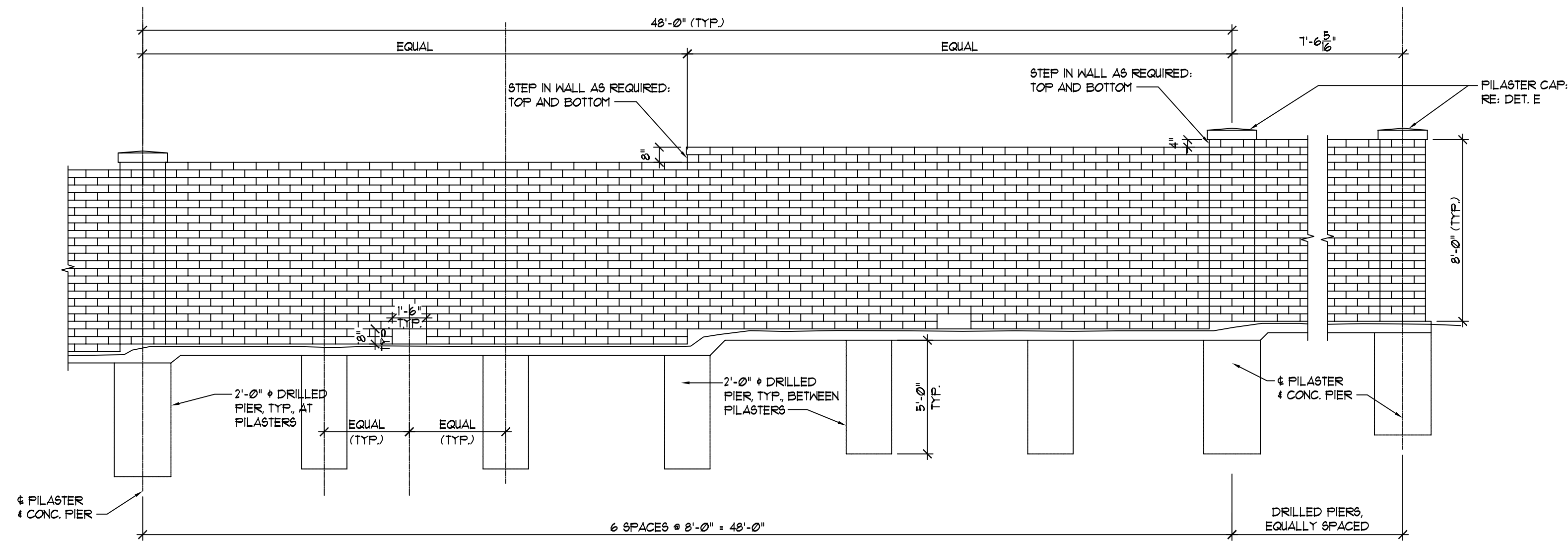
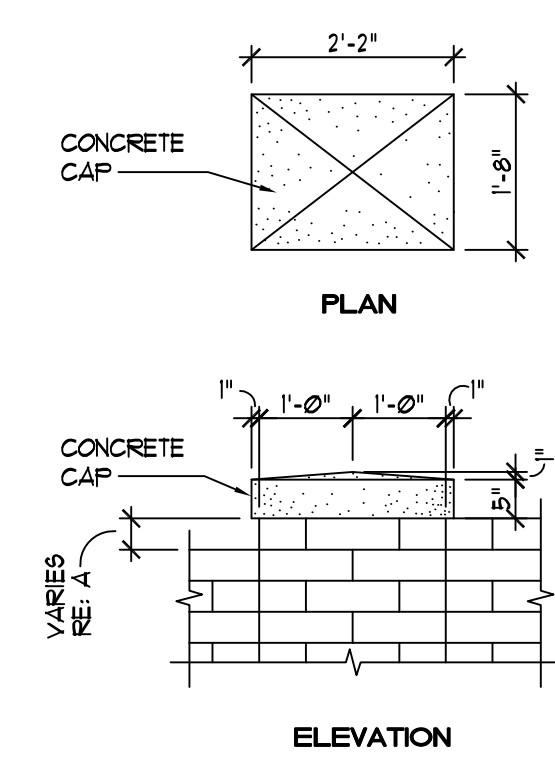


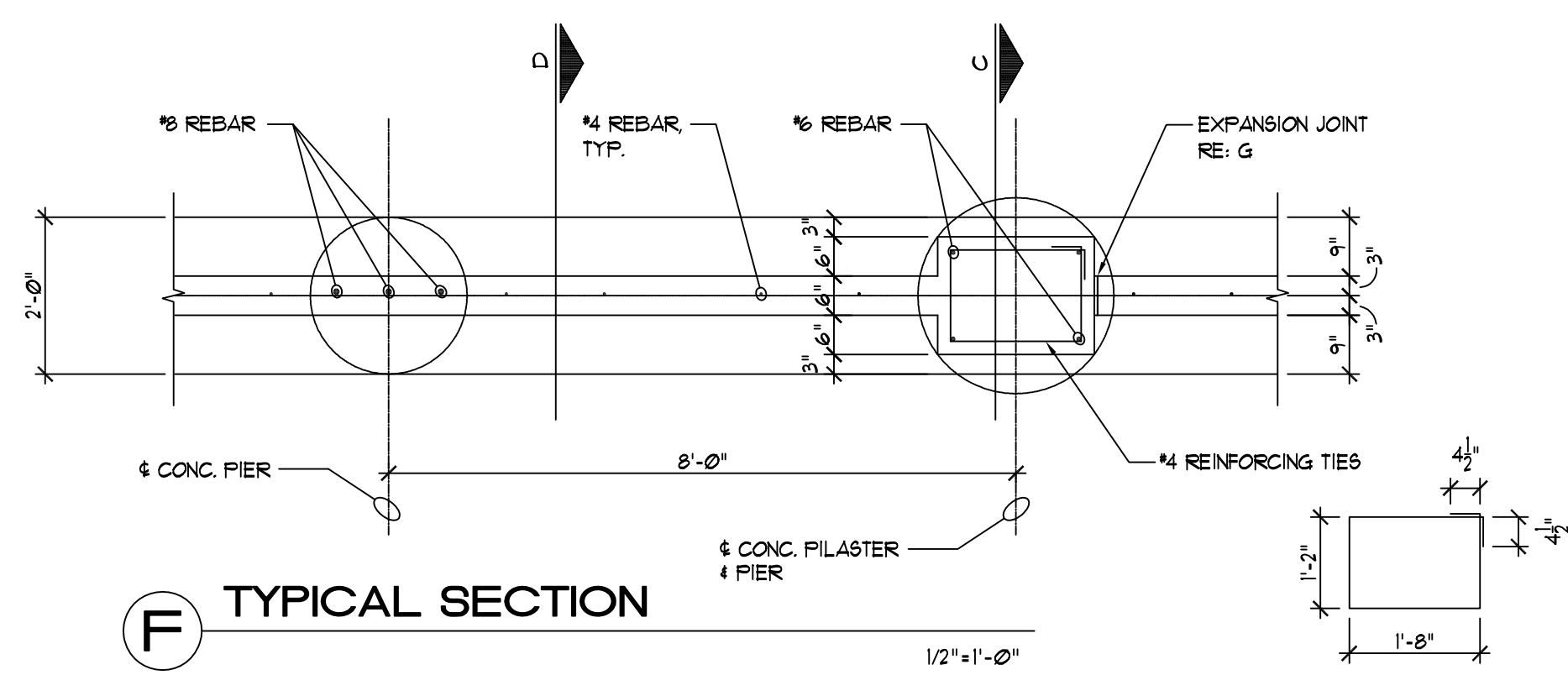
DATE	
BY	
REFERENCES NOTED	
REFERENCES CHECKED	



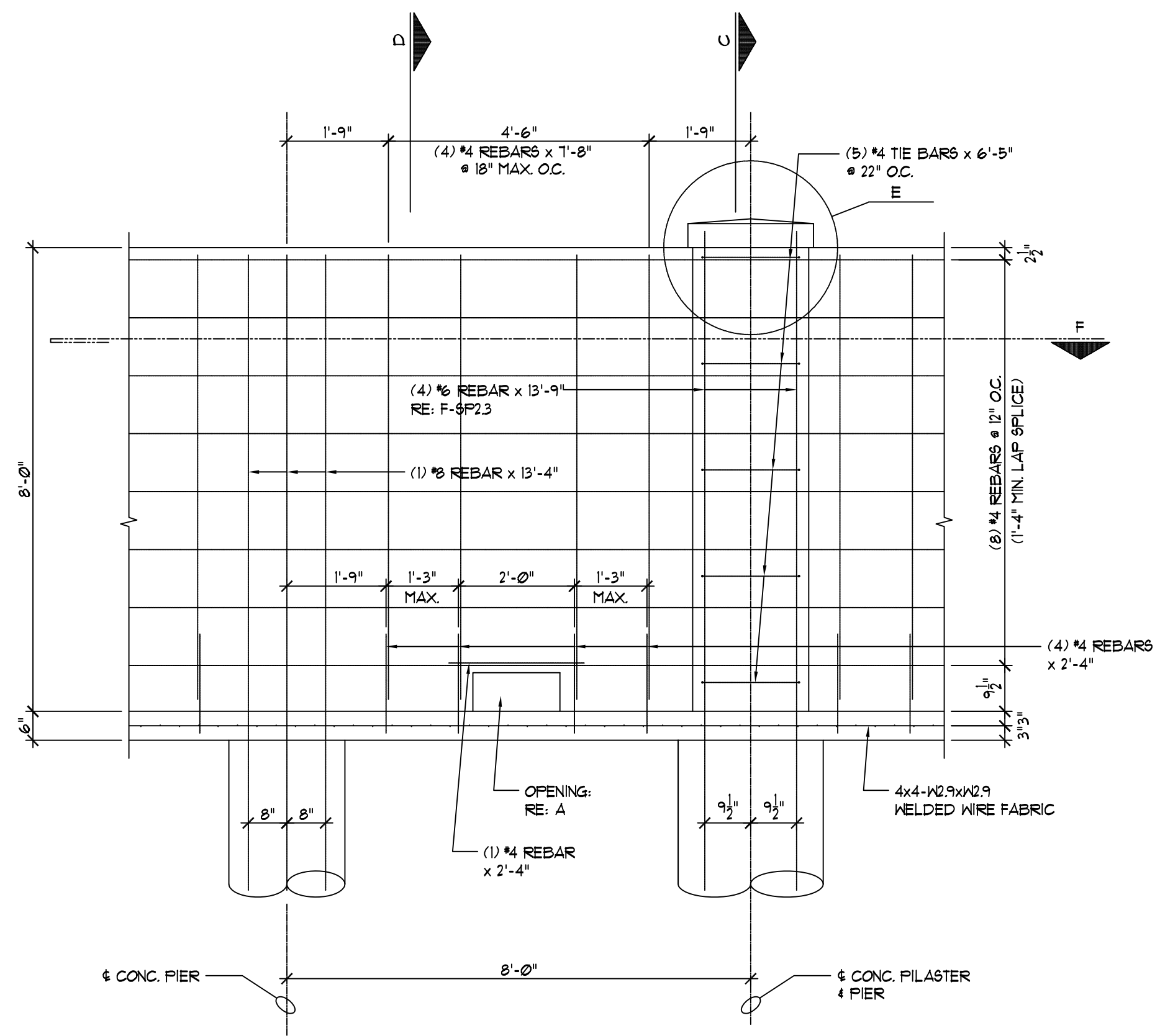
A CONCRETE FENCE ELEVATION
1/4"=1'-0"



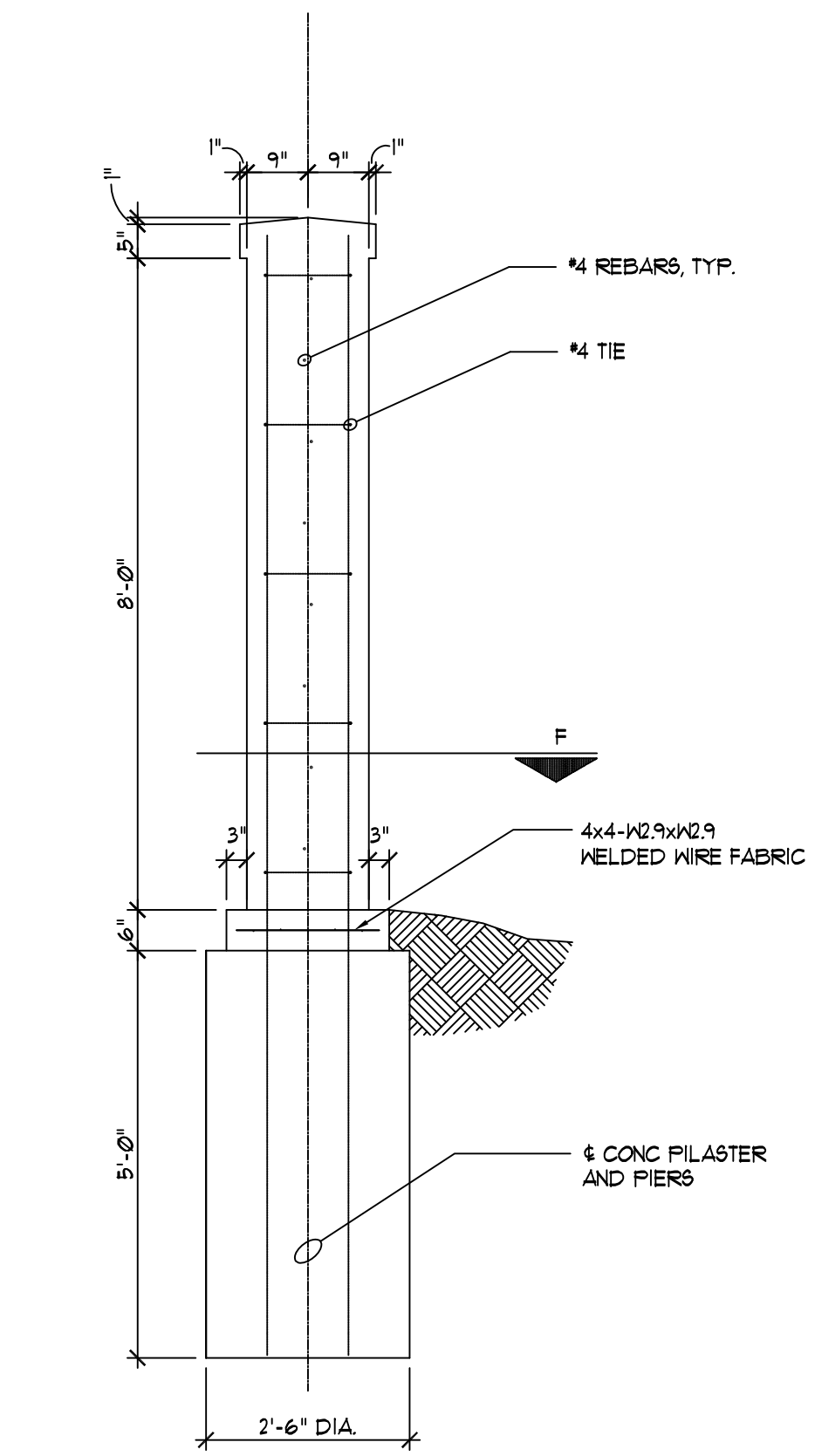
E PILASTER CAP DETAIL
1/2"=1'-0"



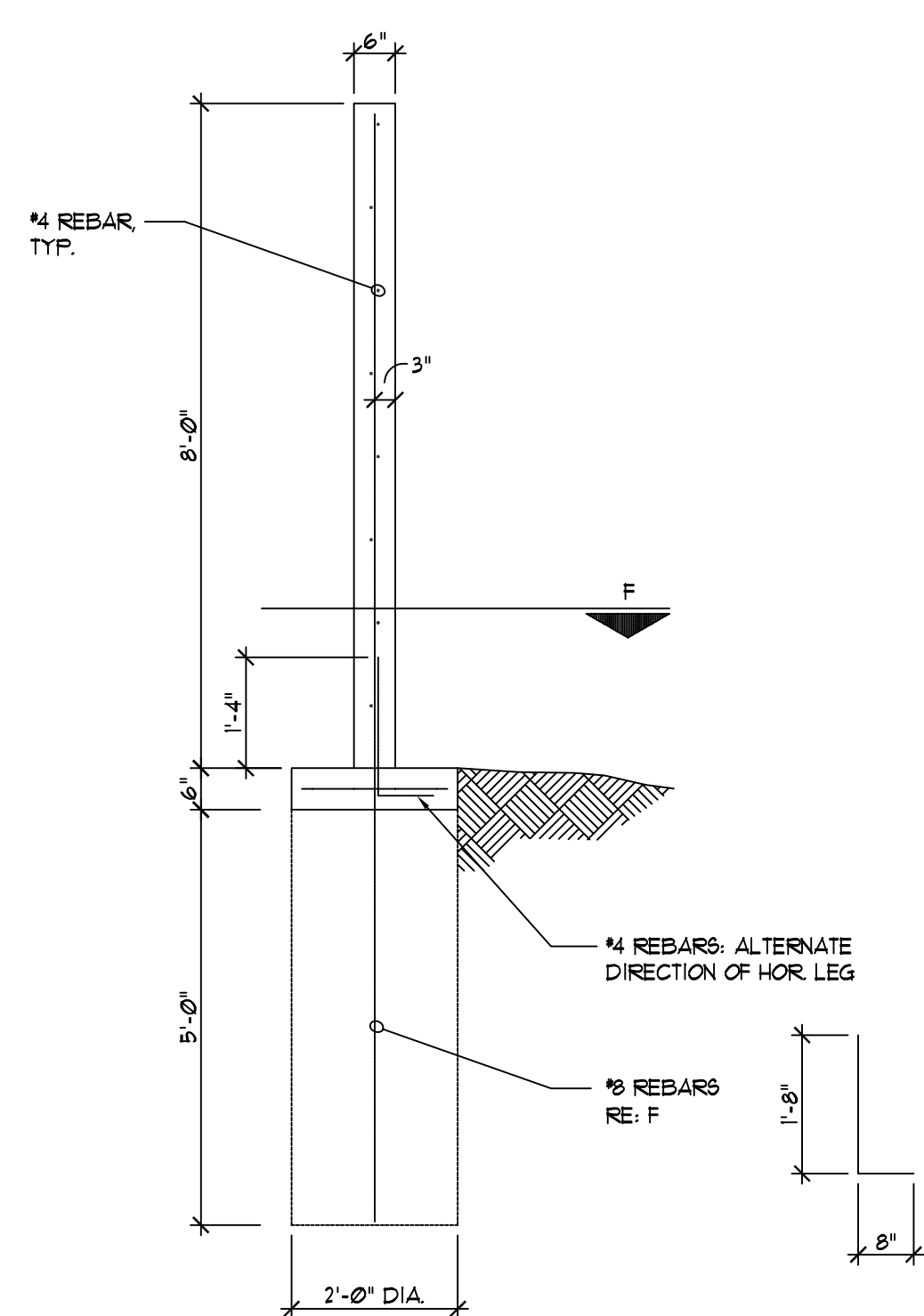
F TYPICAL SECTION
1/2"=1'-0"



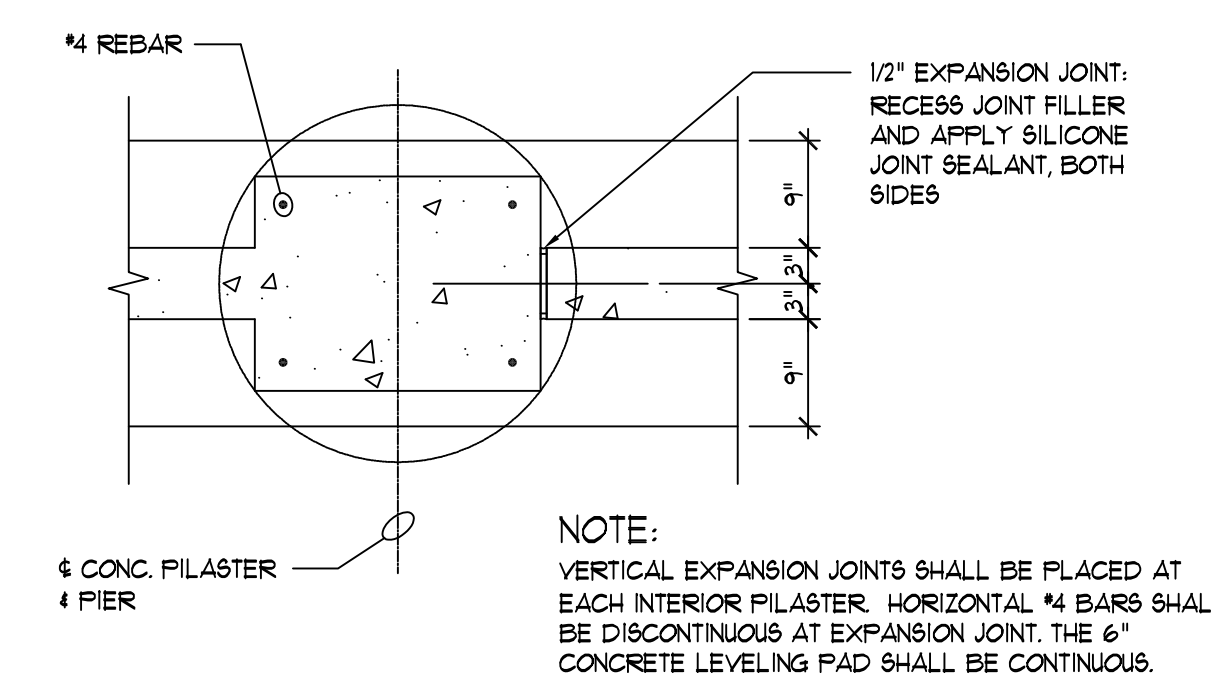
B TYPICAL FENCE STEEL REINFORCEMENT
1/2"=1'-0"



C PILASTER SECTION
1/2"=1'-0"



D WALL SECTION
1/2"=1'-0"

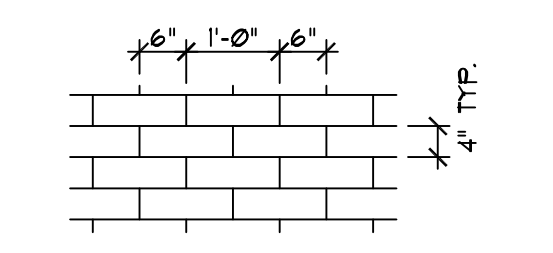


G EXPANSION JOINT
3/4"=1'-0"

GENERAL NOTES

CONCRETE: ALL CONCRETE USED IN FENCE CONSTRUCTION SHALL BE CLASS A REINFORCING STEEL. ALL REINFORCING STEEL SHALL CONFORM TO A615 GRADE 420 WELDED WIRE FABRIC SHALL CONFORM TO ASTM 8185. FABRIC SHALL OVERLAP 180MM MINIMUM.

SURFACE TREATMENT AND COATING: CONCRETE FENCE SHALL HAVE ADOBE SLUMP BLOCK FINISH OR EQUAL ON BOTH SIDES. BOTH SIDES SHALL RECEIVE A SURFACE COATING FINISH RE: SPECS, COLOR TO MATCH BRIDGE STRUCTURES. SURFACE COATING COSTS SHALL BE SUBSIDIARY TO BID ITEM "CONCRETE FENCE". FENCE LOCATION: LOCATION SHOWN ON SHEETS 811-818.



H SURFACE PATTERN
1/2"=1'-0"

DSNR: OPER: DWR SCALE: 1:500
F:79934/1S174



AS-BUILT DRAWINGS
THESE DOCUMENTS INCLUDE RECORD INFORMATION PROVIDED BY THE CONTRACTOR. THIS INFORMATION HAS NOT BEEN VERIFIED IN ITS ENTIRETY BY THE DESIGN PROFESSIONAL DATE: SEPTEMBER 2006

1	Revisions	By	Date
KANSAS DEPARTMENT OF TRANSPORTATION			
CONCRETE WALL DETAILS			
SEDGWICK COUNTY			
Professional Engineering Consultants, P.A. 303 S. TOPEKA • WICHITA, KANSAS 67202 316-262-2691 • FAX 316-262-3003			
Designed by	SMP	Checked by	
Drawn by	DWR	Date	April, 2002
		Job No.	97362