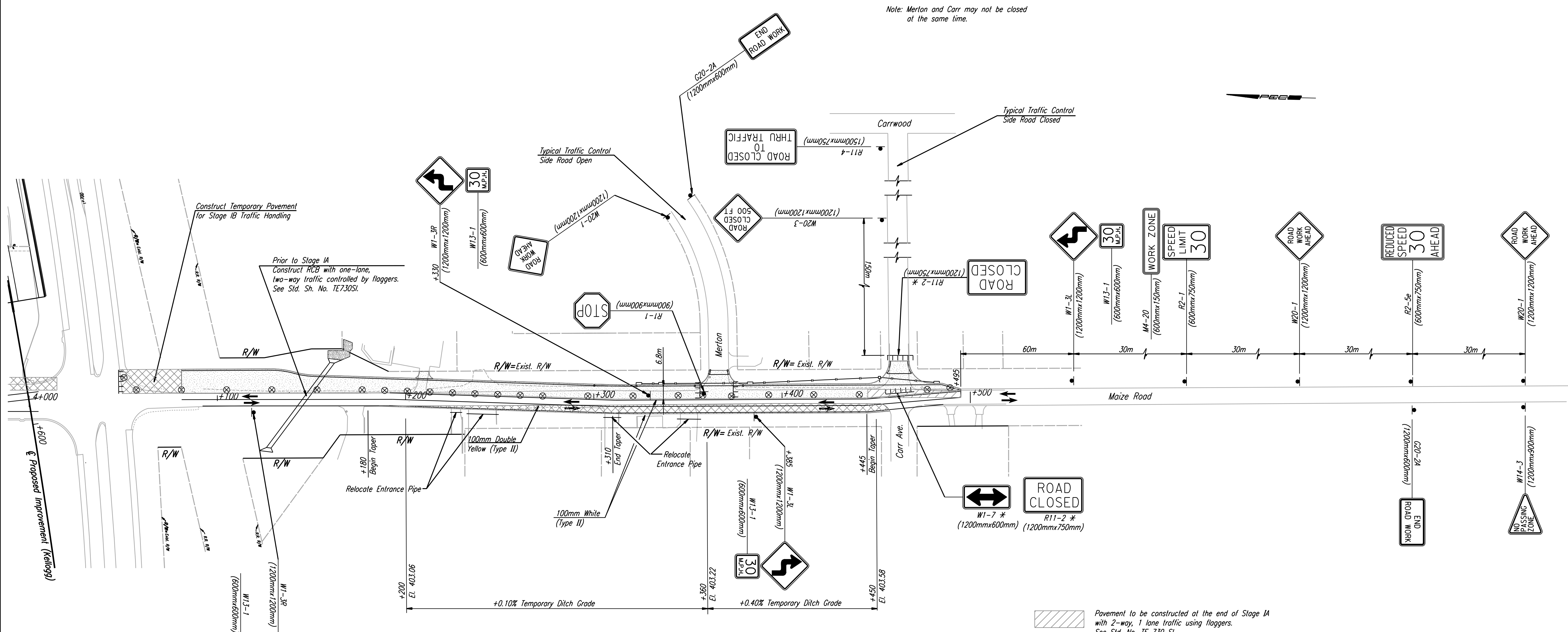


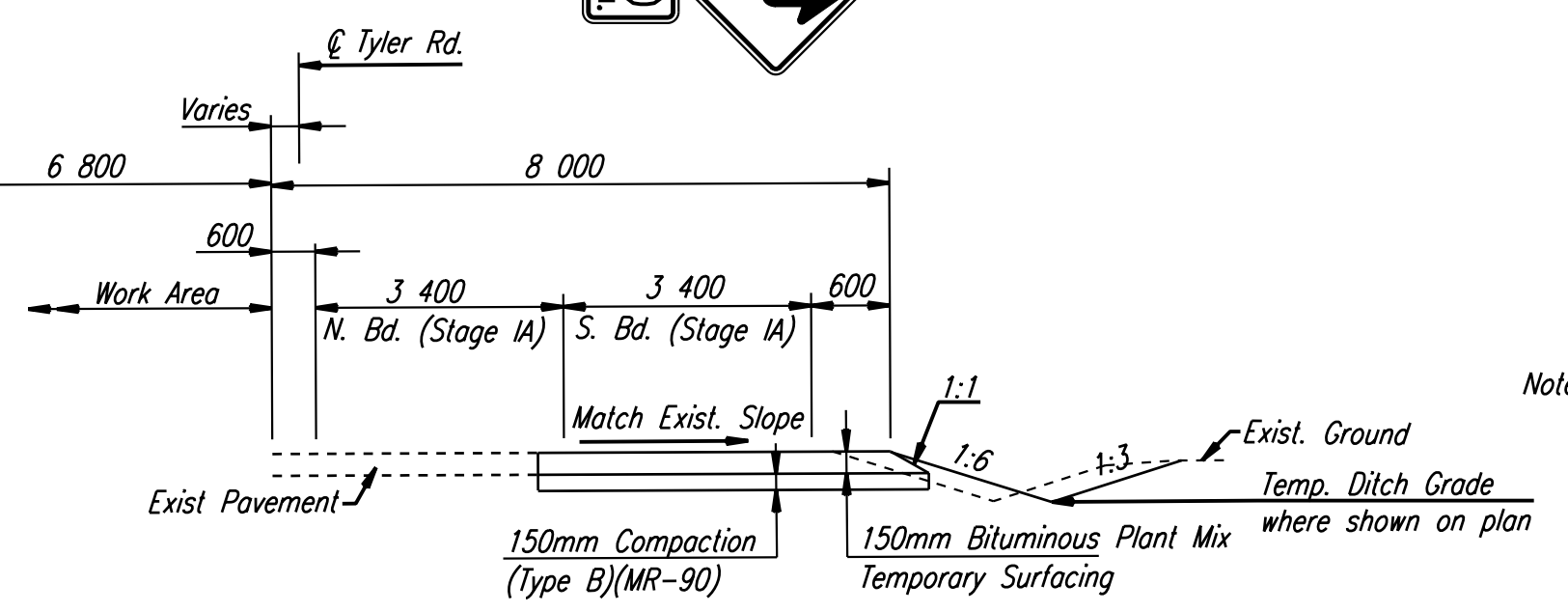
FHWA REGION NO.	STATE	PROJECT NO.	YEAR	SHEET NO.	TOTAL SHEETS
7	KANSAS	54-87 K-6657-01	2002	816	1122

DATE	
BY	
REFERENCES NOTED	
REFERENCES CHECKED	

Note: Merton and Carr may not be closed at the same time.



Pavement to be constructed at the end of Stage IA with 2-way, 1 lane traffic using flaggers. See Std. No. TE 730 SI.



TYPICAL SECTION-TEMPORARY PAVEMENT WIDENING
Sta. 4+200 to Sta. 4+457

DSNR: OPER: JGP Scale: 1:1000 1/19/97/97-362-As-Built/dgn/s/vol 4/1/5h 816-TC Stage 1a-mzp4000.dgn Last Rev: 10-5-07 By: ggr

1			
No.	Revisions	By	Date
CITY OF WICHITA MAIZE ROAD TRAFFIC CONTROL - STAGE IA STA. 4+000 TO STA. 4+495 SEDGWICK COUNTY			
Professional Engineering Consultants, P.A. 303 S. TOPEKA • WICHITA, KANSAS 67202 316-262-2691 • FAX 316-262-3003			
Designed by	RPC, RWM	Checked by	WDH
Drawn by	JGP	Date	WDH
		Job No.	97362