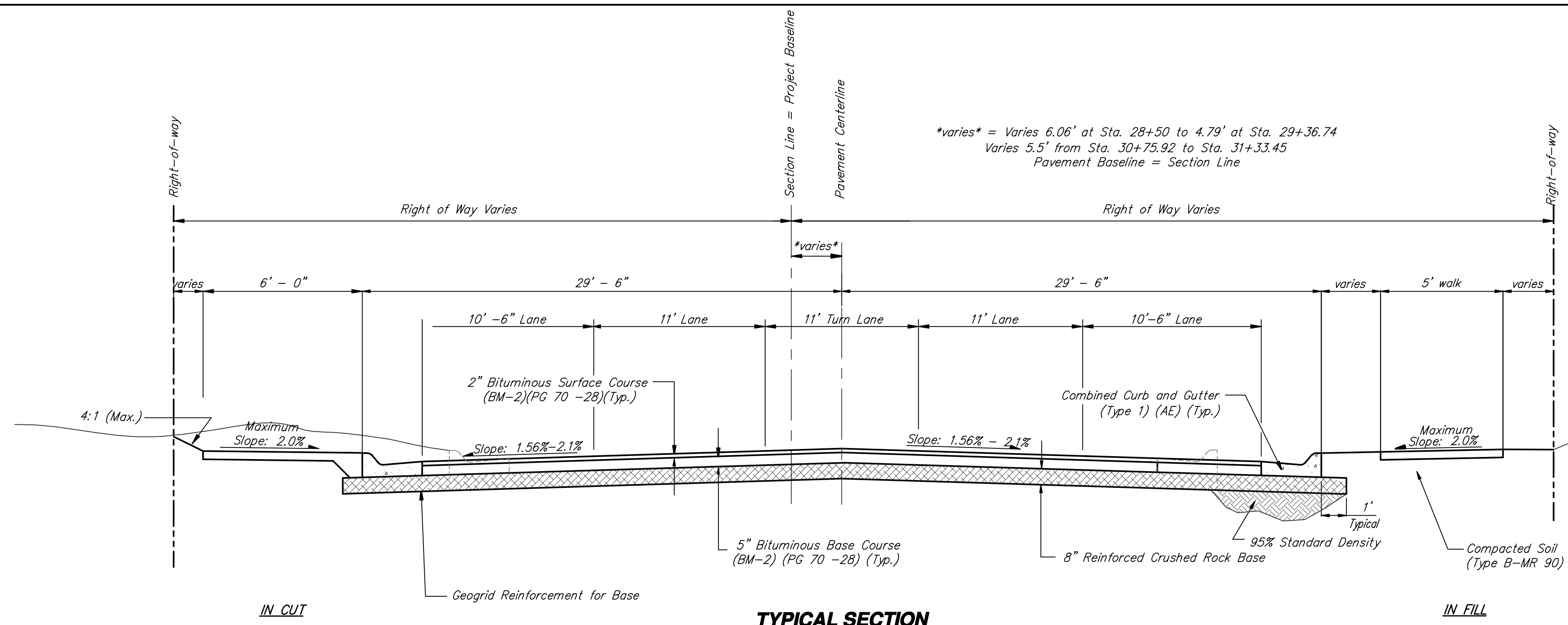
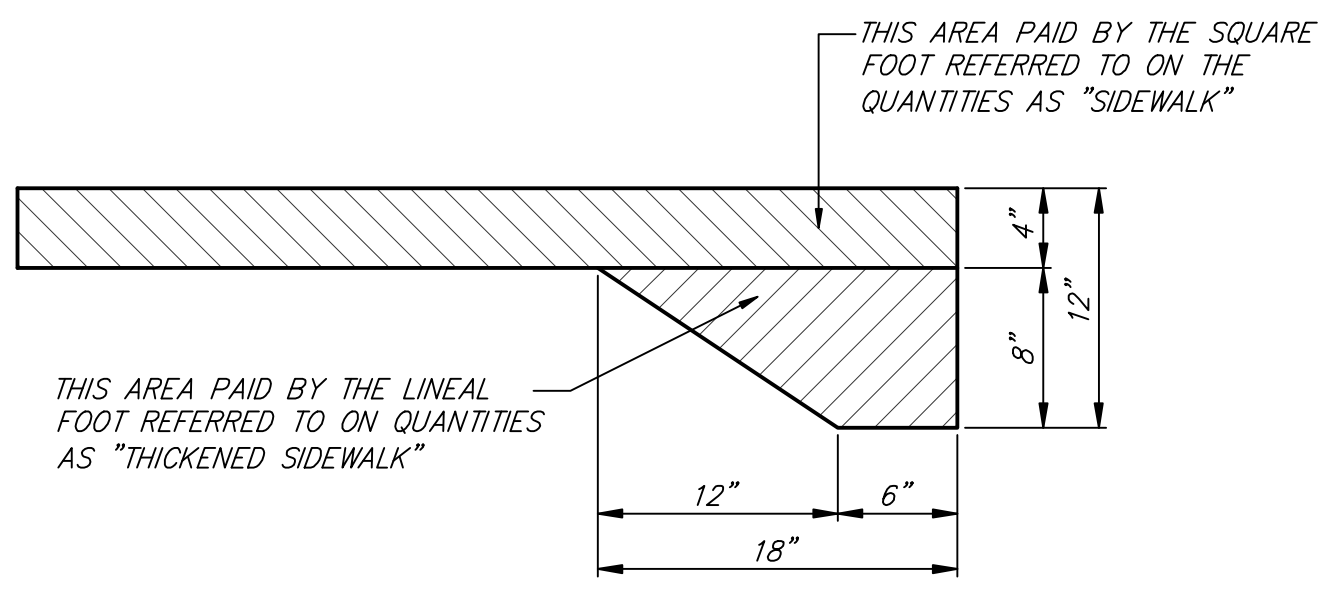


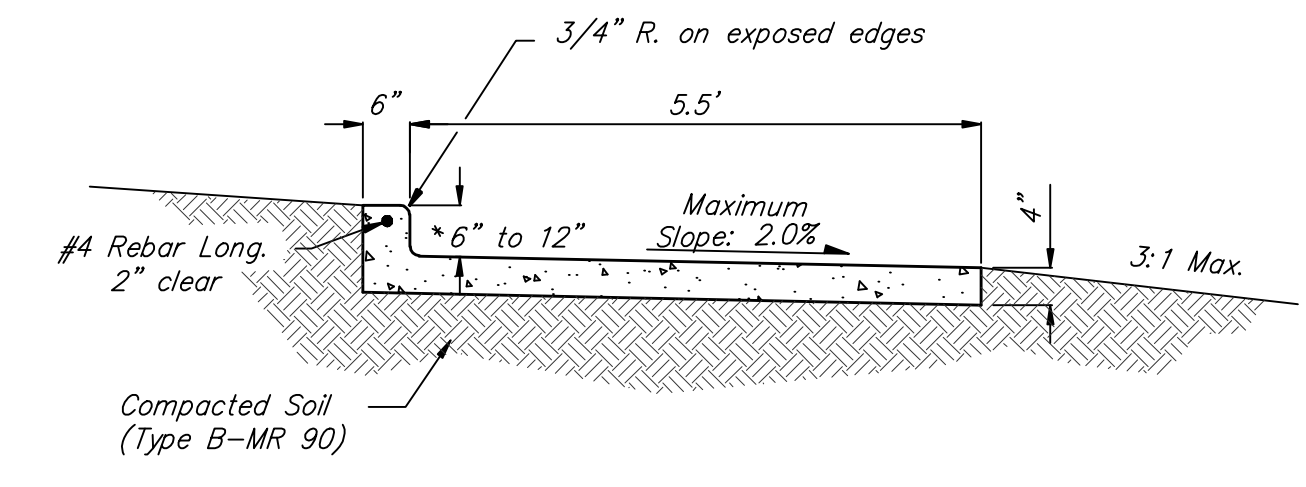
FHWA REGION NO.	STATE	PROJECT NUMBER	FISCAL YEAR	SHEET NUMBER	TOTAL SHEETS
7	KANSAS	87N-0245-01	2007	5	55



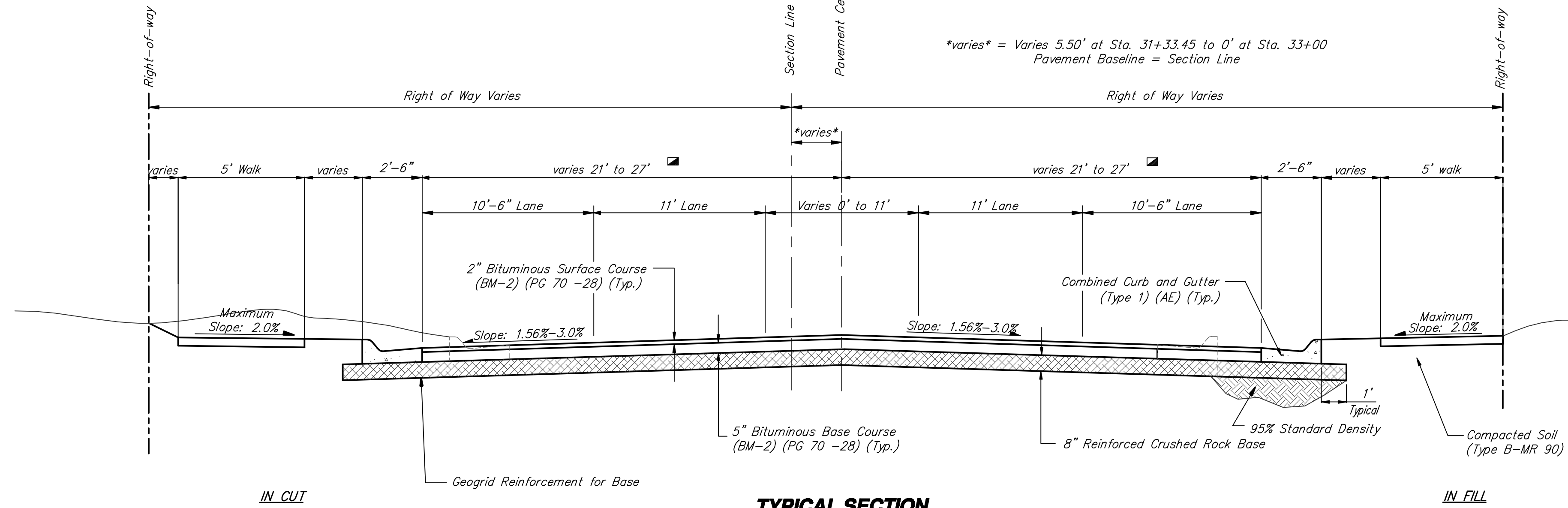
TYPICAL SECTION
STA. 28+50 to 29+36.74 (BROADWAY)
STA. 30+75.92 to 31+33.45 (BROADWAY)



SIDEWALK THICKENED EDGE



WALK WITH PROTECTION CURB
STA 28+28 to STA 29+36 Lt.
STA 31+25 to STA 31+90 Lt.




TYPICAL SECTION
STA. 31+33.45 to 33+00 LT, &
STA. 31+33.45 to 33+10.5 RT (BROADWAY)

▣ Lane Transitions :
 31+33.4 to 33+10.5 Rt. taper 27' to 21'
 31+33.4 to 33+00 Lt. taper 27' to 21'

REVISED: 10/22/07

13th & Broadway - Broadway
TYPICAL SECTIONS
WICHITA, KANSAS



Ruggles & Bohm, P.A.
 Engineering, Surveying, Land Planning

224 North Main
 Wichita, Kansas 67208
 www.rba.com

(316) 264-8888
 (316) 264-8881 fax
 E-mail: info@rba.com

PDC
 PDC
 3/20/06
 4
 55

typ section	706705	Sept. 12, 2004
-------------	--------	----------------