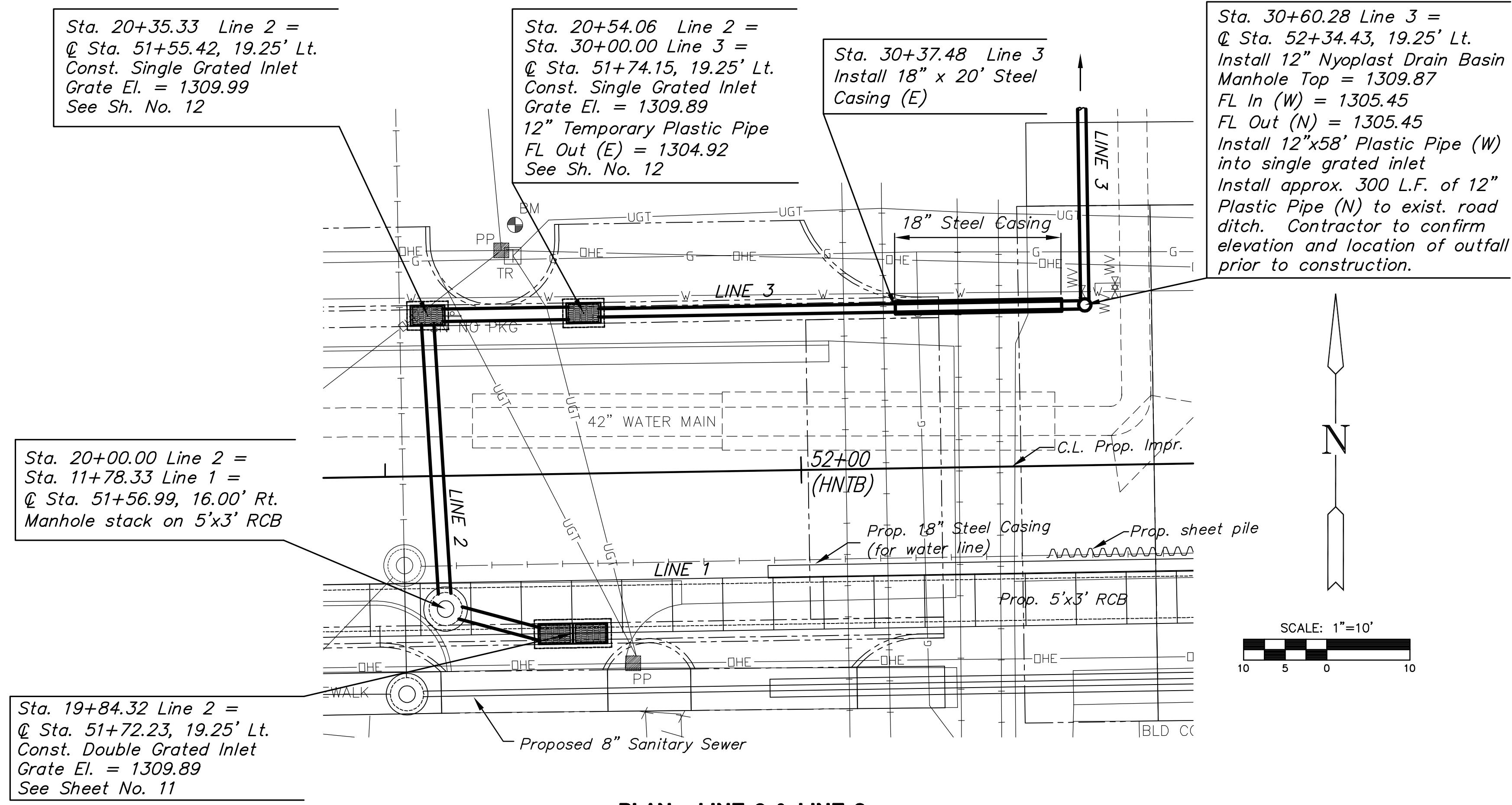
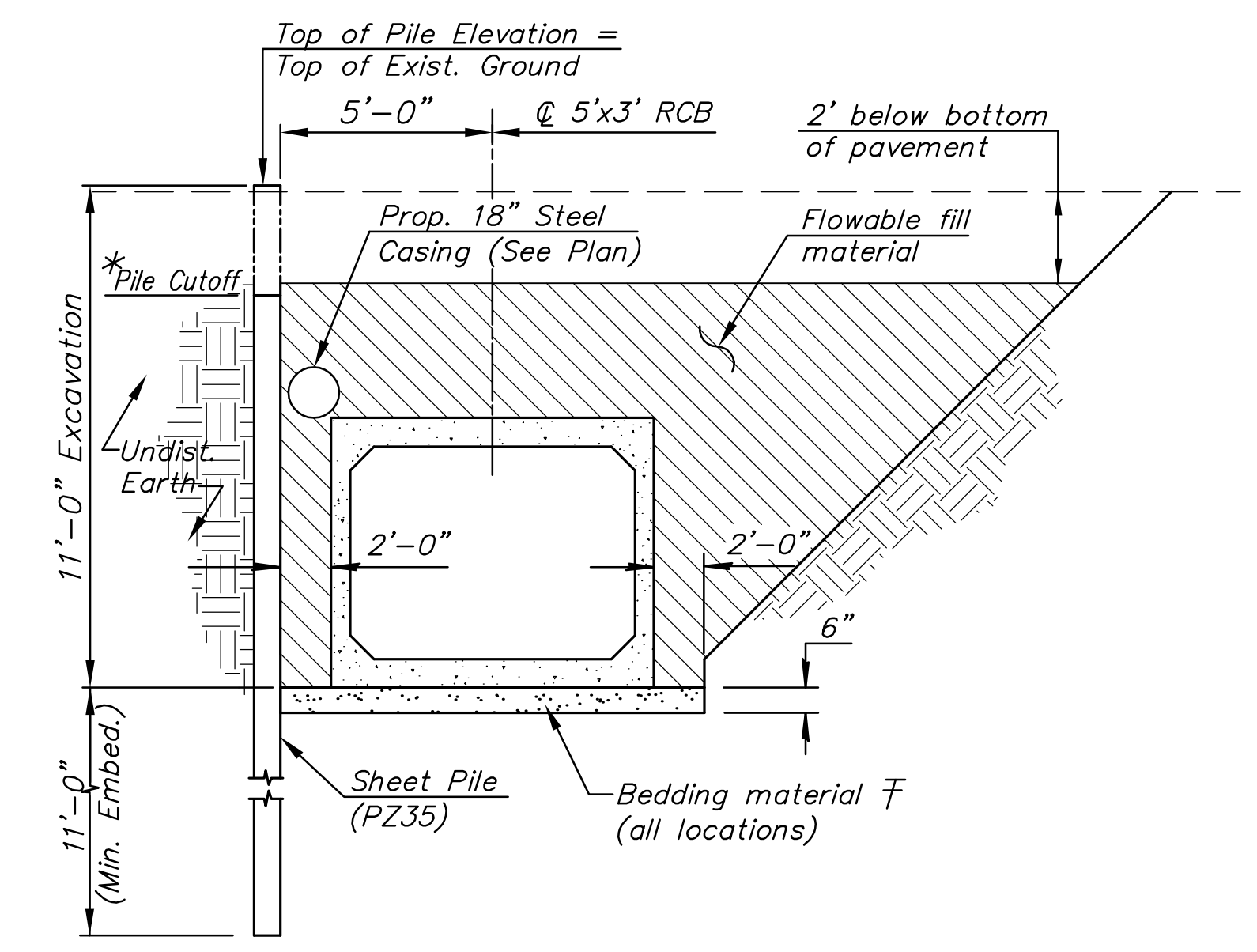
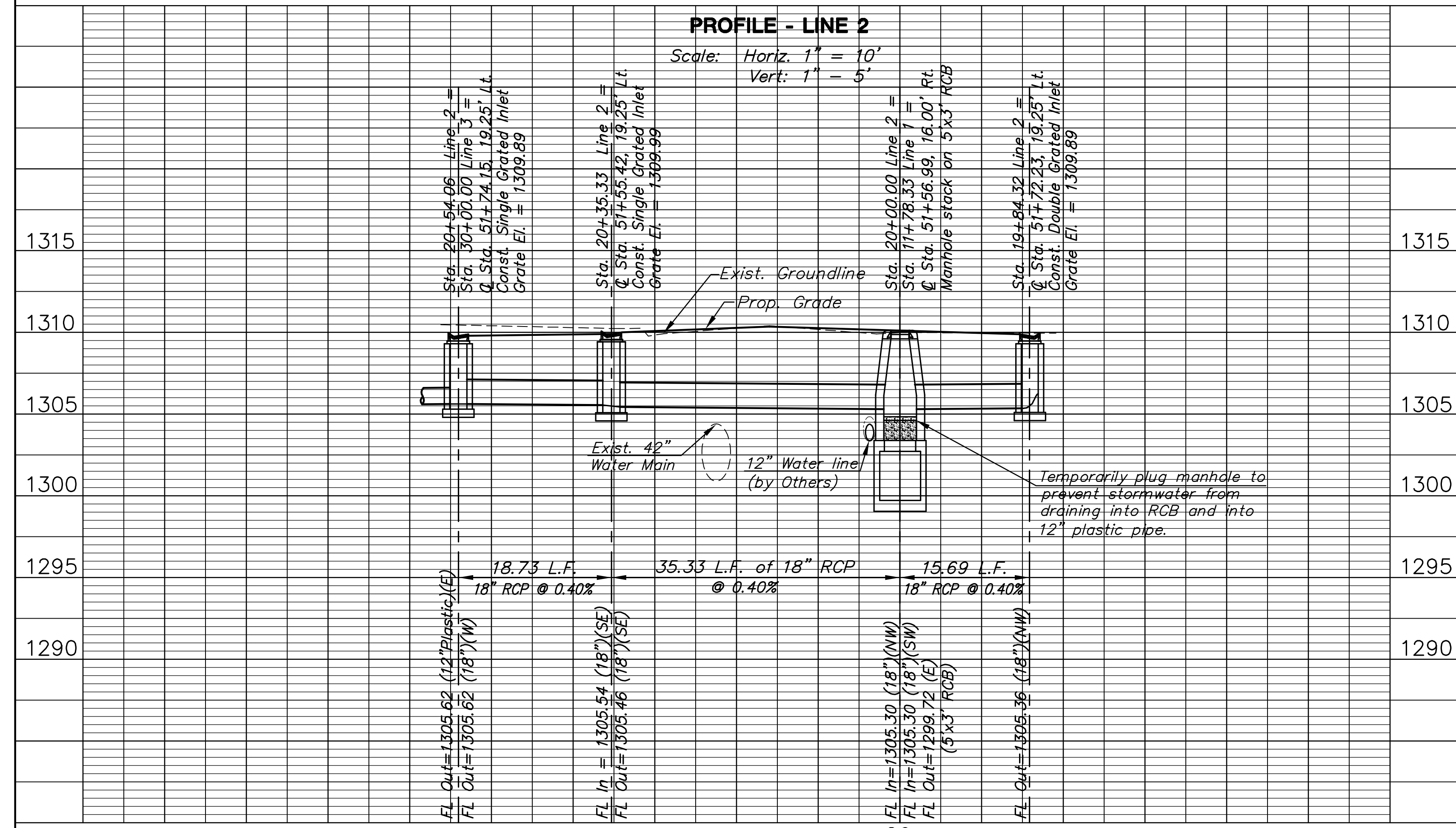


**UTILITY IMPROVEMENTS
17TH STREET AT BSNF RAIL
CORRIDOR**



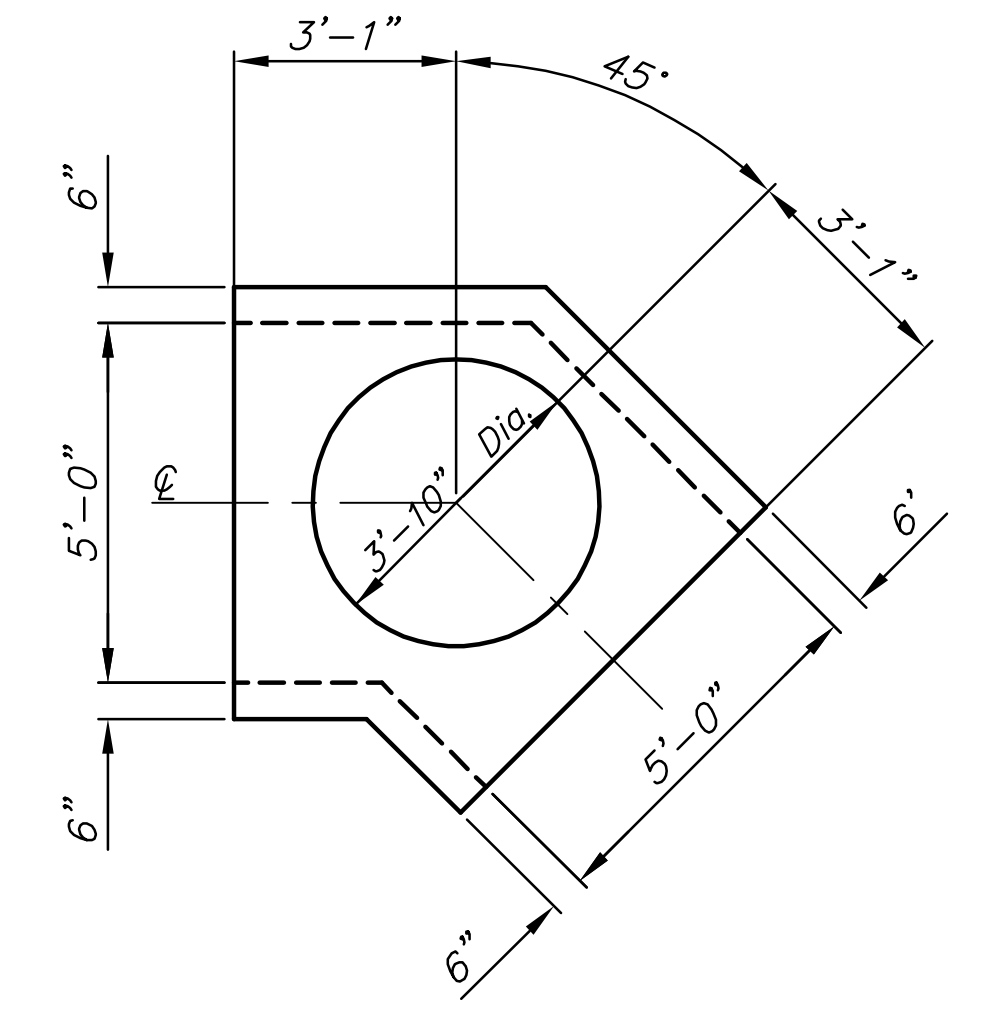
PLAN - LINE 2 & LINE 3



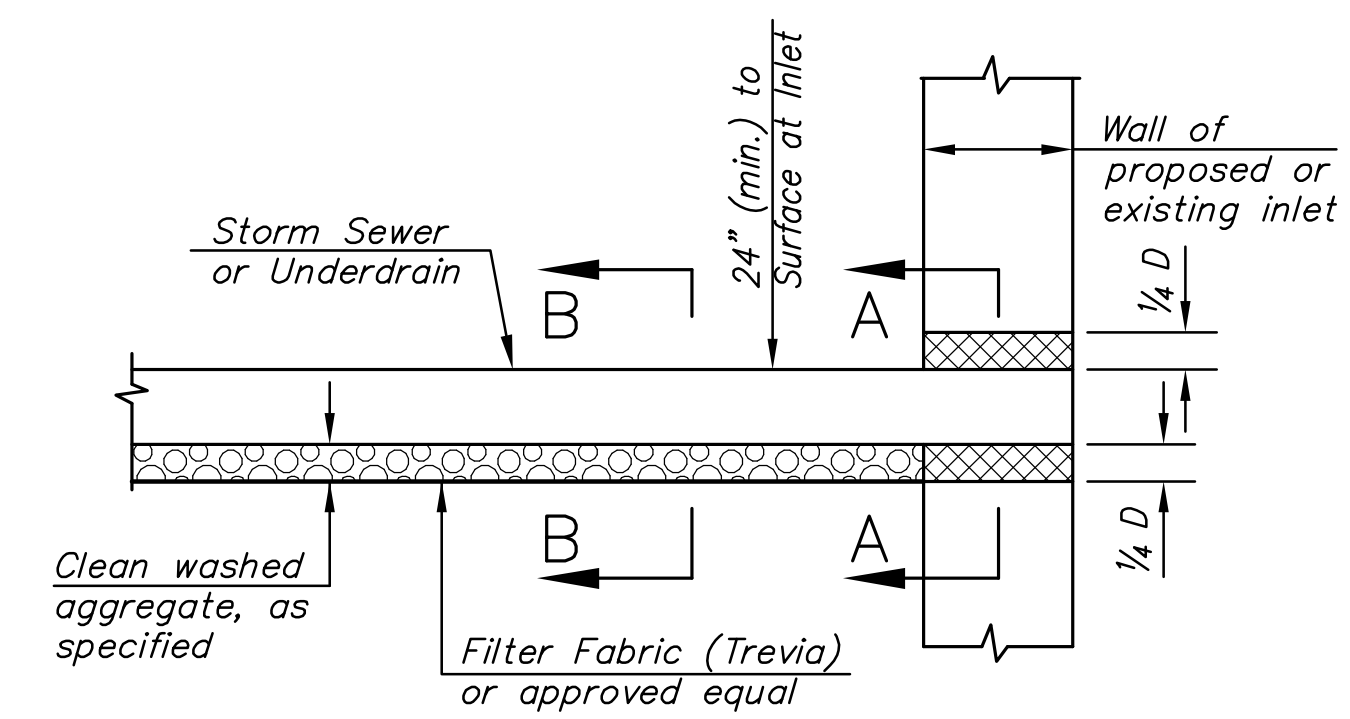
STANDARD RCB TRENCH DETAIL
Sta. 10+55.0 to Sta. 11+06.00

* Cut sheet pile off several inches below flowable fill prior to street construction. Sheet pile below this elevation is to remain in place.

F Bedding material shall be required under the box, wingwalls and aprons in accordance with the dimensions shown in the details. Bedding material shall consist of 6" thickness of crushed rock conforming to ASTM C-33, Gradation No. 67, and shall meet the requirements for Portland Cement Concrete Pavement Course Aggregate, Section 406.2 of the City of Wichita Standard Specifications. Bedding material shall be subsidiary to "Grade 31 Concrete (AE)" and shall include all necessary excavation.



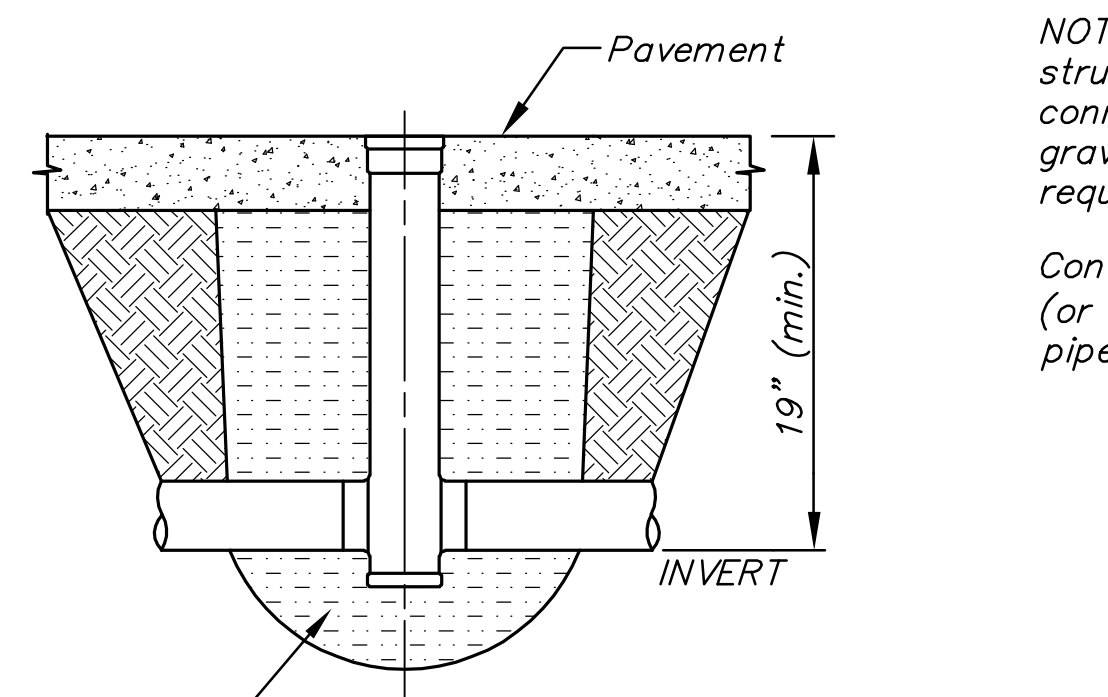
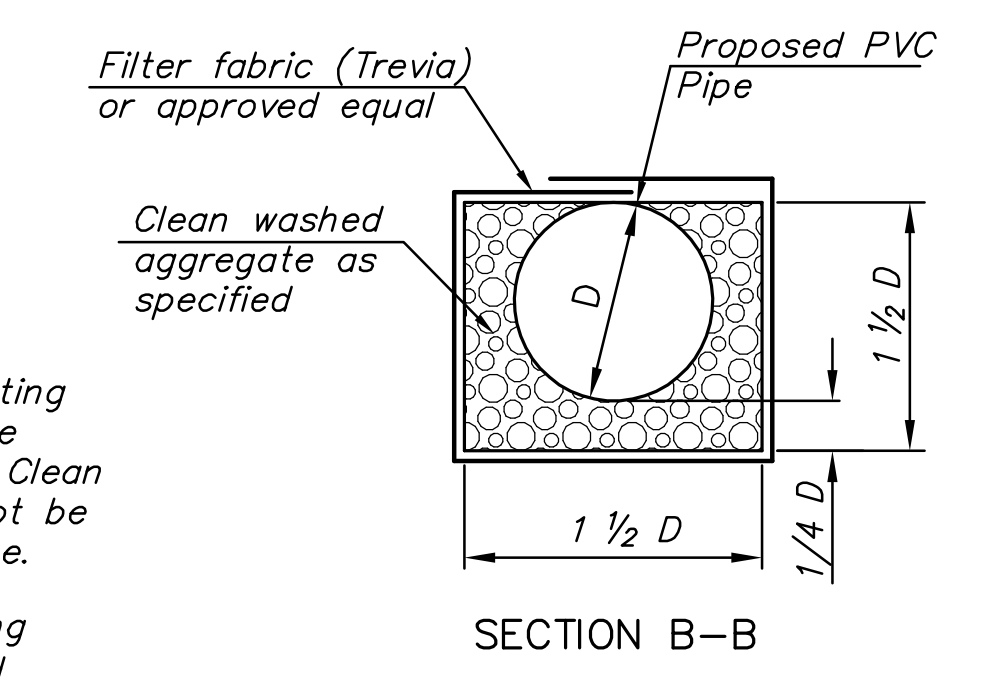
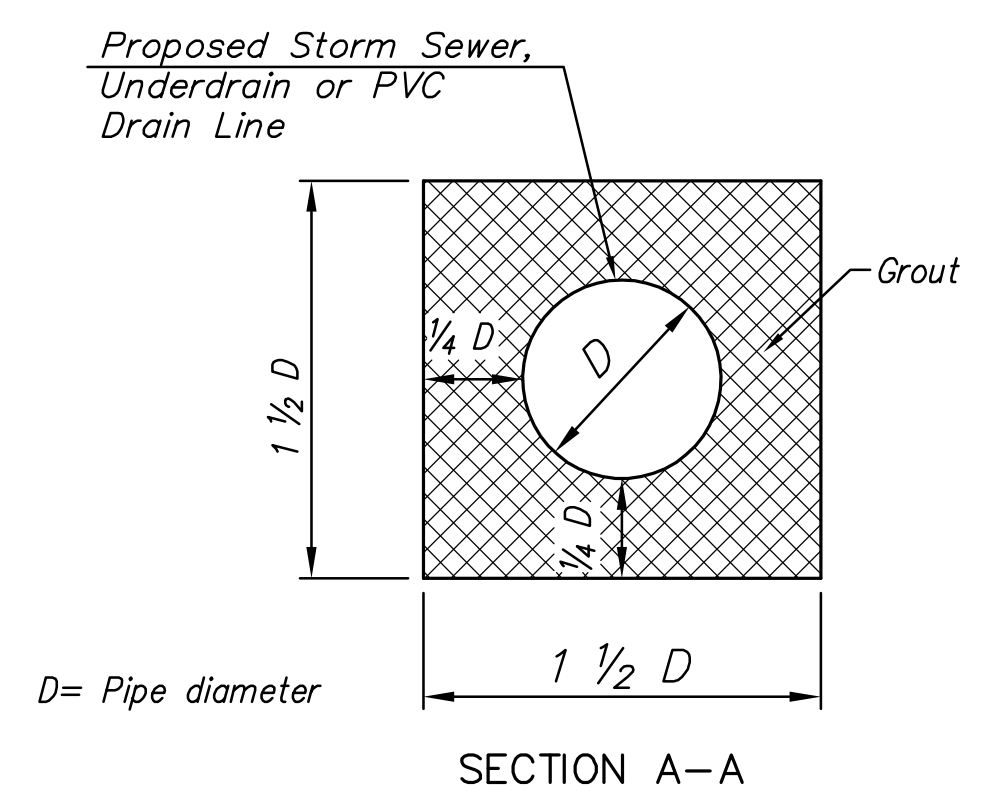
SPECIAL 45° TURN 5'x3' RCB (PRECAST)



**ELEVATION
PIPE CONNECTION DETAIL**

NOTE: A hole shall be made through existing structures as shown to accommodate pipe connections. Round holes are acceptable. Clean gravel and filter fabric around pipe will not be required around concrete storm sewer pipe.

Contractor to remove section from existing (or proposed structure) and patch around pipe.



Backfill material shall be crushed stone or gravel material meeting Class 1 or 2 as specified in ASTM D2321. Backfill material shall be placed uniformly in 12" lifts and compacted.

12" NYOPLAST DRAIN BASIN DETAIL

J:\Civil\04177\ADDENDUM PLANS\04177ADD_PP_STORM.DWG 11/19/2007 04:24:50 PM CST

**UTILITY IMPROVEMENTS
17TH STREET AT BSNF RAIL CORRIDOR**

PROJECT NAME

**STORM SEWER PLAN AND PROFILE
STORM SEWER DETAILS**

SHEET TITLE

JRA DESIGN BY: DPG DRAWN BY: JRA CHECKED BY:

411 N. WEBB ROAD
WICHITA, KS. 67206
316 - 684 - 9600

SEPTEMBER 2007 04177 DATE JOB NO.

8 / 28 SHEET/OF