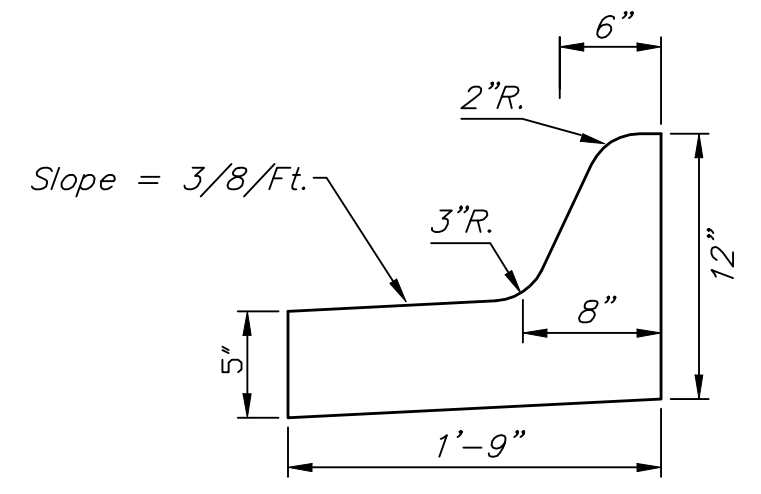
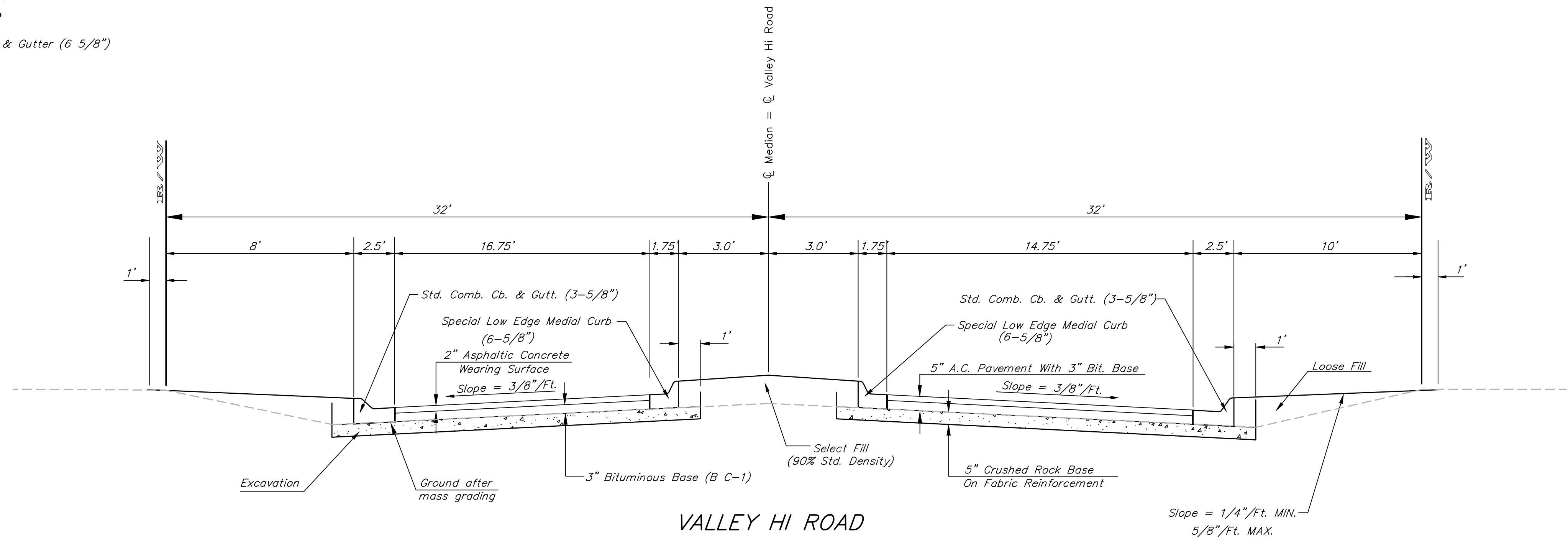


FAWNWOOD



Medial Curb Detail
(Low Edge)
Not to Scale

Note: To be paid as Medial Curb & Gutter (6 5/8")



VALLEY HI ROAD

B Baughman		MEDIAN DETAILS	
Baughman Company, P.A. 315 Ellis St. Wichita, KS 67211 P 316-262-7271 F 316-262-0149 ENGINEERING SURVEYING PLANNING LANDSCAPE ARCHITECTURE			
PROJECT NUMBER 47284292	DESIGN AEG	DRAWN JRW	DATE 12-05-07
REVISIONS:	APPROVED AEG	SCALE NONE	SHEET 6 OF 52
AuburnHills16th\Phase3\STR\ENTRDET.dwg			07-09-E928