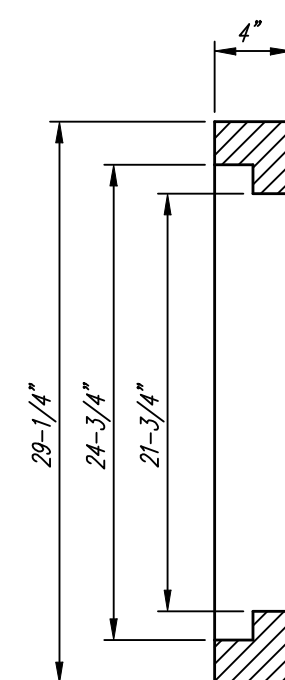
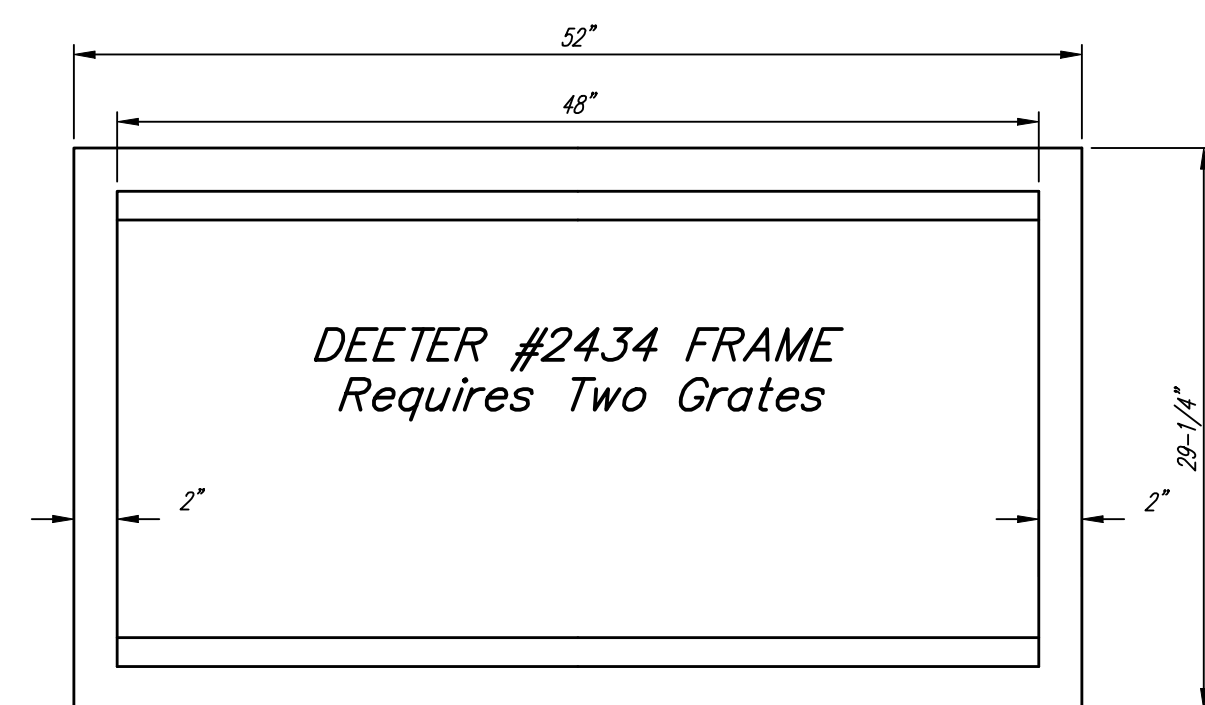


DEETER #2433 GRATE

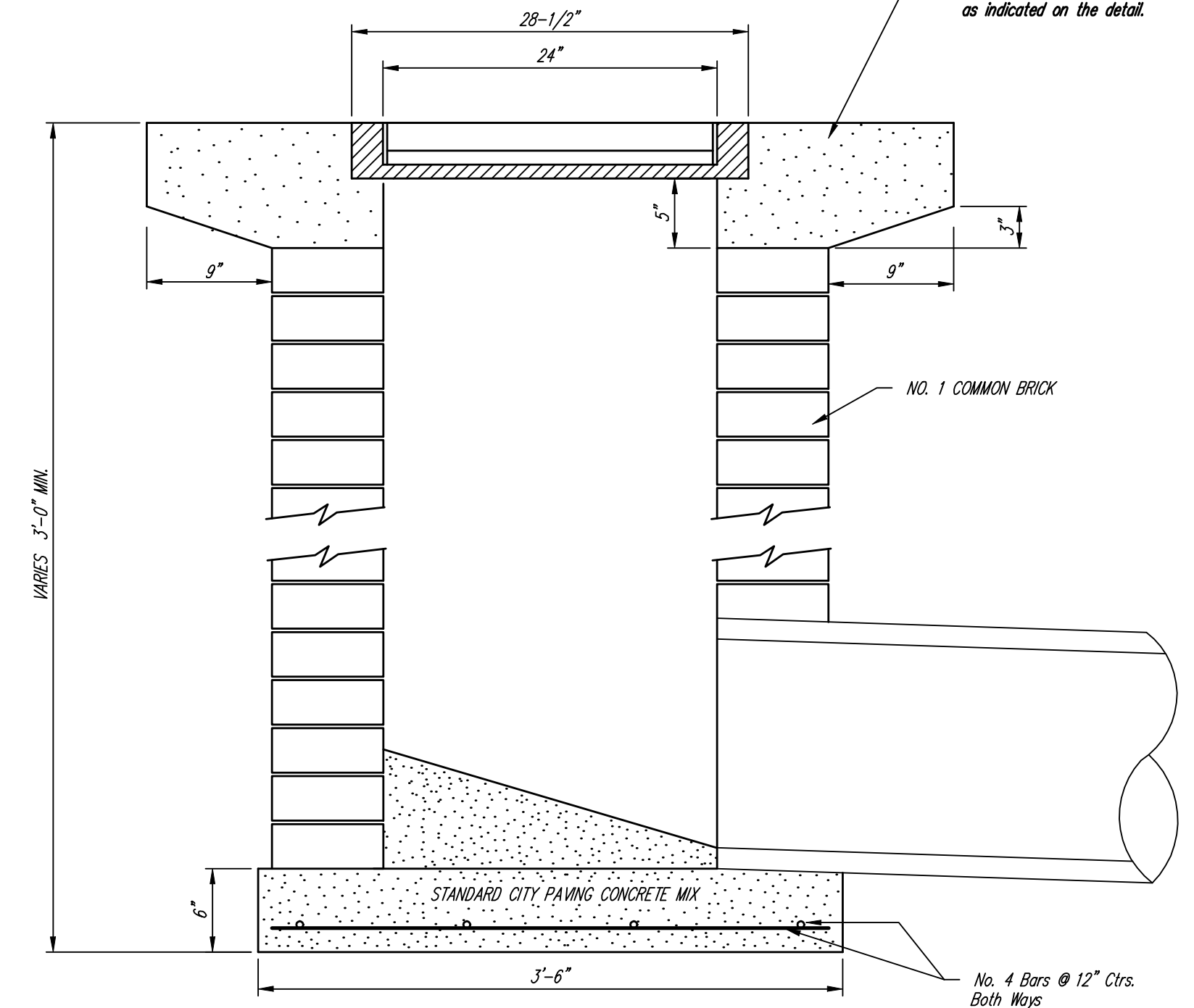
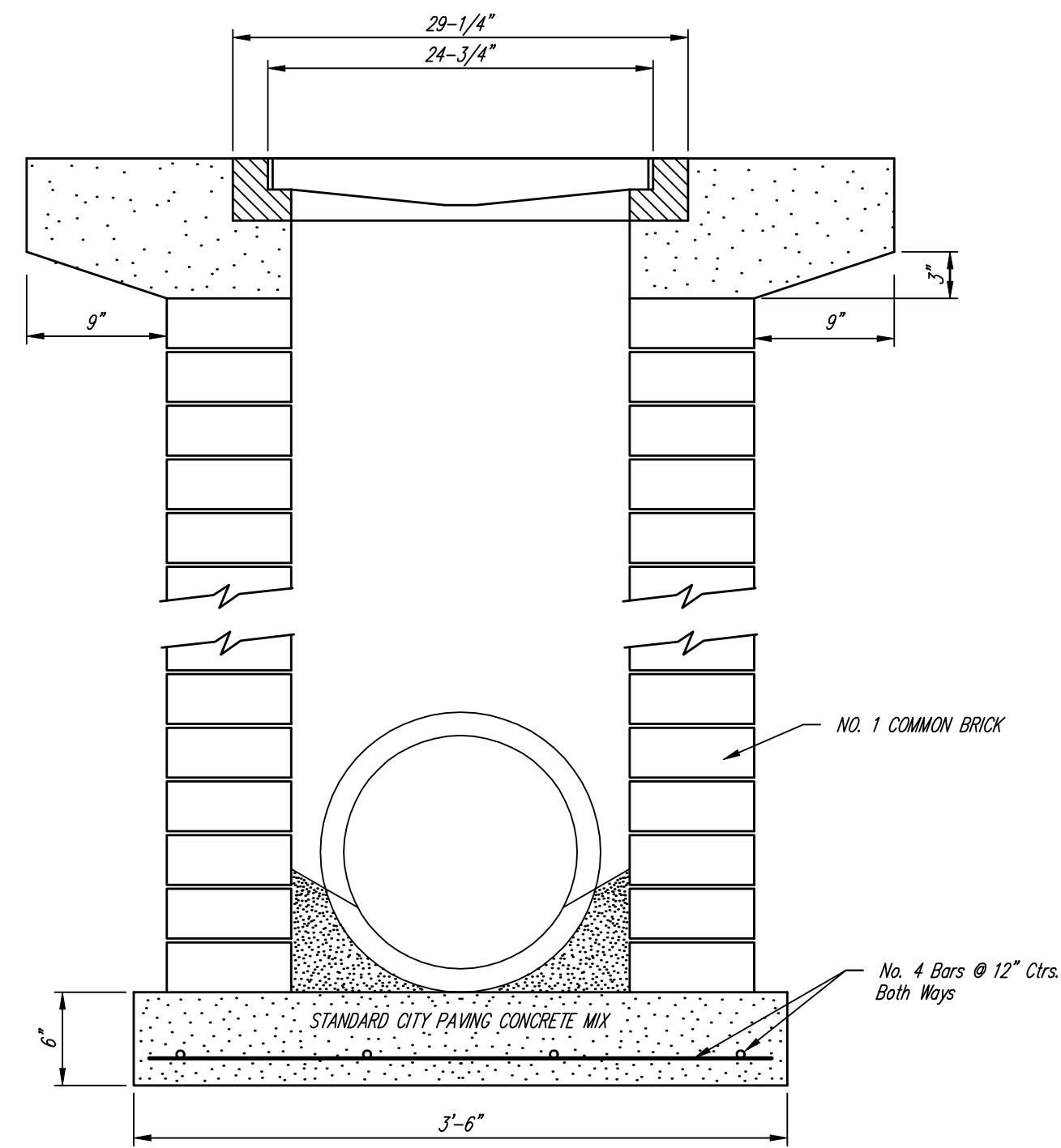
24" x 24" Frame and Grate Detail

NOTE: Grates shall be imprinted on the top surface with "CITY OF WICHITA" using letters at least 1" in height. Other marking methods may be approved by the engineer.

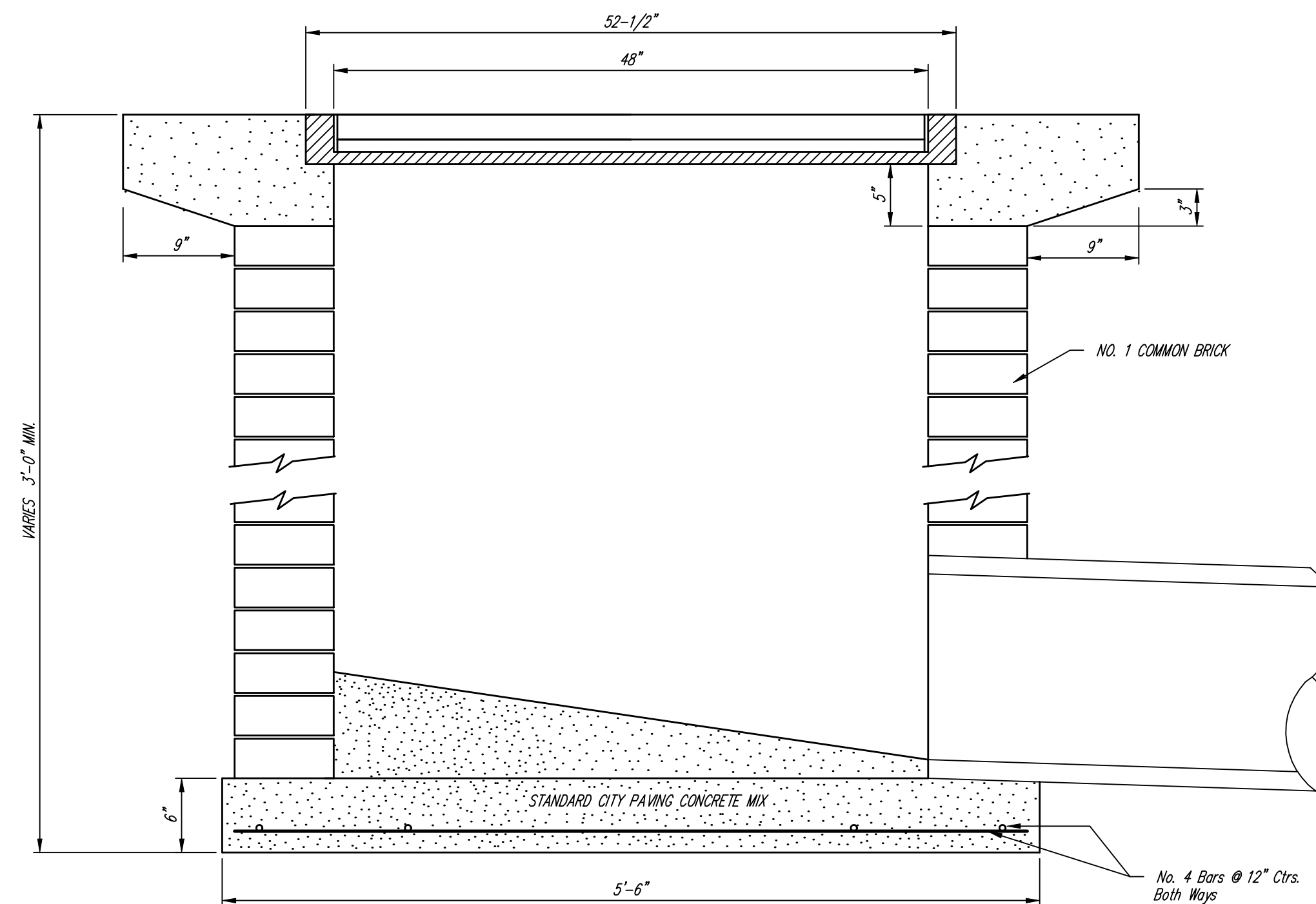


DEETER #2434 FRAME
Requires Two Grates

Double 24" x 24" Frame Detail



Note: Concrete apron shall be constructed around the inlet when inlet is located in an unpaved area. Where the inlet is adjacent to pavement, the pavement thickness shall be tapered to the inlet in 9 inches as indicated on the detail.



	City of Wichita Standard	
	Drop Inlet Detail	
<small>Baughman Company, P.A. 315 Ellis St. Wichita, KS 67211 P 316-262-7271 F 316-262-0149 ENGINEERING SURVEYING PLANNING LANDSCAPE ARCHITECTURE</small>		
PROJECT NUMBER 472-84292	DESIGN C.O.W.	DRAWN Staff
REVISIONS:	APPROVED AEG	DATE 12-05-07
	SCALE None	SHEET 25 OF 52
<small>E:\Auburn Hills 16th\PHASE 3\STR\DROPINT2.DWG</small>		<small>07-09-E928</small>