

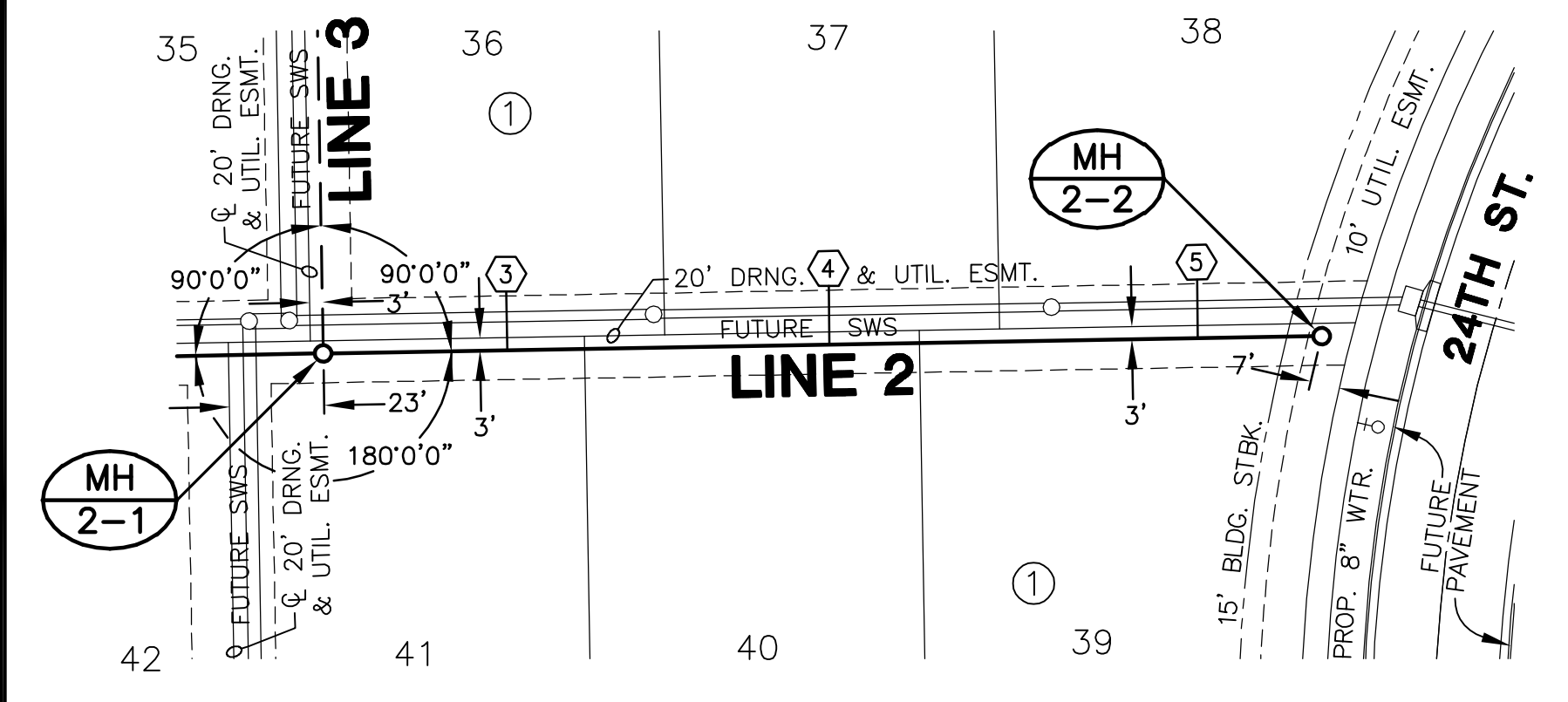
**SANITARY SEWER PLANS FOR
MONARCH LANDING SECOND ADDITION
PHASE 1**

LINES 2 & 3
SHEET TITLE
468-84432
PROJECT NUMBER

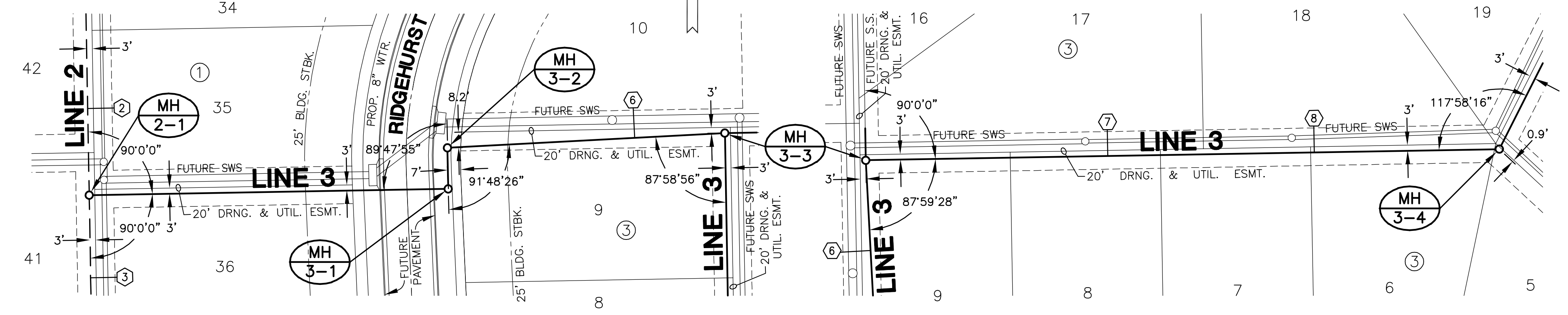
DFL
DESIGN BY
DMU
DRAWN BY
GJA
CHECKED BY

ISSUED
December 2007
REVISED

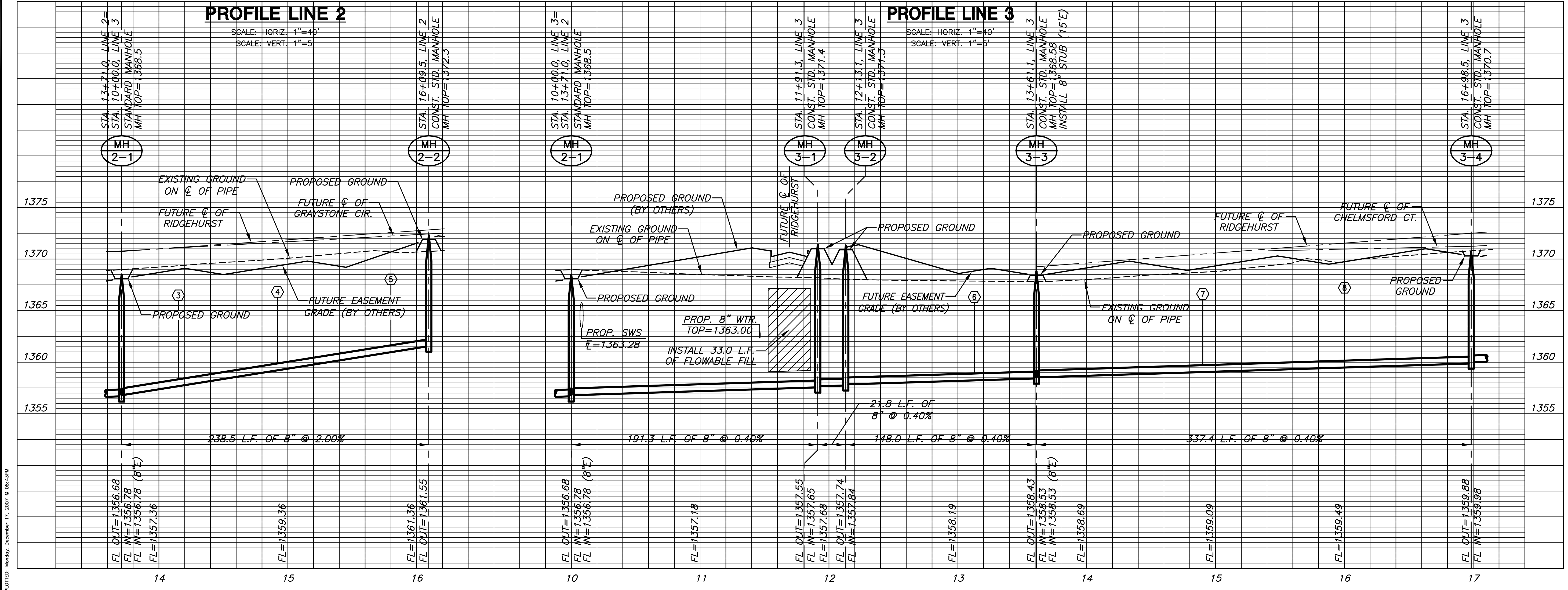
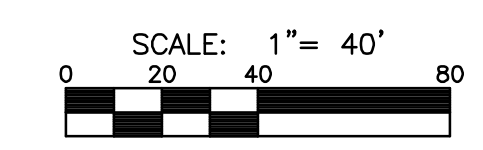
SHEET NO.
5 of 14



PLAN LINE 2



PLAN LINE 3



PLOTTED: Monday, December 17, 2007 @ 08:43PM

J:\CIVIL\06201\07165\SAN\LATERAL\07165_L2.DWG