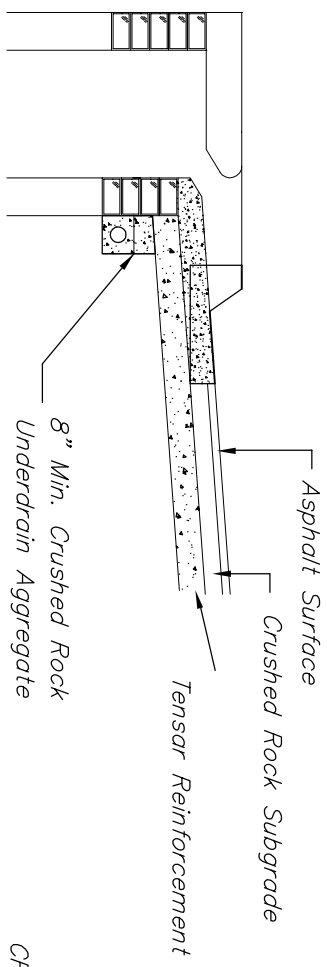


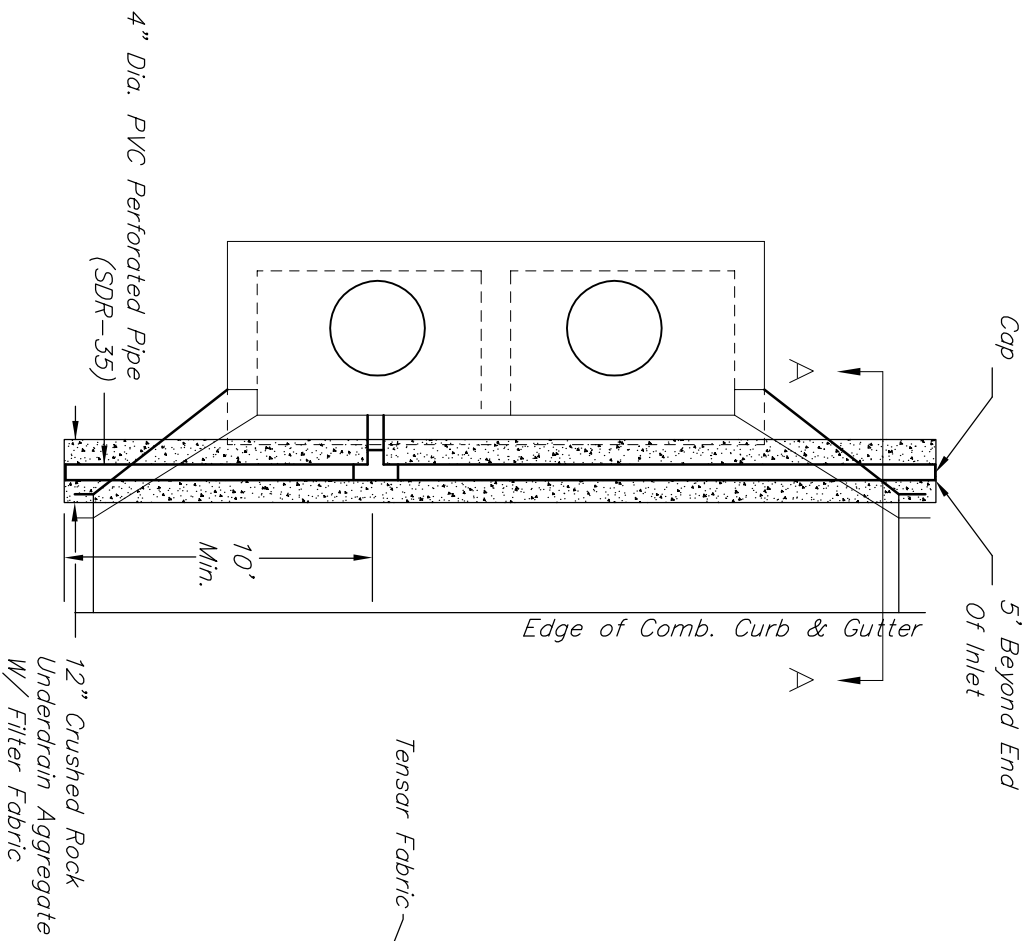
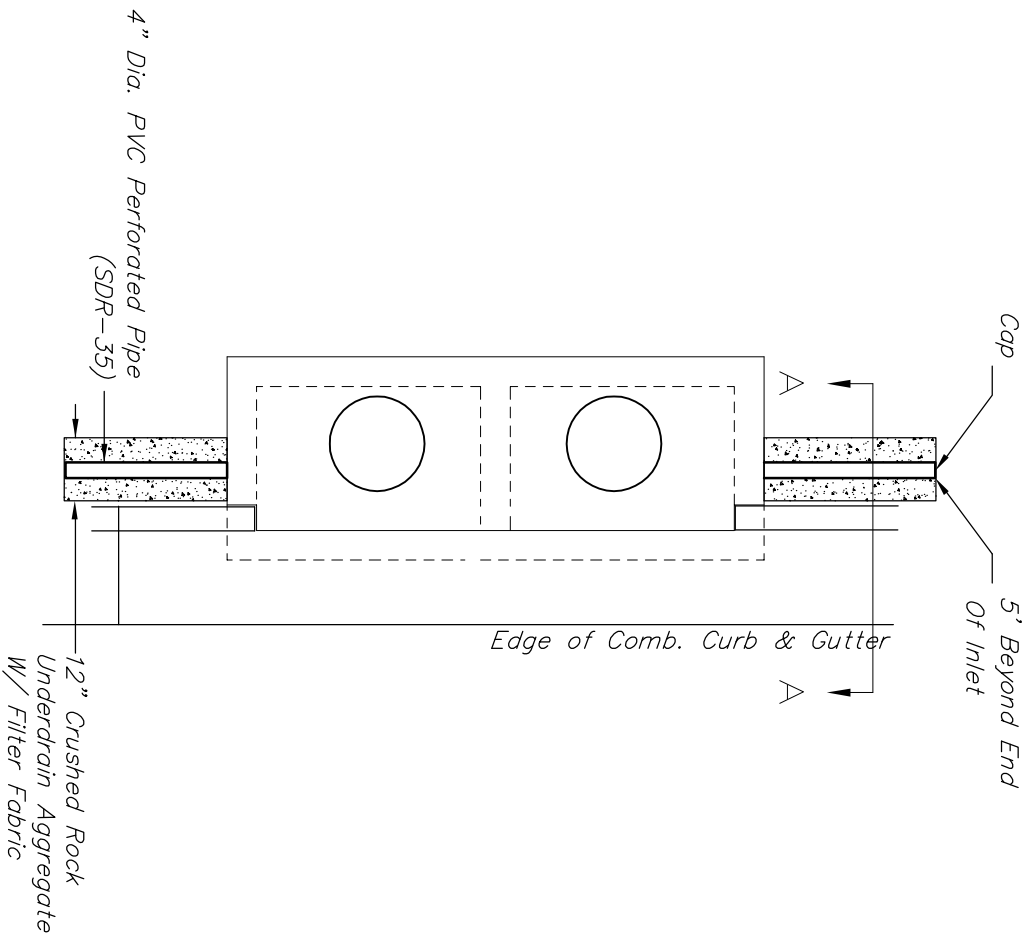
8" Min. Crushed Rock Underdrain Aggregate



Asphalt Surface  
Crushed Rock Subgrade  
Tensor Reinforcement  
8" Min. Crushed Rock Underdrain Aggregate

(Min. 16 Perforations Per Lin. Ft. @ 1/4" Dia.)  
Perforations To Be on Bottom Half

SECTION A-A

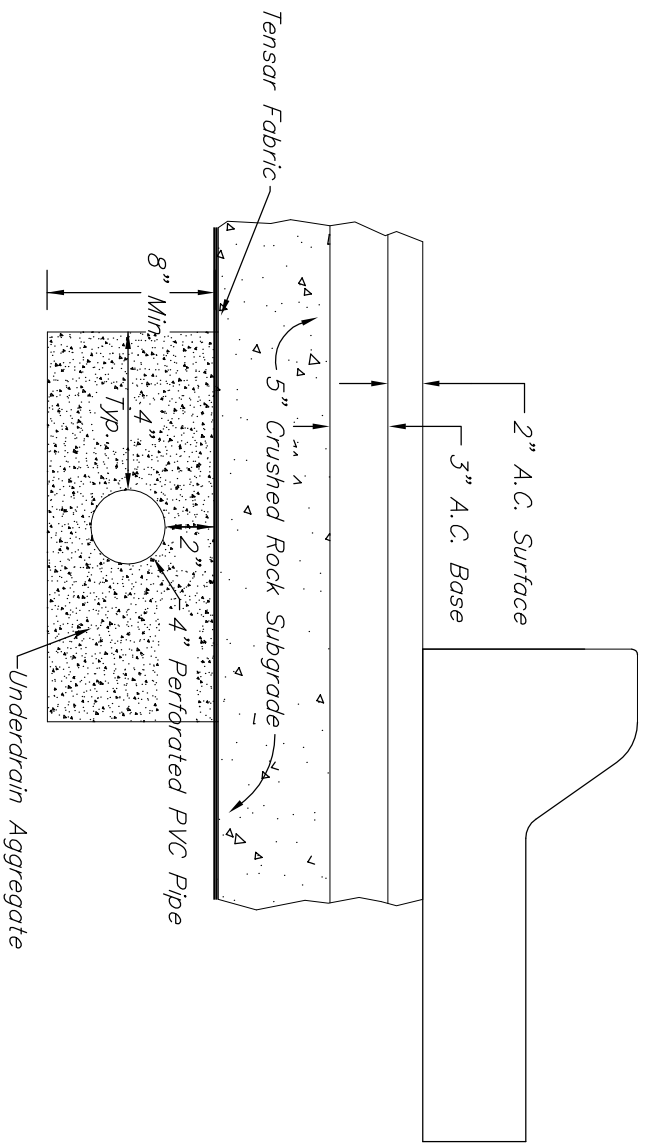


Rock Quality Shall Be The Same As Specified  
For Coarse Aggregate For Asphalt Concrete Mixes.

CRUSHED ROCK GRADATION REQUIREMENTS

Percent of Aggregate Retained

1 1/2"	0
3/4"	15-60
# 4	40-80
#40	74-92
P-200	4-12



Type 1 & 2 Inlet

Type 1-A Inlet

NOTE: Place 4" PVC Perforated Pipe at all drainage sump locations.

Cost of Underdrain System to be incidental to the Reinforced Crushed Rock Subgrade.

PAVEMENT UNDERDRAIN DETAIL

RECORD DRAWING  
1/9/2008 MLT

THE CITY OF WICHITA

PAVEMENT UNDERDRAIN DETAIL

JAMES L. ARMOUR, P.E. - CITY ENGINEER

PROJECT NUMBER: 179PPP INDEX CODE: 607879

DATE: MAR 07 SHEET 79 OF 94

REV. 11-22-00, MCG

No.	Date	By	Approved	Revision
1	1/9/08	MLT	JPD	Moved Curb Inlet South to New Location



POE & ASSOCIATES, INC.  
CONSULTING ENGINEERS  
5940 E. Central, Suite 200 ■ Wichita, KS 67208-4242  
Phone 316/685-4114 ■ FAX 316/685-4444

TERRADYNE WEST ADDITION  
STREET & STORM SEWER IMPROVEMENTS  
PAVEMENT UNDERDRAIN DETAILS  
CITY OF WICHITA, KANSAS  
JAMES L. ARMOUR, P.E. - CITY ENGINEER  
Private Project # 179PPP OCA# 607879

**FINAL**

Designed By: J. Ubert / J. Dickman  
Drawn By: M. Tucker  
Poe Job No.: 1809  
Date: April 2007

Sheet 79 of 94